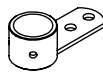


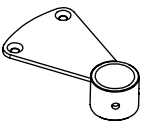
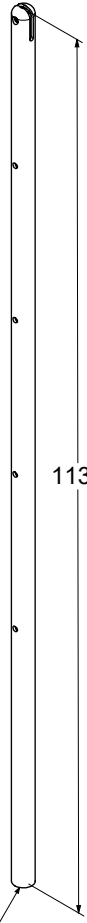



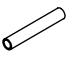



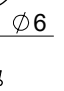
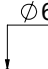
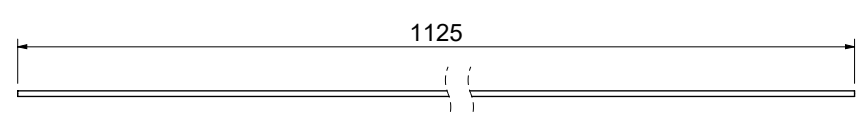

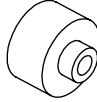








SIDE 2 BANISTER

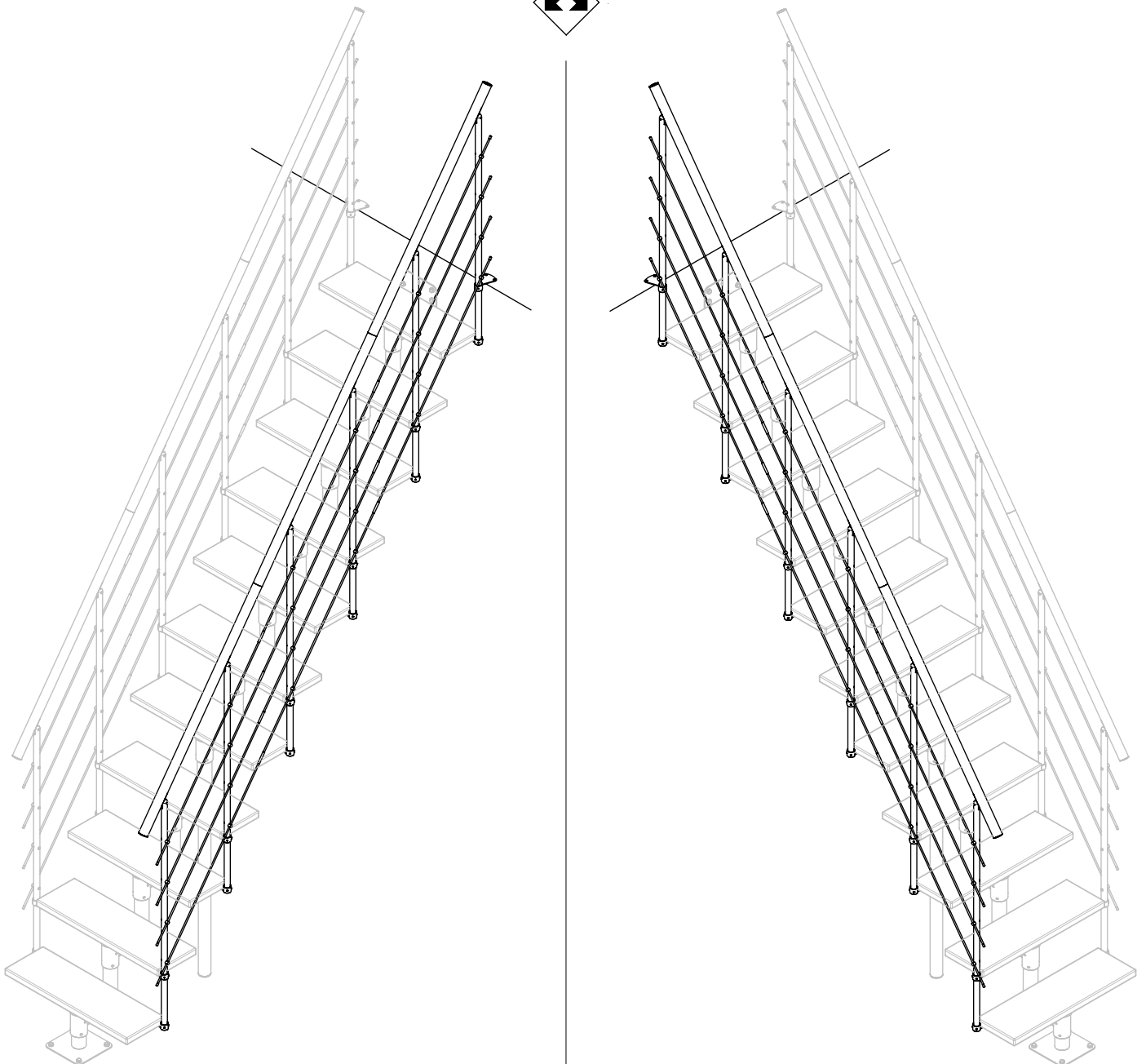
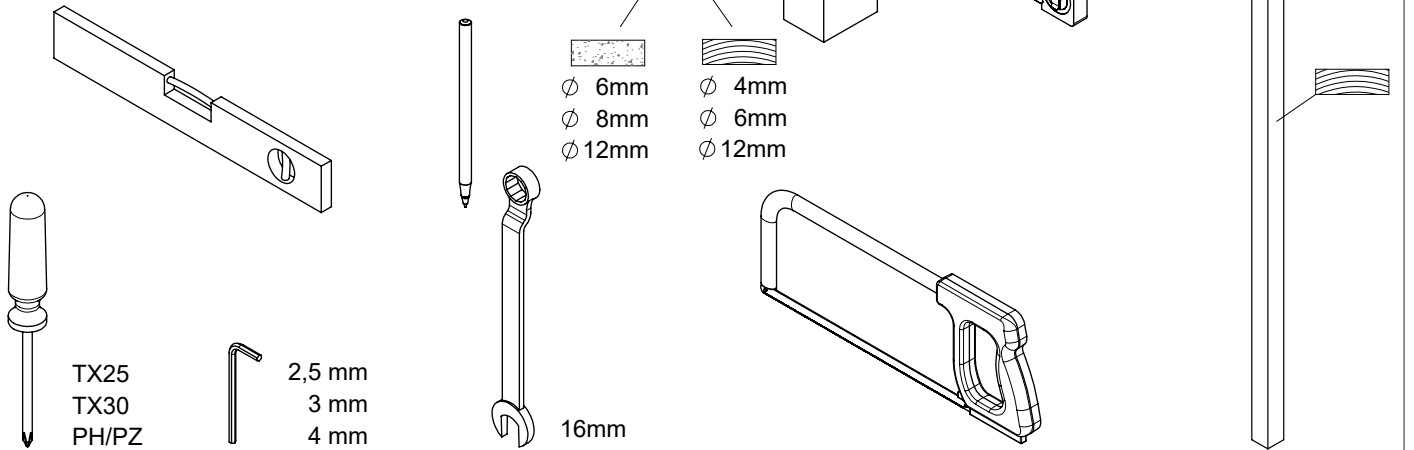
BOSTON

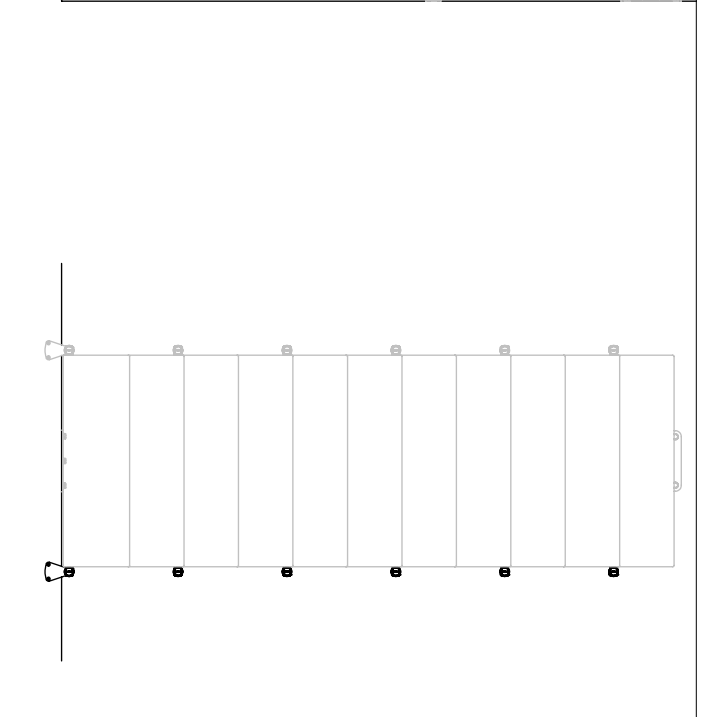
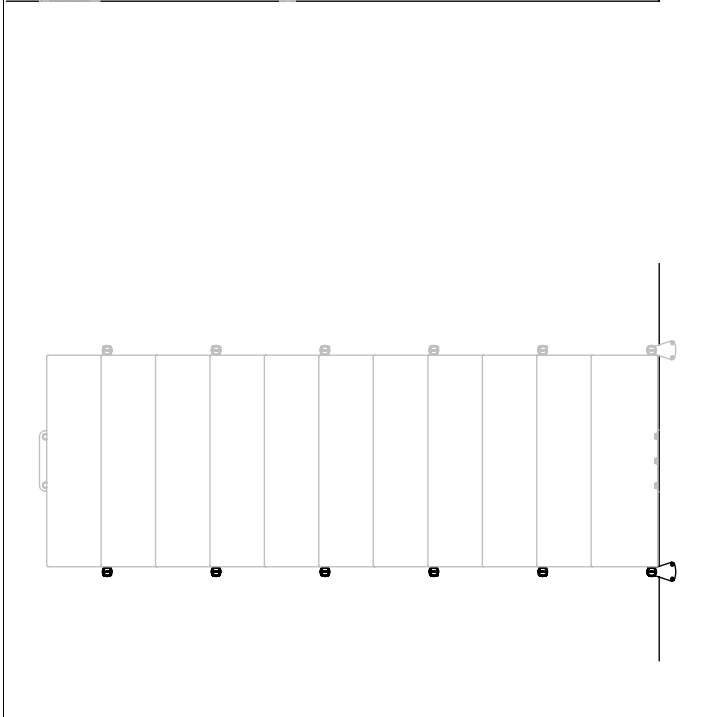
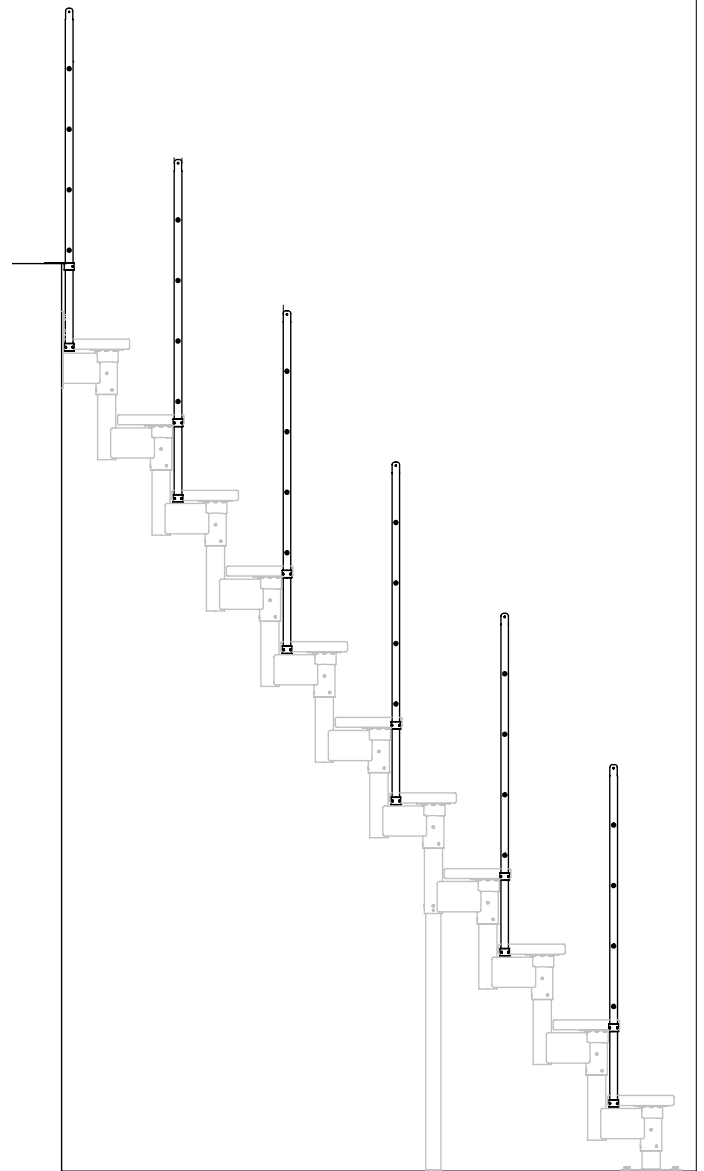
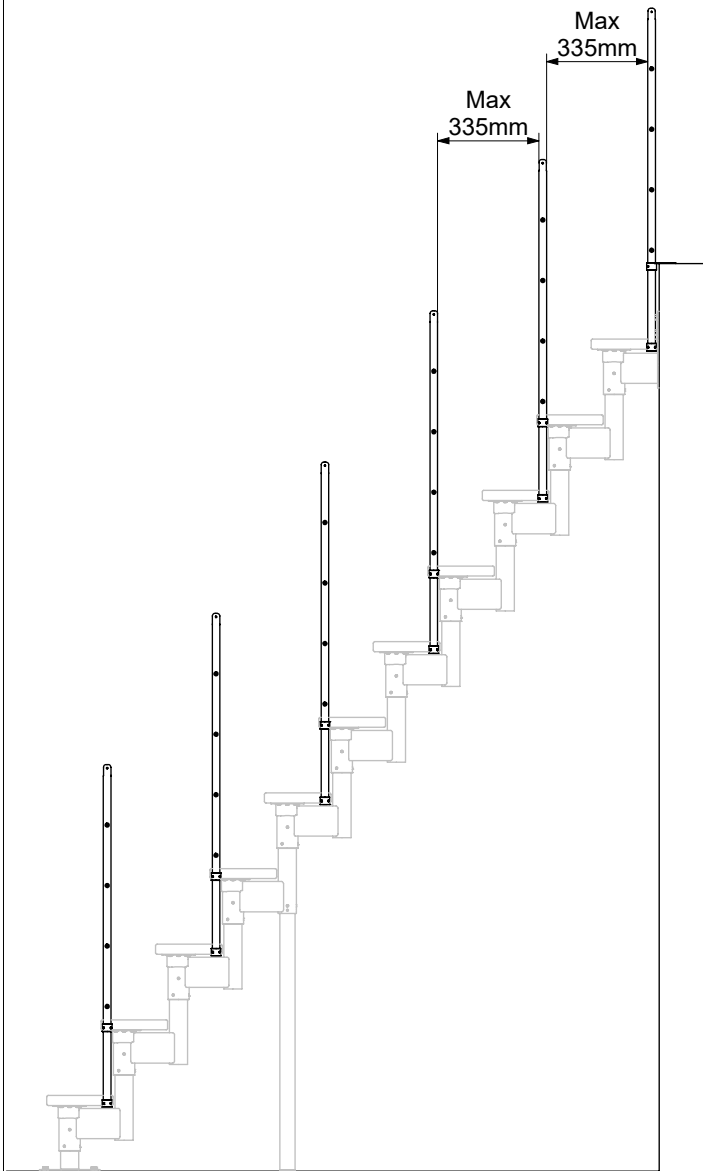
**INSTRUCTION / MONTAGEANLEITUNG
INSTRUKTION / INSTRUCCION / INSTRUKCJA**

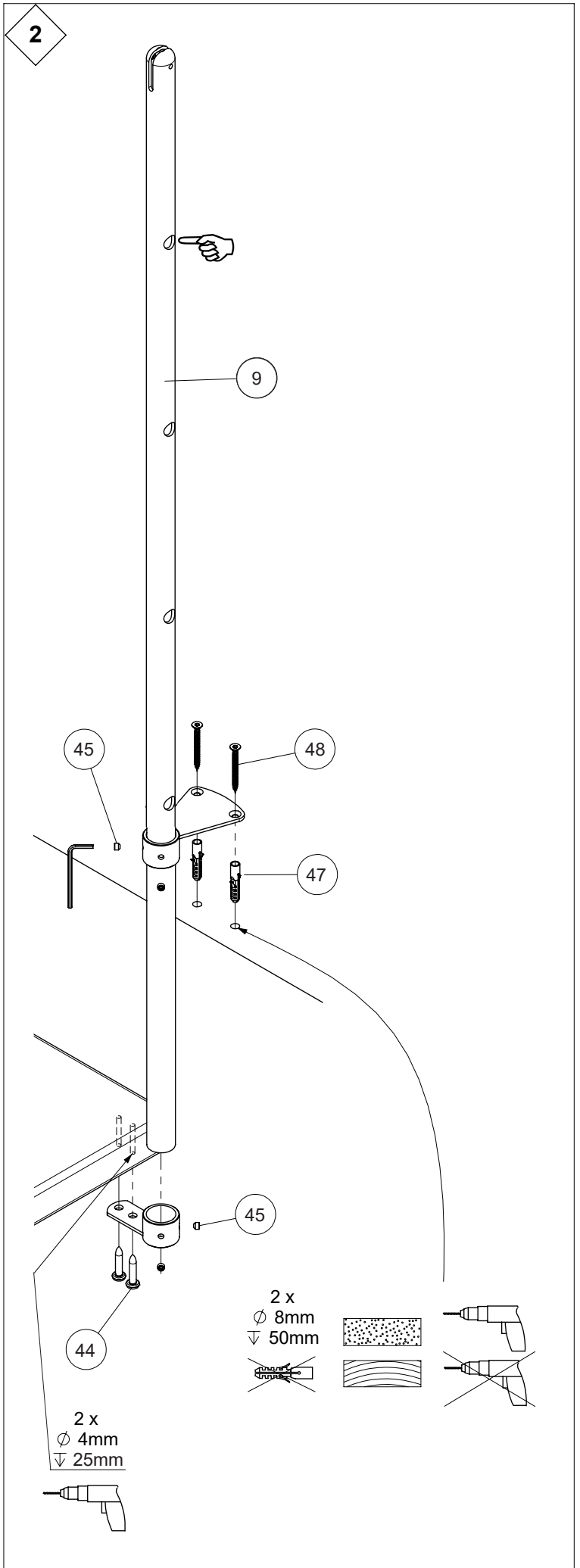
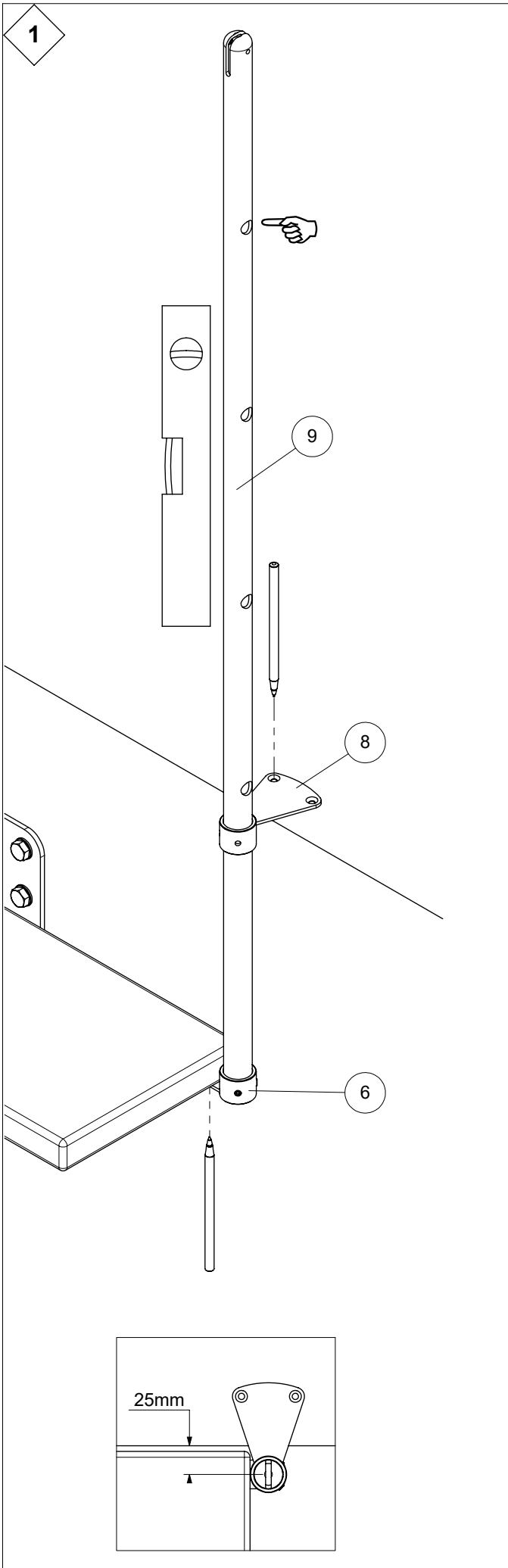
<p>6</p> <table border="1"> <tr><td>11</td><td>12</td><td>13</td></tr> <tr><td>11</td><td>13</td><td>13</td></tr> </table>  <p>K2-1077025 RAL 7016 K2-1077026 RAL 9005 K2-1077027 Pearl grey K2-1077028 RAL 9016</p>	11	12	13	11	13	13	<p>26</p> <table border="1"> <tr><td>11</td><td>12</td><td>13</td></tr> <tr><td>6</td><td>7</td><td>7</td></tr> </table>  <p>x 2 K3-08041</p>	11	12	13	6	7	7	<p>27</p>  <p>x 2 K1-1077150 RAL 7016 K1-1077151 RAL 9005 K1-1077152 Pearl grey K1-1077153 RAL 9016</p>												
11	12	13																								
11	13	13																								
11	12	13																								
6	7	7																								
<p>8</p>  <p>x 1 K2-1077030 RAL 7016 K2-1077031 RAL 9005 K2-1077032 Pearl grey K2-1077033 RAL 9016</p> <p>9</p>  <p>1133</p> <p>$\phi 25$</p>	<p>28</p>  <p>x 2 K3-08041</p>	<p>29</p>  <table border="1"> <tr><td>11</td><td>12</td><td>13</td></tr> <tr><td>24</td><td>28</td><td>28</td></tr> </table> <p>K1-04041</p>	11	12	13	24	28	28																		
11	12	13																								
24	28	28																								
<table border="1"> <tr><td>11</td><td>12</td><td>13</td></tr> <tr><td>6</td><td>7</td><td>7</td></tr> </table> <p>K1-1077130 RAL 7016 K1-1077131 RAL 9005 K1-1077132 Pearl grey K1-1077133 RAL 9016</p>	11	12	13	6	7	7	<p>30</p>  <p>x 8 K1-40296 Black / Schwarz / Noir / Sort K1-40396 White / Weiss / Blanc / Hvid</p>	<p>31</p>  <p>x 8 K1-14939</p>																		
11	12	13																								
6	7	7																								
<p>48</p>  <p>x 2 K3-06027 $\phi 5 \times 50 \text{ TX25}$</p> <p>49</p> <p>Strong glue Superkleber Seconde lijm Colle forte Superlim</p>  <p>x 1 K3-90001</p>	<p>32</p>  <p>$\phi 40$</p>  <p>1125</p> <p>x 3 K1-40200 Beech / Buche / Hêtre / Bøg - Oak / Eiche / Chêne / Eg</p>	<p>33</p>  <p>$\phi 6$</p>  <p>1125</p> <table border="1"> <tr><td>11</td><td>12</td><td>13</td></tr> <tr><td>12</td><td>16</td><td>16</td></tr> </table> <p>K1-14076</p>	11	12	13	12	16	16																		
11	12	13																								
12	16	16																								
<p>40</p>  <p>x 2 K3-08002 $\phi 8 \times 40$</p>	<p>44</p>  <table border="1"> <tr><td>11</td><td>12</td><td>13</td></tr> <tr><td>22</td><td>26</td><td>26</td></tr> </table> <p>K3-06130 $\phi 6 \times 30 \text{ TX30}$</p>	11	12	13	22	26	26	<p>45</p>  <table border="1"> <tr><td>11</td><td>12</td><td>13</td></tr> <tr><td>22</td><td>26</td><td>26</td></tr> </table> <p>K3-05056 M6 x 5</p>	11	12	13	22	26	26												
11	12	13																								
22	26	26																								
11	12	13																								
22	26	26																								
<p>50</p>  <p>x 1 K1-23345</p>	<p>51</p>  <table border="1"> <tr><td>11</td><td>12</td><td>13</td></tr> <tr><td>14</td><td>16</td><td>16</td></tr> </table> <p>K3-06022 FZB/BZP K3-10226 RAL 7016 K3-10405 RAL 9005 $\phi 5 \times 35 \text{ TX25}$</p>	11	12	13	14	16	16	<p>46</p>  <table border="1"> <tr><td>11</td><td>12</td><td>13</td></tr> <tr><td>6</td><td>7</td><td>7</td></tr> </table> <p>K3-05011 M5 x 20</p> <p>52</p>  <table border="1"> <tr><td>11</td><td>12</td><td>13</td></tr> <tr><td>6</td><td>7</td><td>7</td></tr> </table> <p>K3-02101 M5 x 25</p> <p>53</p>  <table border="1"> <tr><td>11</td><td>12</td><td>13</td></tr> <tr><td>24</td><td>28</td><td>28</td></tr> </table> <p>K1-04040 M6 x 16</p>	11	12	13	6	7	7	11	12	13	6	7	7	11	12	13	24	28	28
11	12	13																								
14	16	16																								
11	12	13																								
6	7	7																								
11	12	13																								
6	7	7																								
11	12	13																								
24	28	28																								

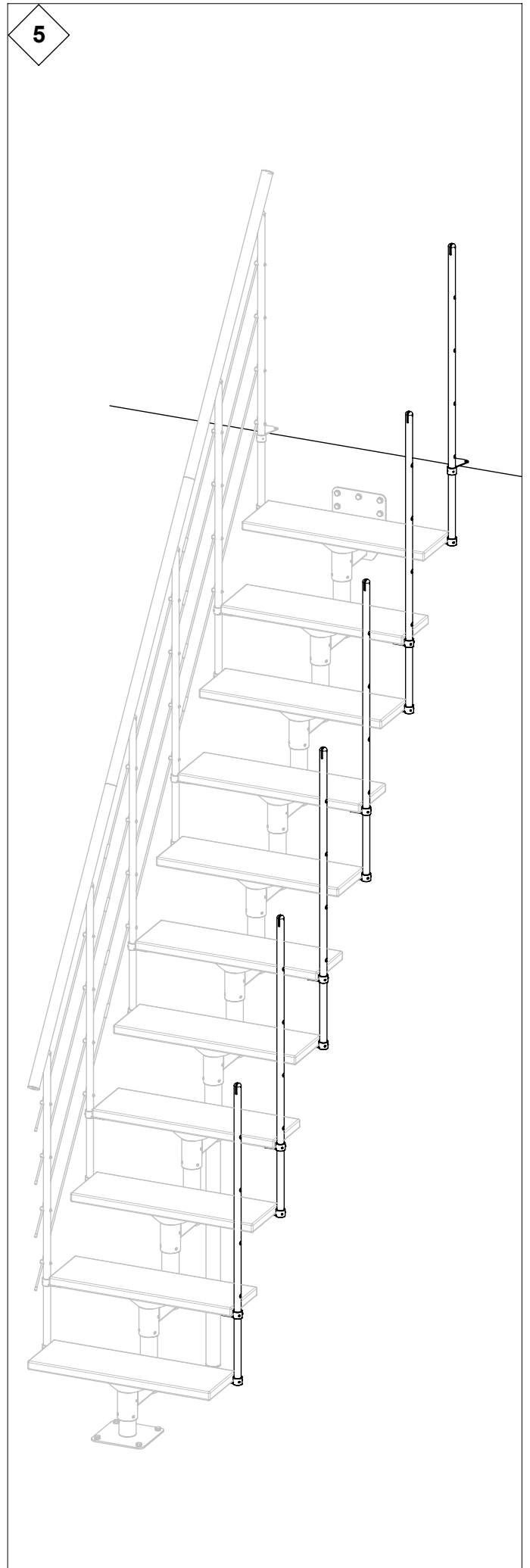
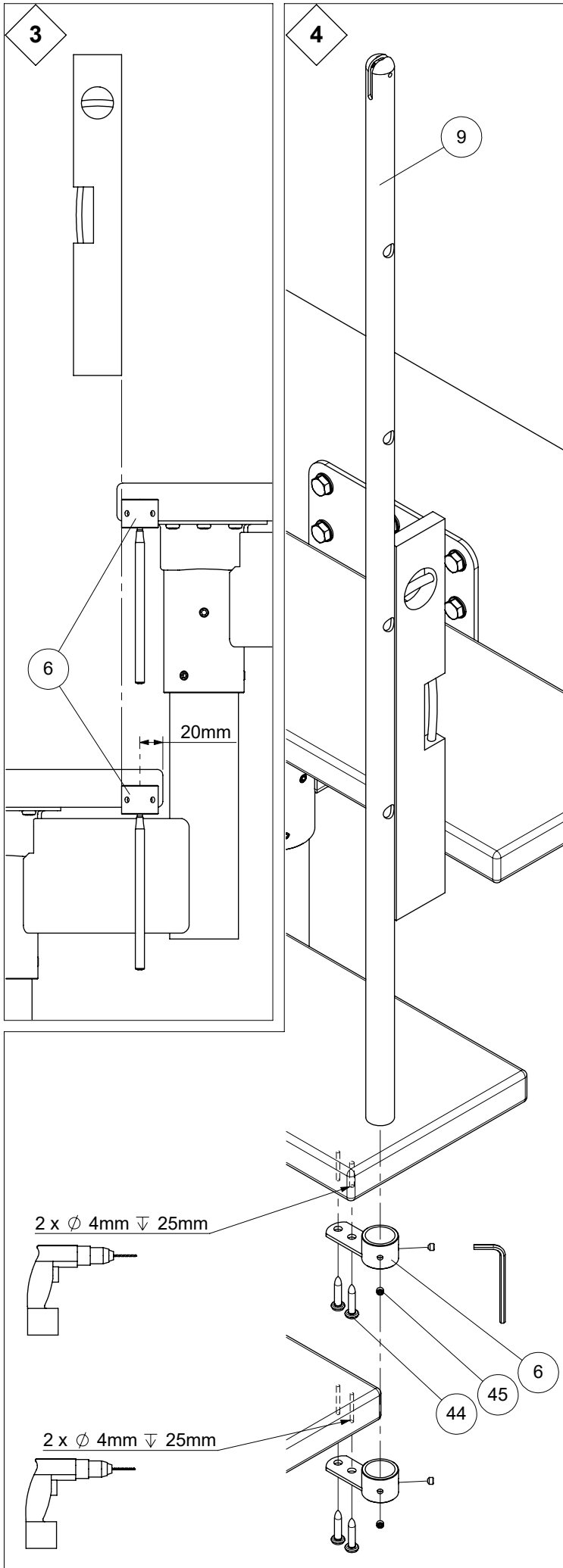


Tools not included!
 Werkzeuge nicht enthalten!
 Gereedschap niet inbegrepen!
 Outils non inclus!
 Værktøj ikke inkluderet!

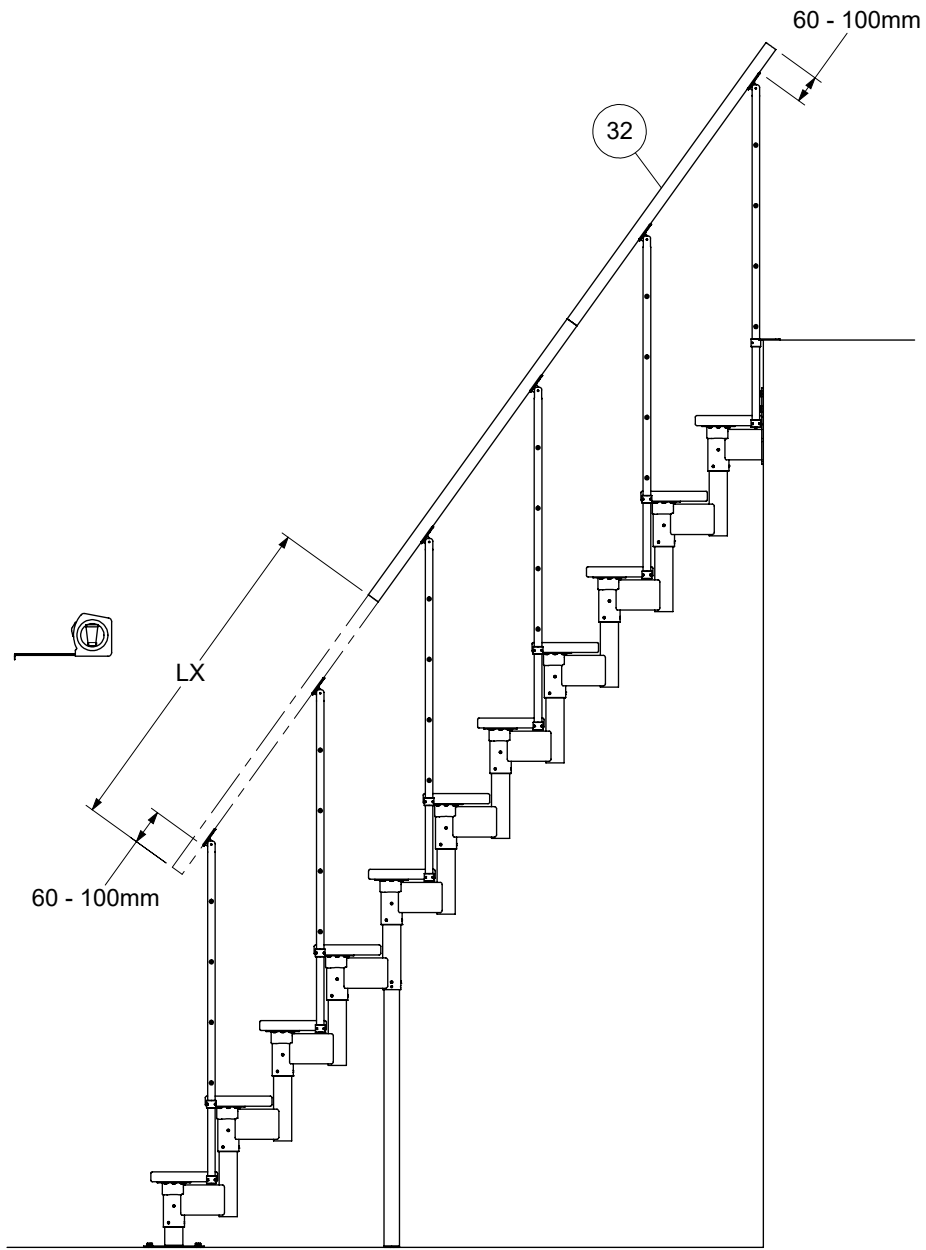




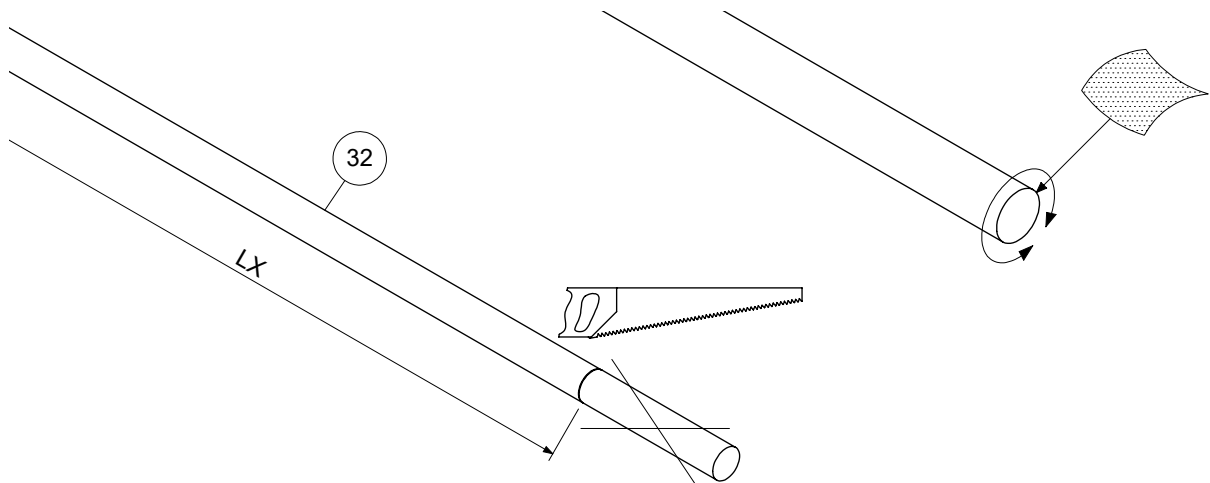


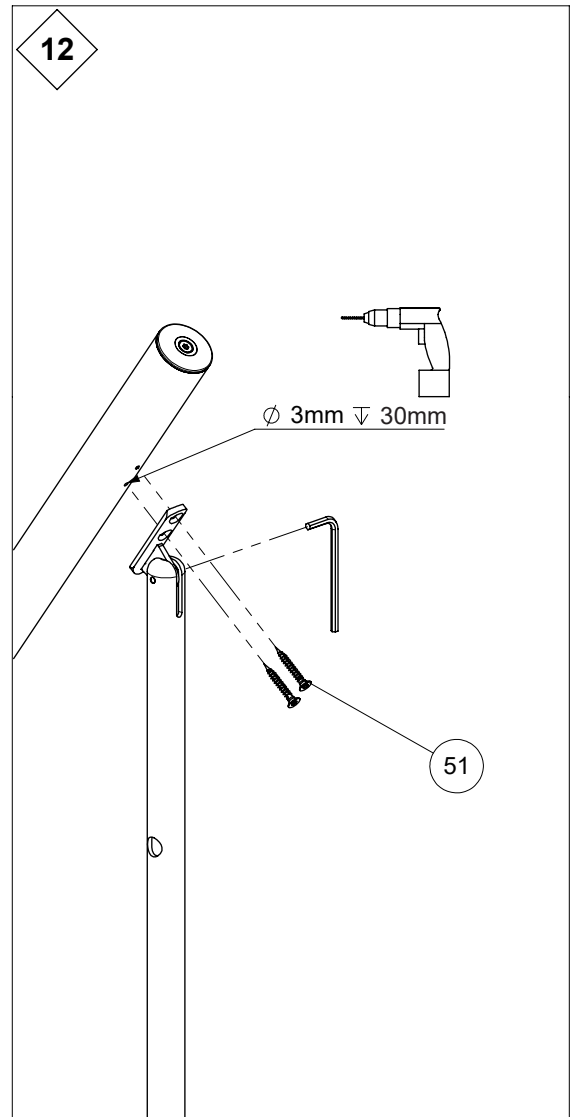
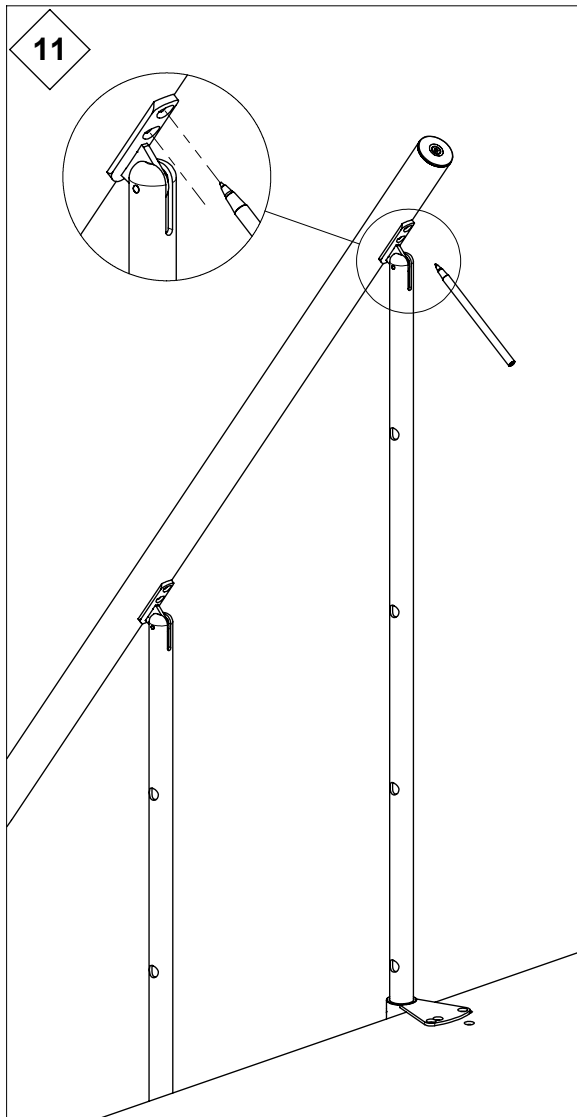
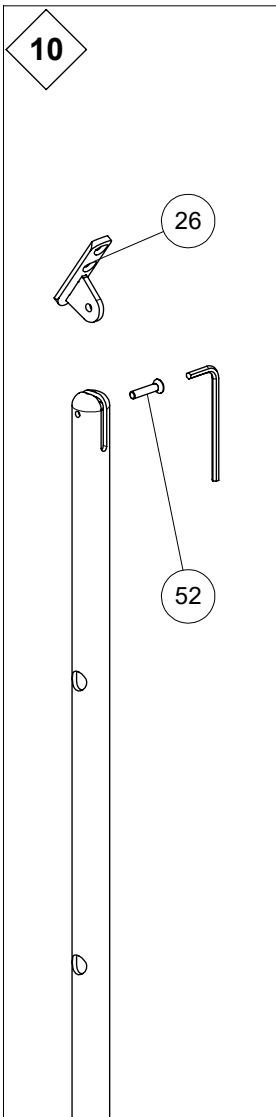
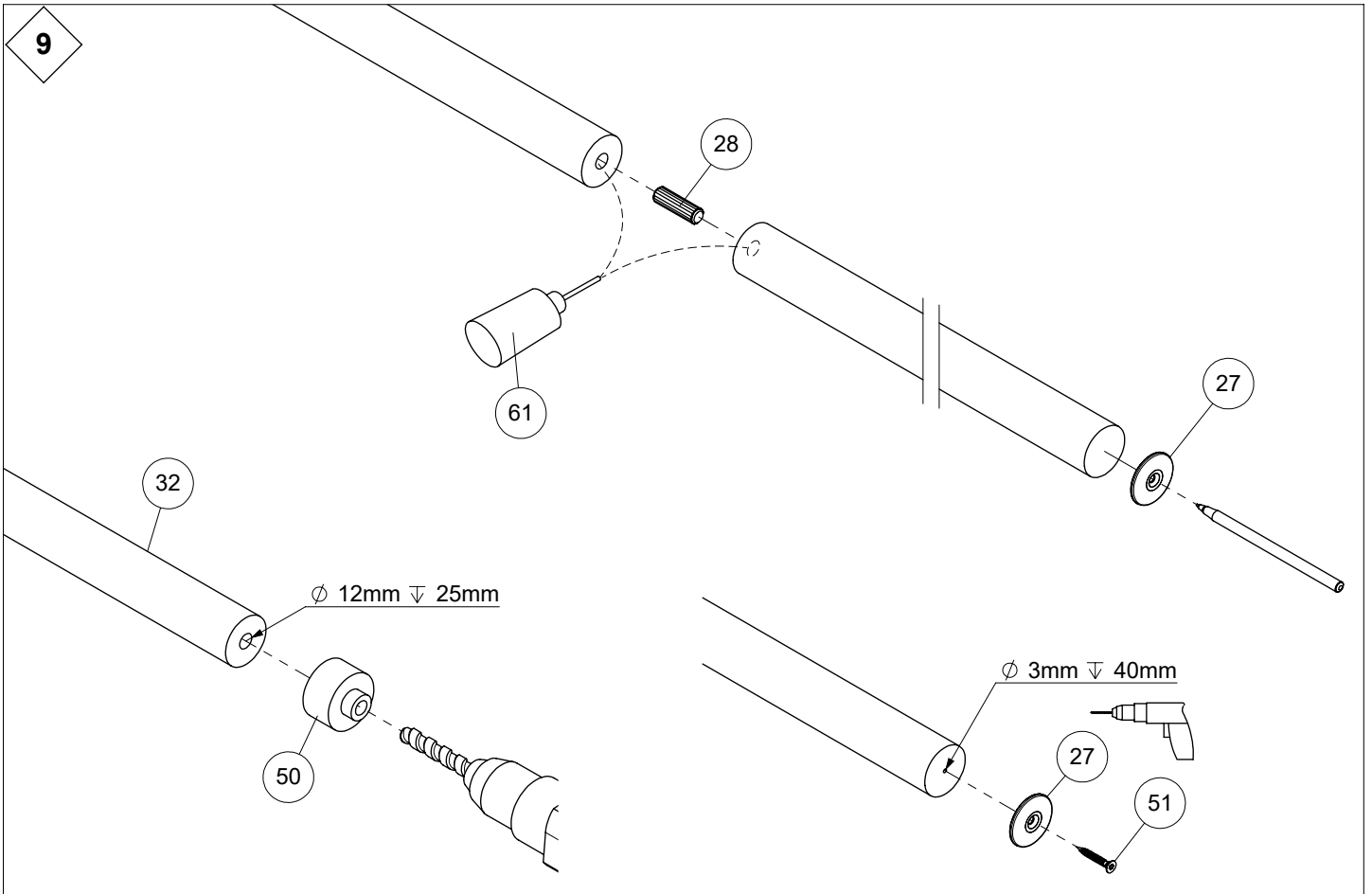


7

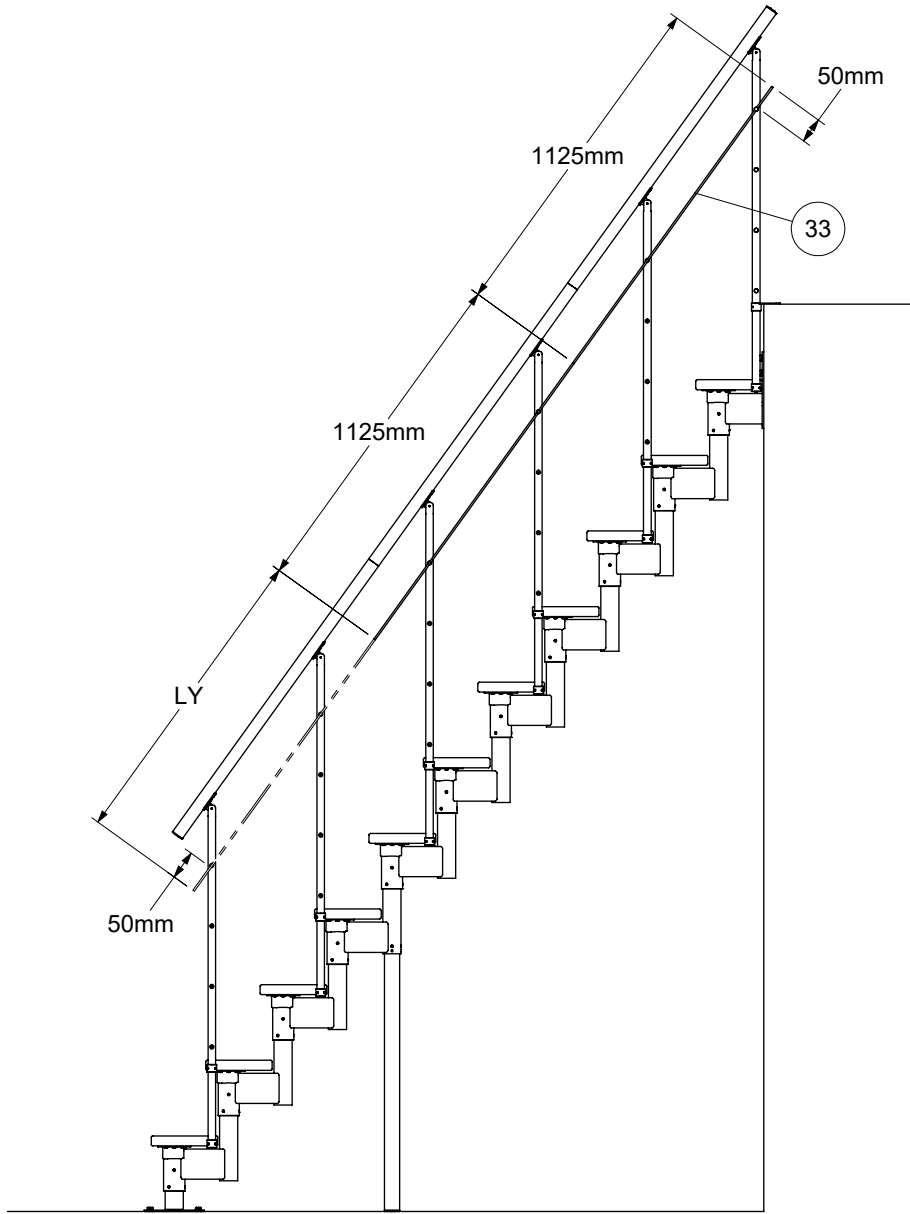


8





13



14

