



dolle.com/boston

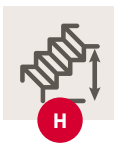
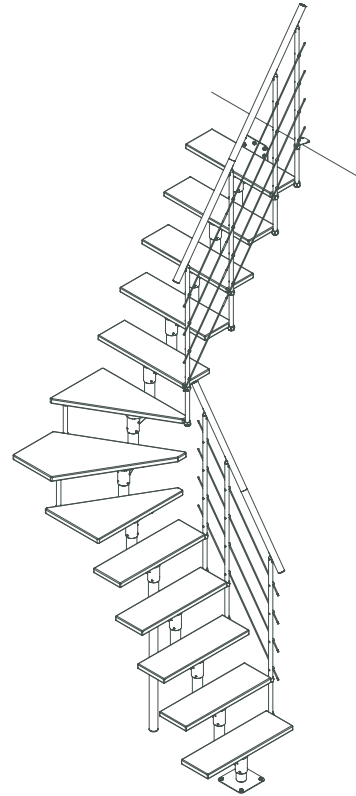
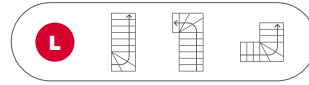
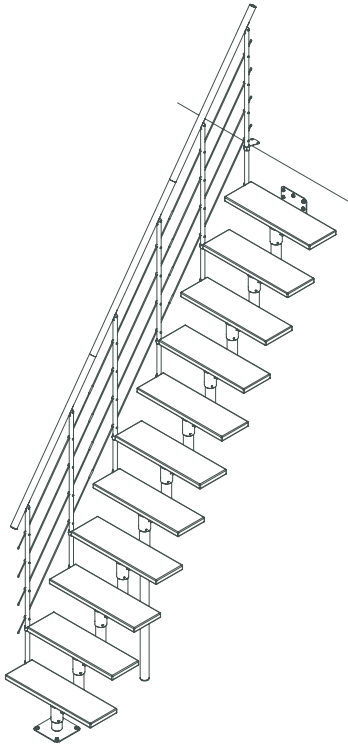
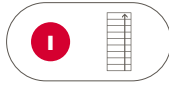


BOSTON

INSTRUCTION / MONTAGEANLEITUNG
INSTRUKTION / INSTRUCCIÒN / INSTRUKCJA

SOGEM[®]

PART OF DOLLE GROUP



| | | | |
|--|--------------------------------------------|--------------------|----------------------------|
| | Height floor-to-floor | Rise height | Number of treads |
| | Geschosshöhe | Steigungshöhe | Anzahl Stufen |
| | Hauteur sol-sol | Hauteur de marche | Nombre de marches |
| | Altura de suelo/suelo | Altura de peldaños | Numero de peldaños |
| | Altura do chão / chão | Altura do degrau | Número de etapas (degraus) |
| | Hoogte vloer/vloer | Hoogte trede | Aantal treden |
| | Etagehøjde | Stigningshøjde | Antal trin |
| | Golv till golv höjd | Stigningshöjd | Antal steg |
| | Wysokość kondygnacji od podłogi do podłogi | Wysokość stopnia | Ilość stopni |
| | Înălțime sol-sol | Înălțime treaptă | Număr trepte |
| | Výška patra podlaha-podlaha | Výška schodu | Počet nášlapů |
| | Высота от пола до пола | Шаг ступени | Кол-во ступеней |
| | Aukšto aukštis | Pakopos aukštis | Pakopų kiekis |
| | Stāva augstums | Pakāpiena augstums | Pakāpienu skaits |
| | Korruse kõrgus | Astme kõrgus | Astmete arv |
| | Višina nadstropja | Višina stopnice | Število stopnic |
| | Visina kata | Visina stepenice | Broj stepenica |
| | Výška podlažia | Výška stupňa | Počet stupňov |

1

x 1
 K2-1077100 RAL 7016
 K2-1077101 RAL 9005
 K2-1077102 Pearl grey
 K2-1077103 RAL 9016

2

| | | | |
|---|----|----|----|
| | 11 | 12 | 13 |
| x | 9 | 10 | 11 |

K2-1077105 RAL 7016
 K2-1077106 RAL 9005
 K2-1077107 Pearl grey
 K2-1077108 RAL 9016

3

x 1
 K2-1077115 RAL 7016
 K2-1077116 RAL 9005
 K2-1077117 Pearl grey
 K2-1077118 RAL 9016

4

x 1
 K2-1077010 RAL 7016
 K2-1077011 RAL 9005
 K2-1077012 Pearl grey
 K2-1077013 RAL 9016

5

x 1
 K1-1077145 RAL 7016
 K1-1077146 RAL 9005
 K1-1077147 Pearl grey
 K1-1077148 RAL 9016

6

| | | | |
|---|----|----|----|
| | 11 | 12 | 13 |
| I | 11 | 13 | 13 |
| L | 11 | 11 | 13 |

K2-1077025 RAL 7016
 K2-1077026 RAL 9005
 K2-1077027 Pearl grey
 K2-1077028 RAL 9016

7

x 1
 K1-1077140 RAL 7016
 K1-1077141 RAL 9005
 K1-1077142 Pearl grey
 K1-1077143 RAL 9016

8

x 1
 K2-1077030 RAL 7016
 K2-1077031 RAL 9005
 K2-1077032 Pearl grey
 K2-1077033 RAL 9016

9

| | | | |
|---|----|----|----|
| | 11 | 12 | 13 |
| I | 6 | 7 | 7 |
| L | 6 | 6 | 7 |

K1-1077130 RAL 7016
 K1-1077131 RAL 9005
 K1-1077132 Pearl grey
 K1-1077133 RAL 9016

21

| | |
|---|---|
| I | 0 |
| L | 1 |

M2-1078007 Beech / Buche / Hêtre / Bøg
 M2-1078017 Oak / Eiche / Chêne / Eg

20

| | | | |
|---|----|----|----|
| | 11 | 12 | 13 |
| I | 11 | 12 | 13 |
| L | 8 | 9 | 10 |

M2-1078001 Beech / Buche / Hêtre / Bøg
 M2-1078011 Oak / Eiche / Chêne / Eg

22

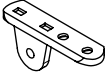

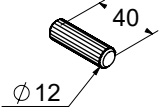


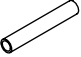

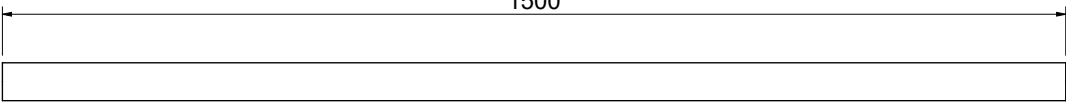

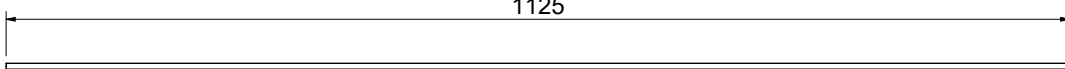
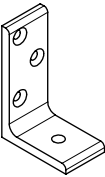
| | |
|---|---|
| I | 0 |
| L | 1 |



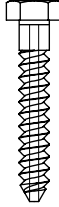

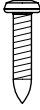




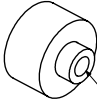




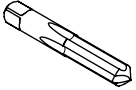



M2-1078008 Beech / Buche / Hêtre / Bøg
 M2-1078018 Oak / Eiche / Chêne / Eg

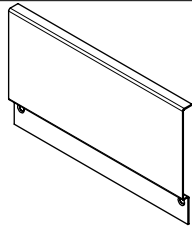
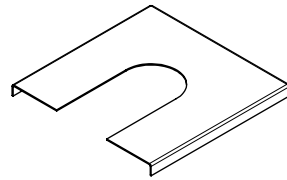



23

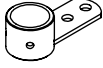
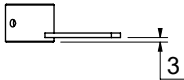
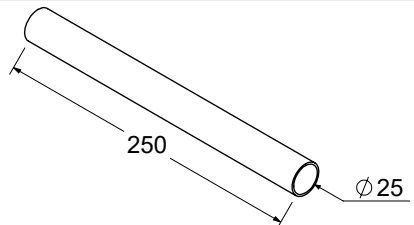
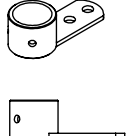


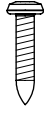

| | |
|---|---|
| I | 0 |
| L | 1 |

M2-1078009 Beech / Buche / Hêtre / Bøg
 M2-1078019 Oak / Eiche / Chêne / Eg

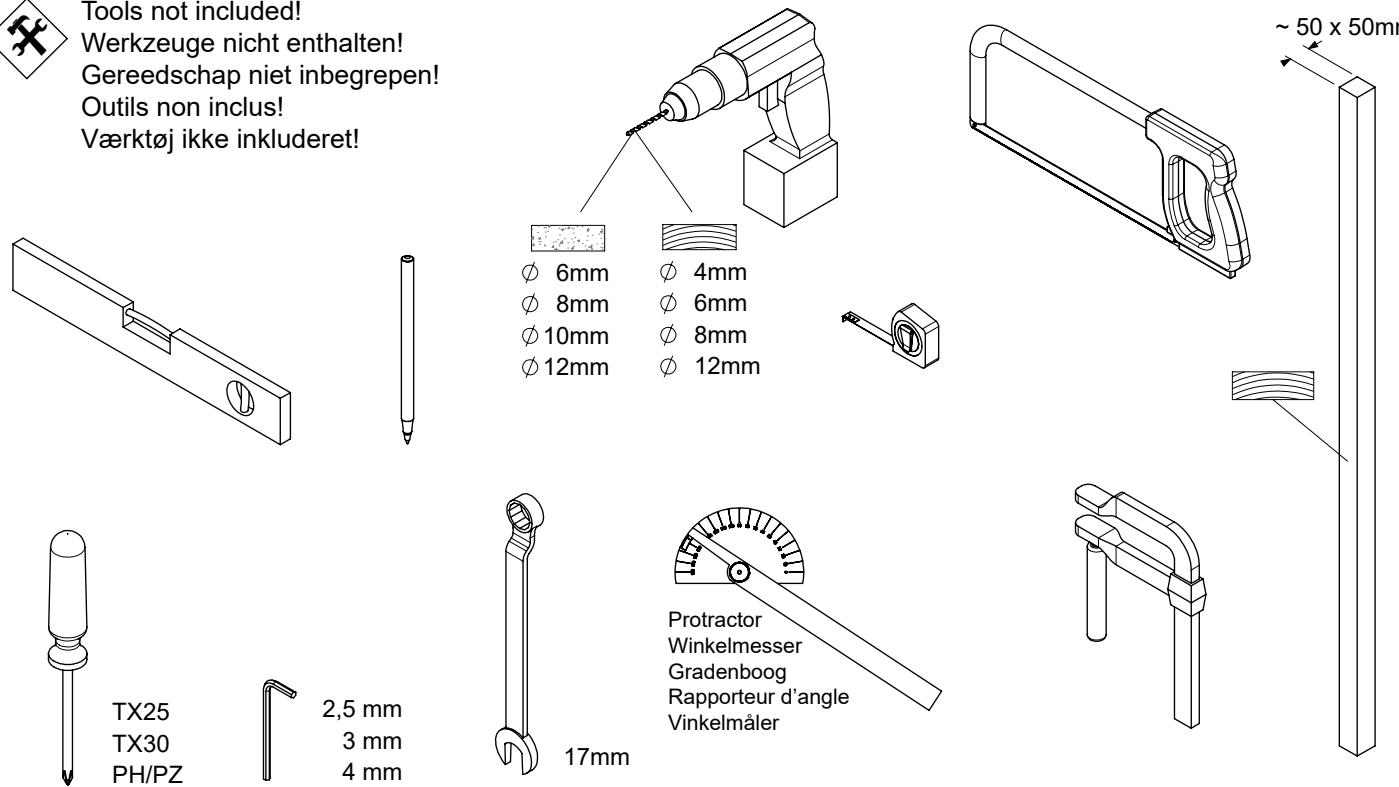
| | | | | | | | | | | | | | | | | | | | | | | | | | | |
|----------------------------------------------------------------------------------------------------------------------------------------------------------------------------------------------------------------------------------------------------------------------------------------------------------------------------------------------------------------------------------------------------------------------------------------------------------------------------|----|----|----|----|----|----|----|----|----|----|----|----|----------------------------------------------------------------------------------------------------------------------------------------------------------------------------------------------------------|------------------------------------------------------------------------------------------------------------------------------------------------------------------------------------------------------------------------------------------------------------------------------------------------------|--|----|----|----|---|---|----|----|---|---|---|----|
| <p>26</p> <table border="1"> <tr><td></td><td>11</td><td>12</td><td>13</td></tr> <tr><td>I</td><td>6</td><td>7</td><td>7</td></tr> <tr><td>L</td><td>6</td><td>6</td><td>7</td></tr> </table>  <p>K2-1077125 RAL 7016 K2-1077126 RAL 9005 K2-1077127 Pearl grey K2-1077128 RAL 9016</p> | | 11 | 12 | 13 | I | 6 | 7 | 7 | L | 6 | 6 | 7 | <p>27</p>  <p>x 4 K1-1077150 RAL 7016 K1-1077151 RAL 9005 K1-1077152 Pearl grey K1-1077153 RAL 9016</p> | <p>28</p>  <p>x 2 K3-08041</p> | | | | | | | | | | | | |
| | 11 | 12 | 13 | | | | | | | | | | | | | | | | | | | | | | | |
| I | 6 | 7 | 7 | | | | | | | | | | | | | | | | | | | | | | | |
| L | 6 | 6 | 7 | | | | | | | | | | | | | | | | | | | | | | | |
| <p>29</p> <table border="1"> <tr><td></td><td>11</td><td>12</td><td>13</td></tr> <tr><td>I</td><td>24</td><td>28</td><td>28</td></tr> <tr><td>L</td><td>24</td><td>24</td><td>28</td></tr> </table>  <p>K1-04041</p> | | 11 | 12 | 13 | I | 24 | 28 | 28 | L | 24 | 24 | 28 | <p>30</p>  <p>x 16 K1-40296 Black / Schwarz / Noir / Sort</p> | <p>31</p> <table border="1"> <tr><td></td><td>11</td><td>12</td><td>13</td></tr> <tr><td>I</td><td>8</td><td>12</td><td>12</td></tr> <tr><td>L</td><td>8</td><td>8</td><td>12</td></tr> </table>  <p>K1-14939</p> | | 11 | 12 | 13 | I | 8 | 12 | 12 | L | 8 | 8 | 12 |
| | 11 | 12 | 13 | | | | | | | | | | | | | | | | | | | | | | | |
| I | 24 | 28 | 28 | | | | | | | | | | | | | | | | | | | | | | | |
| L | 24 | 24 | 28 | | | | | | | | | | | | | | | | | | | | | | | |
| | 11 | 12 | 13 | | | | | | | | | | | | | | | | | | | | | | | |
| I | 8 | 12 | 12 | | | | | | | | | | | | | | | | | | | | | | | |
| L | 8 | 8 | 12 | | | | | | | | | | | | | | | | | | | | | | | |
| <p>32</p>  <p>Ø 40</p>  <p>1500</p> <table border="1"> <tr><td></td><td>11</td><td>12</td><td>13</td></tr> <tr><td>I</td><td>3</td><td>3</td><td>3</td></tr> <tr><td>L</td><td>2</td><td>3</td><td>3</td></tr> </table> <p>1078905 Beech / Buche / Hêtre / Bøg 1078915 Oak / Eiche / Chêne / Eg</p> | | | | 11 | 12 | 13 | I | 3 | 3 | 3 | L | 2 | 3 | 3 | | | | | | | | | | | | |
| | 11 | 12 | 13 | | | | | | | | | | | | | | | | | | | | | | | |
| I | 3 | 3 | 3 | | | | | | | | | | | | | | | | | | | | | | | |
| L | 2 | 3 | 3 | | | | | | | | | | | | | | | | | | | | | | | |
| <p>33</p>  <p>Ø 6</p>  <p>1125</p> <table border="1"> <tr><td></td><td>11</td><td>12</td><td>13</td></tr> <tr><td>I</td><td>12</td><td>16</td><td>16</td></tr> <tr><td>L</td><td>12</td><td>12</td><td>16</td></tr> </table> <p>K1-14076</p> | | | | 11 | 12 | 13 | I | 12 | 16 | 16 | L | 12 | 12 | 16 | | | | | | | | | | | | |
| | 11 | 12 | 13 | | | | | | | | | | | | | | | | | | | | | | | |
| I | 12 | 16 | 16 | | | | | | | | | | | | | | | | | | | | | | | |
| L | 12 | 12 | 16 | | | | | | | | | | | | | | | | | | | | | | | |
| <p>37</p> <p>x 2 K1-1077195 RAL 7016 K1-1077196 RAL 9005 K1-1077197 Pearl grey K1-1077198 RAL 9016</p>  | | | | | | | | | | | | | | | | | | | | | | | | | | |

| | | | | | | | | | | | | | | | | | | | | | | | | | | | |
|------------------------------------------------------------------------------------------------------------------------------------------------------------------------------------------------------------------------------------------------------------------------------------------------------------------------------------------------------|--------------------------------------------------------------------------------------------------------------------------------------------------------------------------------------------------------------|-----------------------------------------------------------------------------------------------------------------------------------------------------------------------------------------------------------|----------------------------------------------------------------------------------------------------------------------------------------------------------------------------------------------------------------------------------------------------------------------------------------------------------------------------------------------------------------|----|----|----|-----|-----|----|----|----|-----|-----------------------------------------------------------------------------------------------------------------------------------------------------------------------------------------------------------------------------------------------------------------------------------------------------------------------------------------------|----|----|----|----|---|----|----|----|---|----|----|----|------------------------------------------------------------------------------------------------------------------------------------|-----------------------------------------------------------------------------------------------------------------------------------|
| <p>40</p>  <p>x 10 K3-08001 Ø12 x 60</p> | <p>41</p>  <p>x 10 K3-04001 Ø10</p> | <p>42</p>  <p>x 10 K3-06003 Ø10 x 60</p> | <p>43</p>  <table border="1" data-bbox="1161 165 1342 248"> <tr><td></td><td>11</td><td>12</td><td>13</td></tr> <tr><td>I</td><td>61</td><td>66</td><td>71</td></tr> <tr><td>L</td><td>61</td><td>66</td><td>71</td></tr> </table> <p>K3-05003 M8 x 6</p> | | 11 | 12 | 13 | I | 61 | 66 | 71 | L | 61 | 66 | 71 | | | | | | | | | | | | |
| | 11 | 12 | 13 | | | | | | | | | | | | | | | | | | | | | | | | |
| I | 61 | 66 | 71 | | | | | | | | | | | | | | | | | | | | | | | | |
| L | 61 | 66 | 71 | | | | | | | | | | | | | | | | | | | | | | | | |
| <p>44</p> <table border="1" data-bbox="76 394 256 477"> <tr><td></td><td>11</td><td>12</td><td>13</td></tr> <tr><td>I</td><td>90</td><td>100</td><td>106</td></tr> <tr><td>L</td><td>90</td><td>96</td><td>106</td></tr> </table>  <p>K3-06130 Ø6 x 30 TX30</p> | | 11 | 12 | 13 | I | 90 | 100 | 106 | L | 90 | 96 | 106 | <p>45</p> <table border="1" data-bbox="438 394 619 477"> <tr><td></td><td>11</td><td>12</td><td>13</td></tr> <tr><td>I</td><td>24</td><td>28</td><td>28</td></tr> <tr><td>L</td><td>24</td><td>24</td><td>28</td></tr> </table>  <p>K3-05056 M6 x 5</p> | | 11 | 12 | 13 | I | 24 | 28 | 28 | L | 24 | 24 | 28 | | <p>47</p>  <p>x 2 K3-08002 Ø8 x 40</p> |
| | 11 | 12 | 13 | | | | | | | | | | | | | | | | | | | | | | | | |
| I | 90 | 100 | 106 | | | | | | | | | | | | | | | | | | | | | | | | |
| L | 90 | 96 | 106 | | | | | | | | | | | | | | | | | | | | | | | | |
| | 11 | 12 | 13 | | | | | | | | | | | | | | | | | | | | | | | | |
| I | 24 | 28 | 28 | | | | | | | | | | | | | | | | | | | | | | | | |
| L | 24 | 24 | 28 | | | | | | | | | | | | | | | | | | | | | | | | |
| <p>48</p>  <p>x 2 K3-06027 Ø5 x 50 TX25</p> | <p>49</p>  <p>Strong glue Superkleber Seconde lijm Colle forte Superlim</p> <p>x 1 K3-90001 3 g</p> | <p>50</p>  <p>Ø 11,2mm</p> <p>x 1 K1-23345</p> | <p>51</p> <table border="1" data-bbox="1161 618 1310 701"> <tr><td></td><td>11</td><td>12</td><td>13</td></tr> <tr><td>I</td><td>22</td><td>24</td><td>24</td></tr> <tr><td>L</td><td>22</td><td>22</td><td>24</td></tr> </table>  <p>K3-06022 FZB/BZP Ø5 x 35 TX25</p> | | 11 | 12 | 13 | I | 22 | 24 | 24 | L | 22 | 22 | 24 | | | | | | | | | | | | |
| | 11 | 12 | 13 | | | | | | | | | | | | | | | | | | | | | | | | |
| I | 22 | 24 | 24 | | | | | | | | | | | | | | | | | | | | | | | | |
| L | 22 | 22 | 24 | | | | | | | | | | | | | | | | | | | | | | | | |
| <p>52</p> <table border="1" data-bbox="76 855 256 938"> <tr><td></td><td>11</td><td>12</td><td>13</td></tr> <tr><td>I</td><td>6</td><td>7</td><td>7</td></tr> <tr><td>L</td><td>6</td><td>6</td><td>7</td></tr> </table>  <p>K3-02101 M5 x 25</p> | | 11 | 12 | 13 | I | 6 | 7 | 7 | L | 6 | 6 | 7 | <p>53</p> <table border="1" data-bbox="438 855 619 938"> <tr><td></td><td>11</td><td>12</td><td>13</td></tr> <tr><td>I</td><td>24</td><td>28</td><td>28</td></tr> <tr><td>L</td><td>24</td><td>24</td><td>28</td></tr> </table>  <p>K1-04040 M6 x 16</p> | | 11 | 12 | 13 | I | 24 | 28 | 28 | L | 24 | 24 | 28 | <p>54</p>  <p>x 2 K3-08004 Ø10 x 60</p> | <p>55</p>  <p>x 1 K3-10010 M8</p> |
| | 11 | 12 | 13 | | | | | | | | | | | | | | | | | | | | | | | | |
| I | 6 | 7 | 7 | | | | | | | | | | | | | | | | | | | | | | | | |
| L | 6 | 6 | 7 | | | | | | | | | | | | | | | | | | | | | | | | |
| | 11 | 12 | 13 | | | | | | | | | | | | | | | | | | | | | | | | |
| I | 24 | 28 | 28 | | | | | | | | | | | | | | | | | | | | | | | | |
| L | 24 | 24 | 28 | | | | | | | | | | | | | | | | | | | | | | | | |
| <p>59</p>  <p>x 2 K3-04028 Ø8</p> | <p>60</p>  <p>x 2 K3-06015 Ø8 x 70</p> | <p>61</p>  <p>Wood glue Holzkleber Houtlijm Colle à bois Trælím</p> <p>x 1 K3-90005 40 ml</p> | | | | | | | | | | | | | | | | | | | | | | | | | |

| OPTION MÖGLICHKEIT OPTIE | OPTION MULIGHED | Cover kit Abdeckkappen Afdekkitt | Kit de couverture Afdækningskit |
|----------------------------------------------------------------------------------------------------------------------------------------------------------------------------------|---------------------------------------------------------------------------------------------------------------------------------|------------------------------------------------------------------------------------------------------------------------------------------------------------------------------------|------------------------------------|
| <p>10</p> <p>x 1 K1-1077070 RAL 7016 K1-1077071 RAL 9005 K1-1077072 Pearl grey</p>  | | <p>11</p> <p>x 1 K1-1077075 RAL 7016 K1-1077076 RAL 9005 K1-1077077 Pearl grey</p>  | |
| <p>51</p> <p>x 2 K3-06022 Ø5 x 35</p>  | <p>56</p> <p>x 2 K3-08006 Ø6 x 40</p>  | <p>58</p> <p>x 8 R3-20590</p>  | |

| OPTION MÖGLICHKEIT OPTIE OPTION MULIGHED | Connection kit for 1/4 turn Verbindungssatz für 1/4-gewendelt Aansluitkit voor 1/4 slag Kit de connexion pour 1/4 tournant Forbindersæt til 1/4-sving | | | |
|------------------------------------------------------------------------------------------------------------------------------------------------------------------------------------------------------------|------------------------------------------------------------------------------------------------------------------------------------------------------------------------------------------------------------|-------------------------------------------------------------------------------------------------------------------------------------------------------------------------------------------------------------|------------------------------------------------------------------------------------------------------------------------------------------|------------------------------------------------------------------------------------------------------------------------------------|
| <p>6</p> <p>x 2 K2-1077025 RAL 7016 K2-1077026 RAL 9005 K2-1077027 Pearl grey K2-1077028 RAL 9016</p>  |  | <p>34</p> <p>x 2 K1-1077690 RAL 7016 K1-1077691 RAL 9005 K1-1077692 Pearl grey K1-1077693 RAL 9016</p>  | | |
| <p>35</p> <p>x 2 K2-1077695 RAL 7016 K2-1077696 RAL 9005 K2-1077697 Pearl grey K2-1077698 RAL 9016</p>  | <p>36</p> <p>x 2 K1-1077045 RAL 7016 K1-1077046 RAL 9005 K1-1077047 Pearl grey K1-1077048 RAL 9016</p>  |  | <p>44</p> <p>x 8 K3-06130 Ø6 x 30 TX30</p>  | <p>45</p> <p>x 8 K3-05056 M6 x 5</p>  |

Tools not included!
Werkzeuge nicht enthalten!
Gereedschap niet inbegrepen!
Outils non inclus!
Værktøj ikke inkluderet!



Ø 6mm Ø 4mm
 Ø 8mm Ø 6mm
 Ø 10mm Ø 8mm
 Ø 12mm Ø 12mm

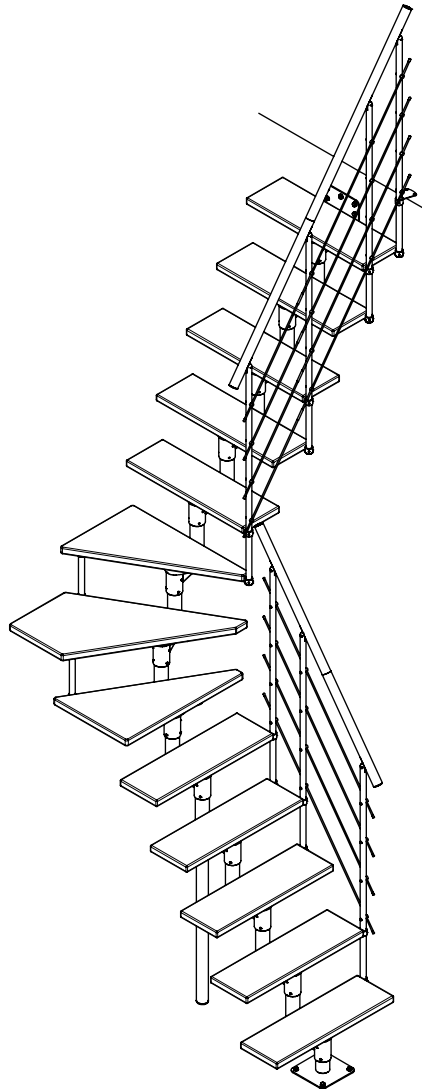
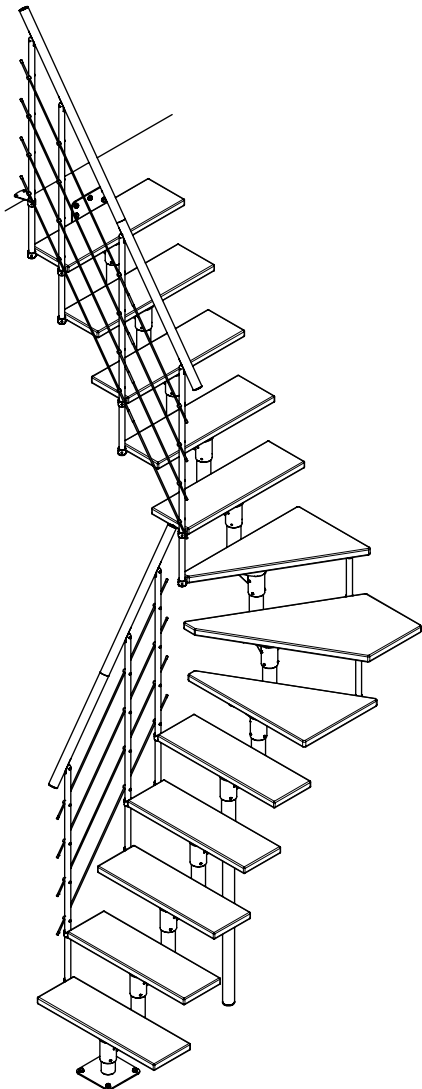
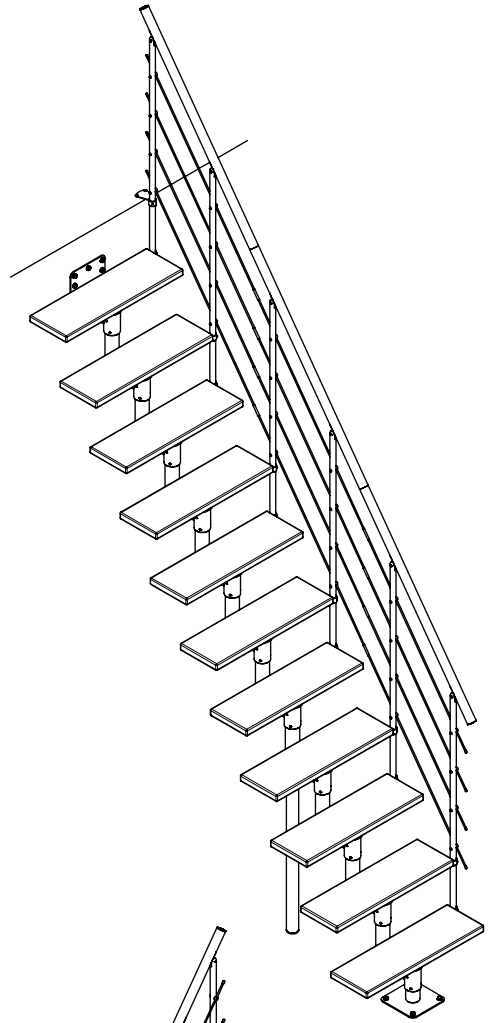
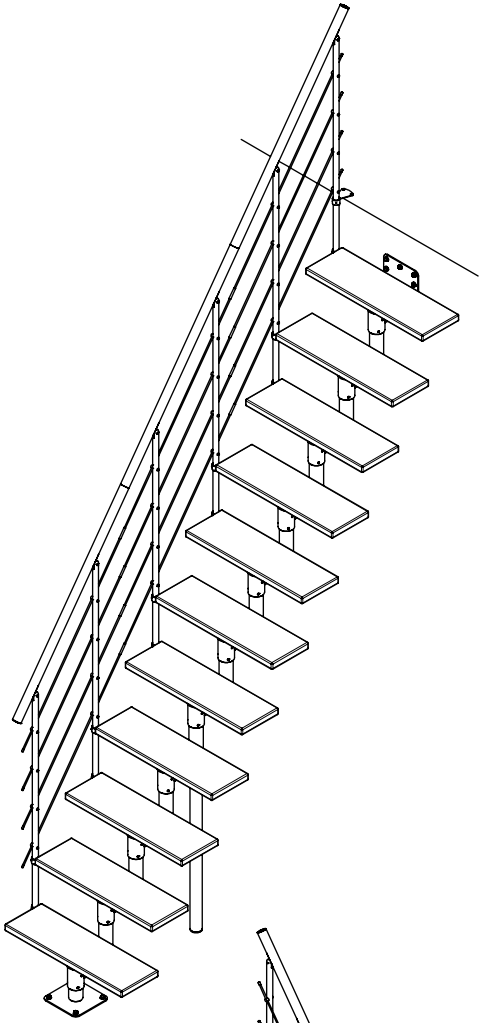
TX25
 TX30
 PH/PZ

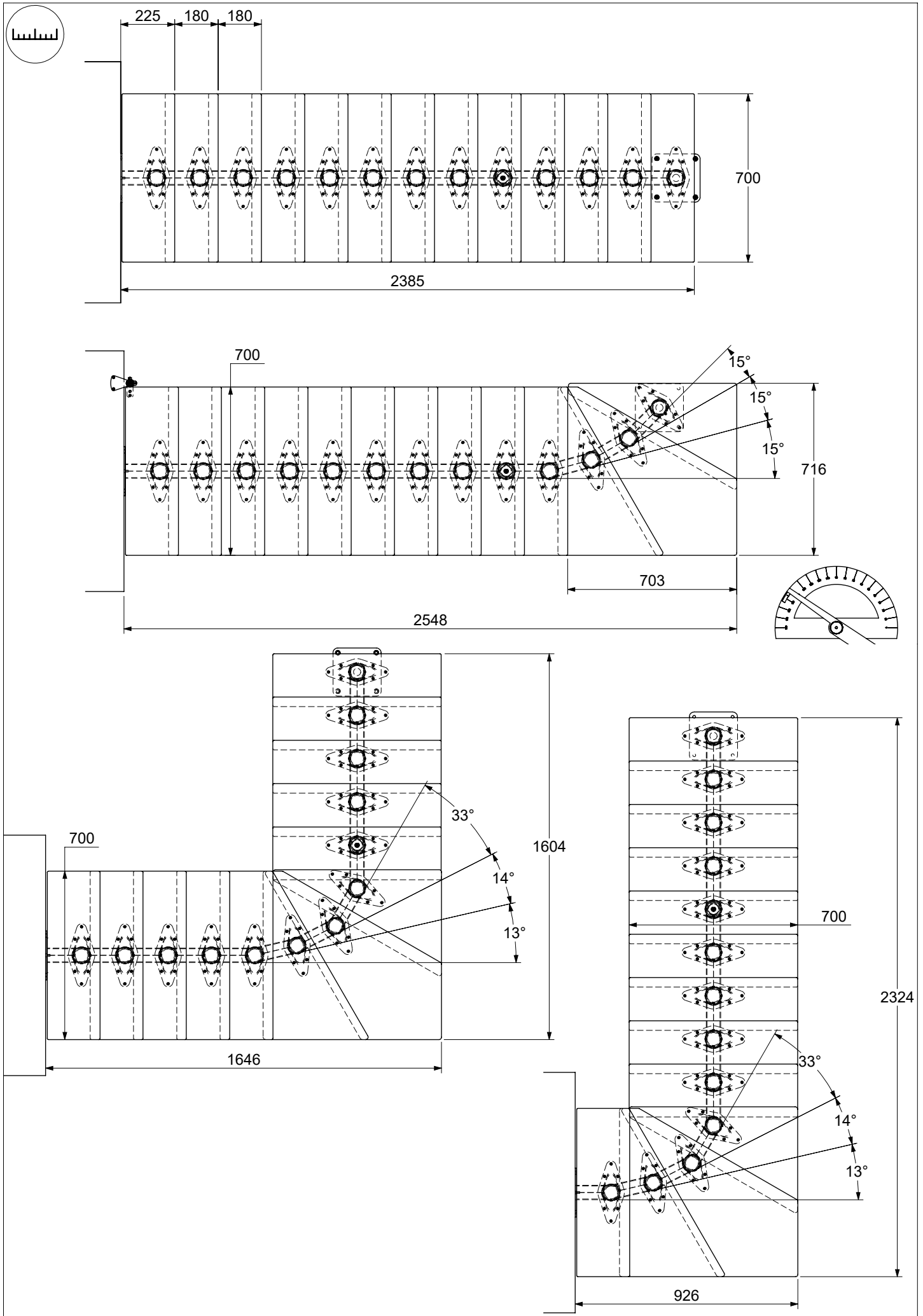
2,5 mm
 3 mm
 4 mm

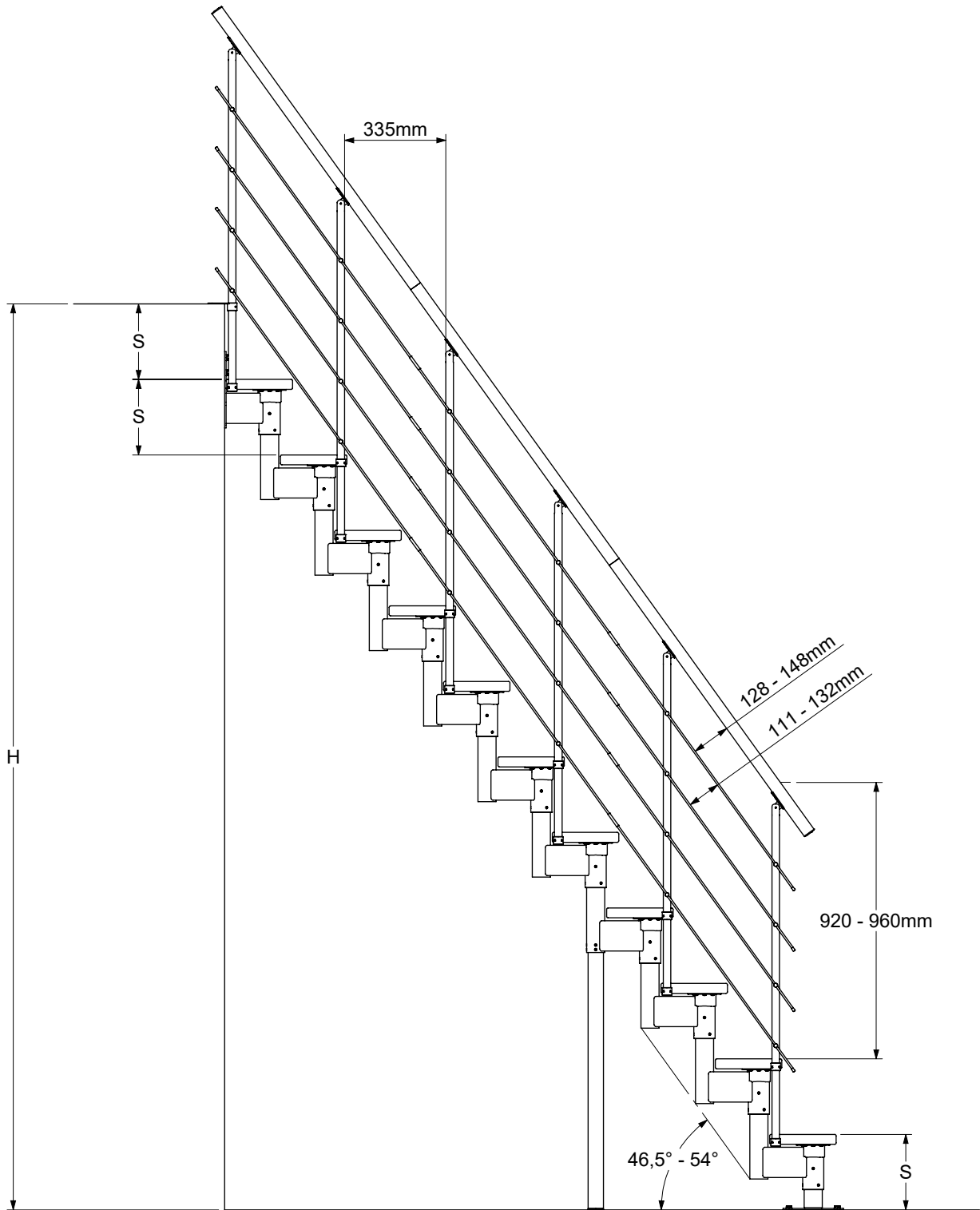
17mm

Protractor
 Winkelmesser
 Gradenboog
 Rapporteur d'angle
 Vinkelmåler

~ 50 x 50mm







$$S = \frac{H}{T + 1}$$

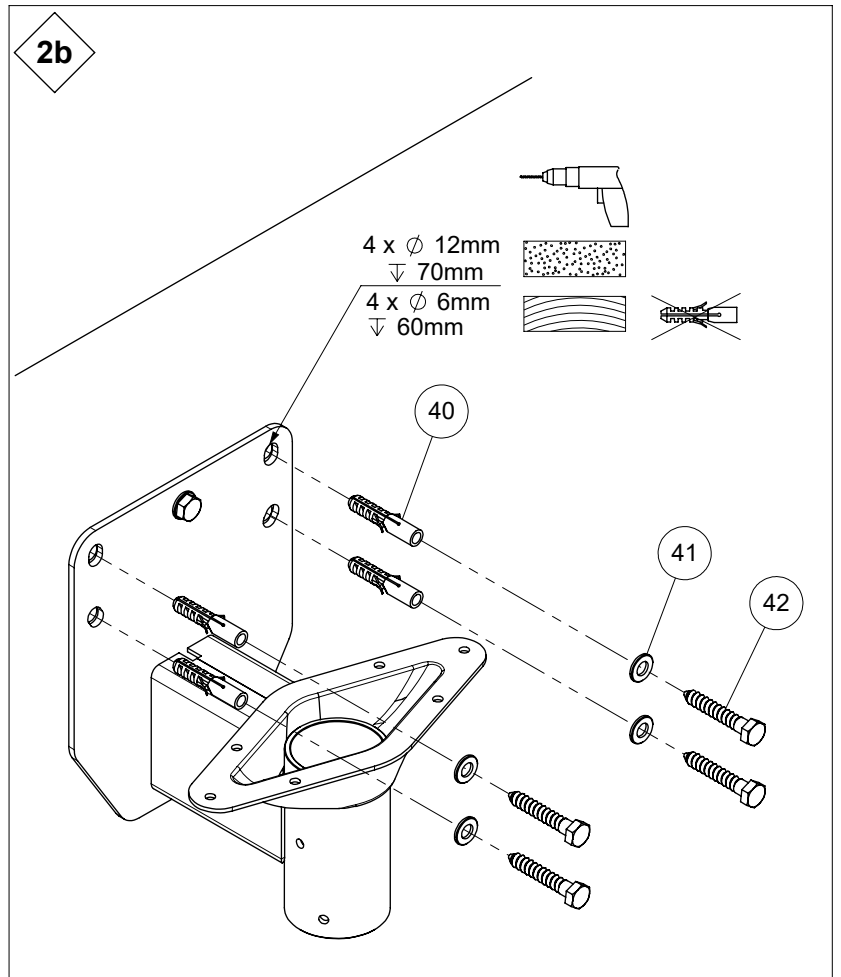
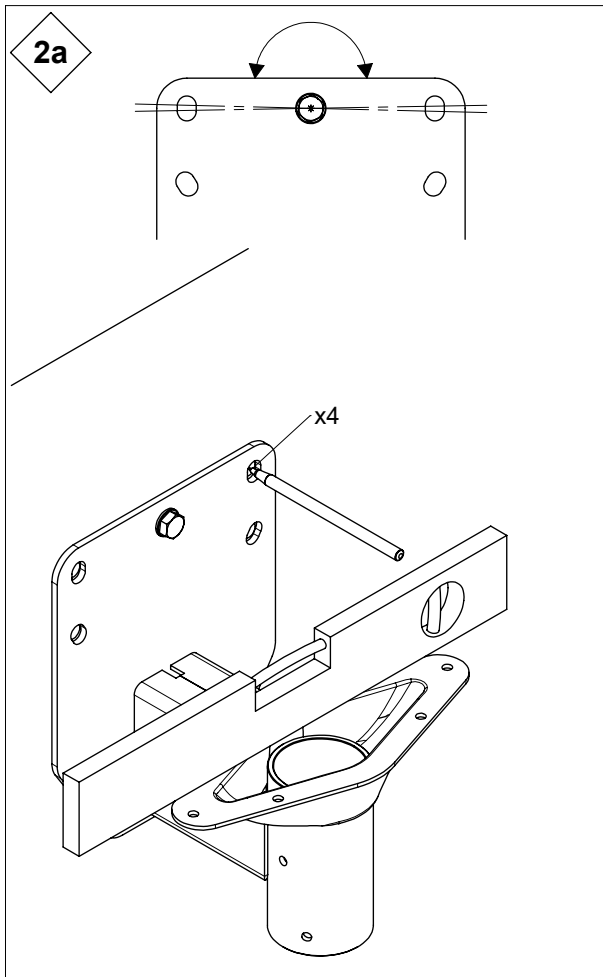
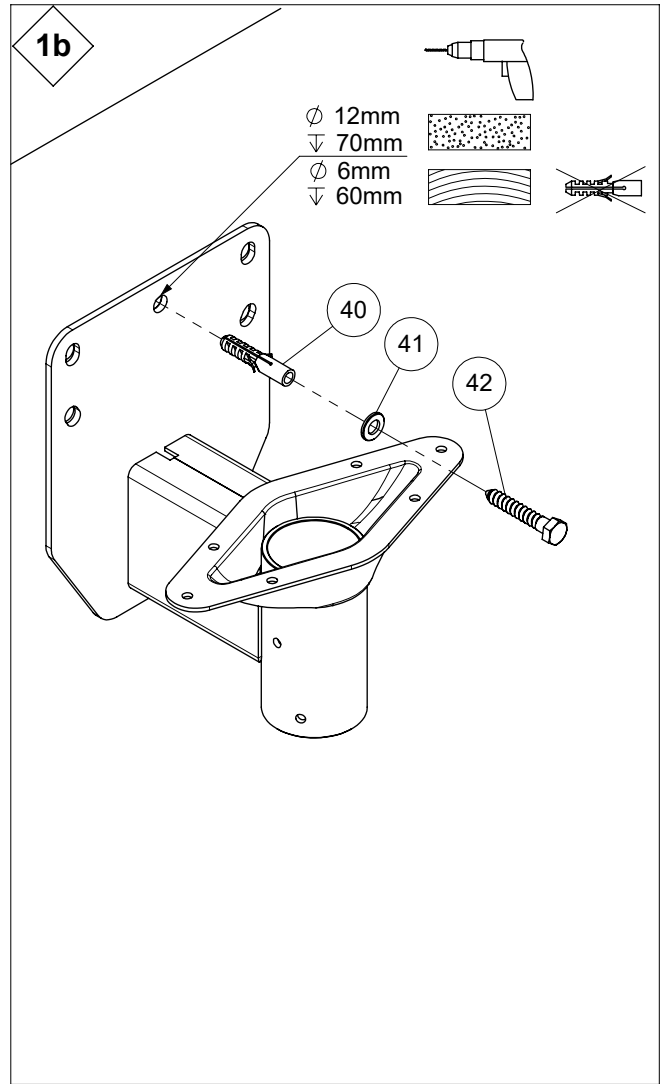
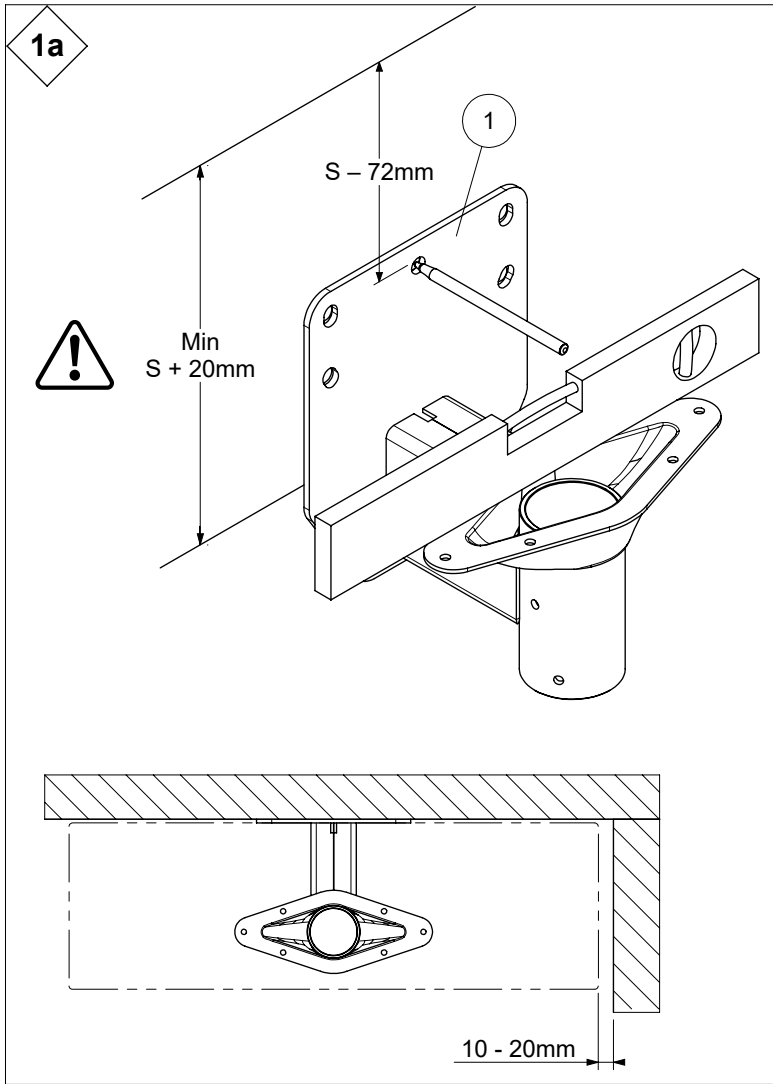
| | min S | max S |
|--|--------|--------|
| | 190 mm | 250 mm |

| T | min H | max H |
|----|---------|---------|
| 9 | 1900 mm | 2500 mm |
| 10 | 2090 mm | 2750 mm |
| 11 | 2280 mm | 3000 mm |
| 12 | 2470 mm | 3120 mm |
| 13 | 2660 mm | 3360 mm |

Example / Beispiel / Voorbeeld /
Example / Eksempel:
H: 2400 mm, T: 11 st(pcs)

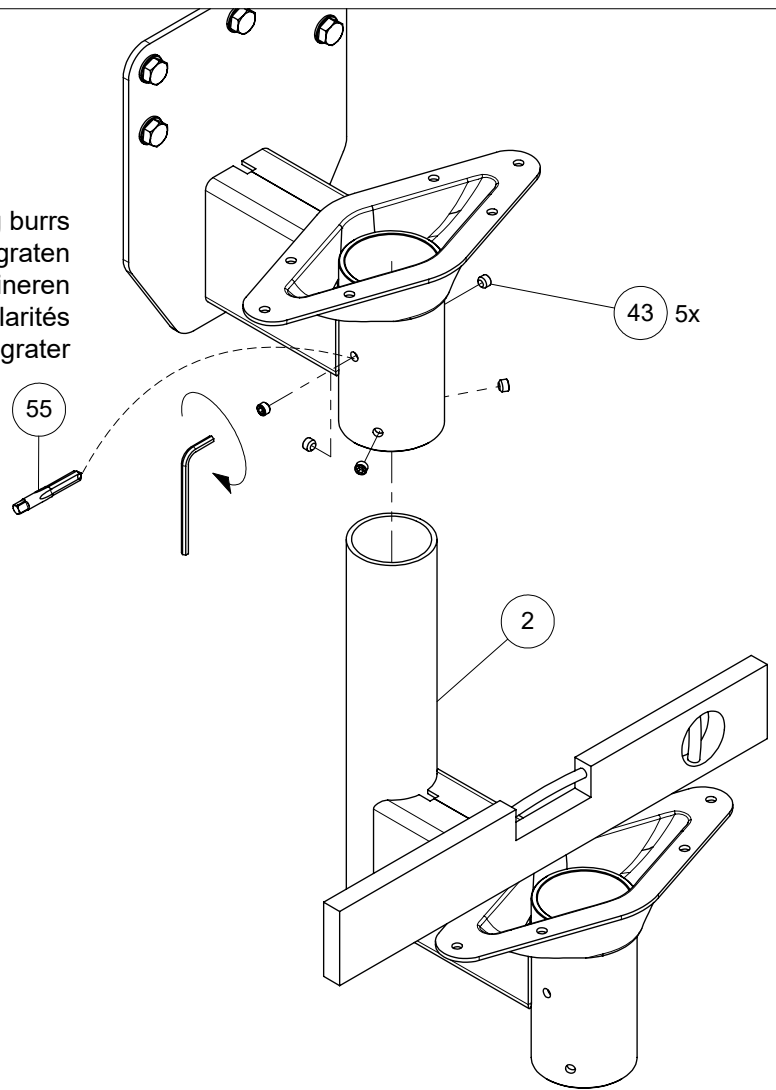
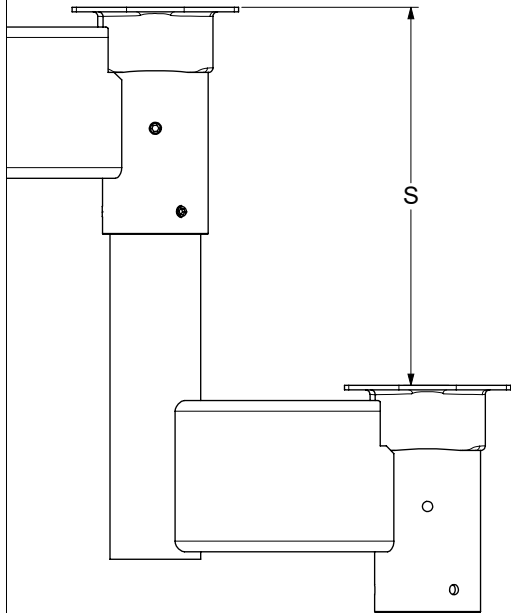
$$S = \frac{2400 \text{ mm}}{11 + 1} = 200 \text{ mm}$$



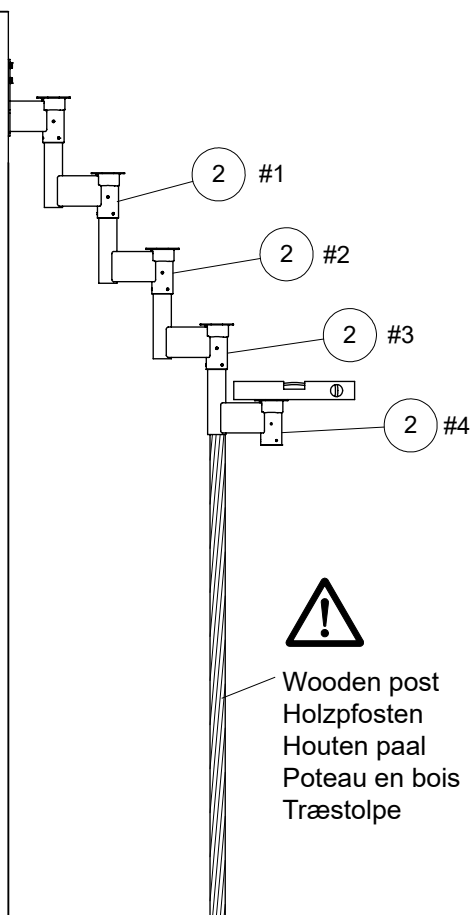


3

For removing burrs
Zum Entgraten
Om onregelmigheden te elimineren
Pour éliminer les irrégularités
Til fjernelse af grater

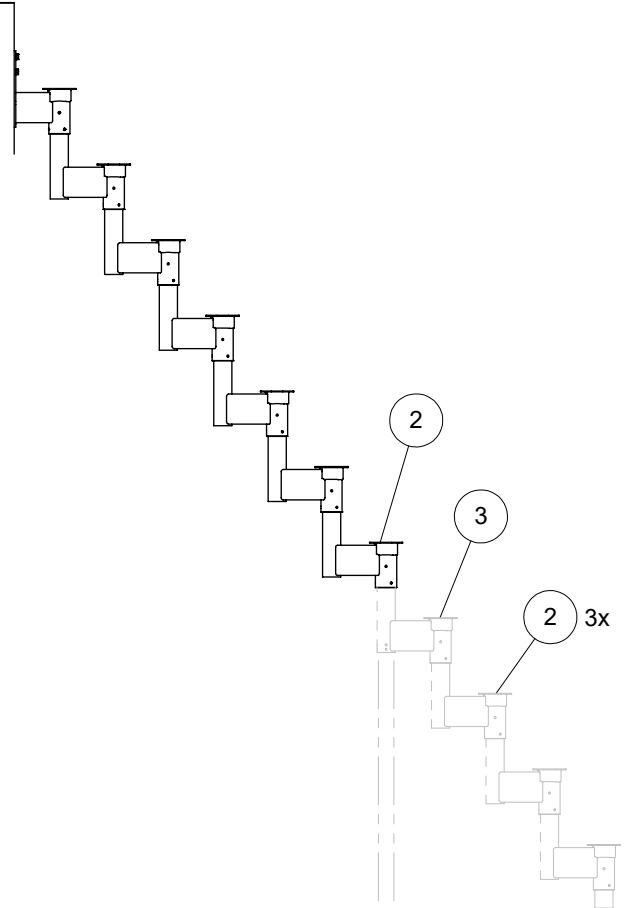


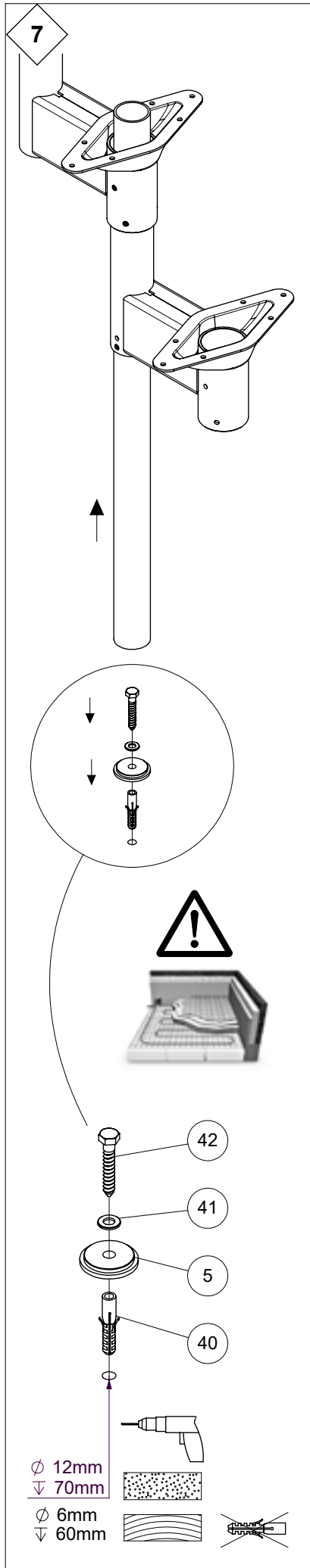
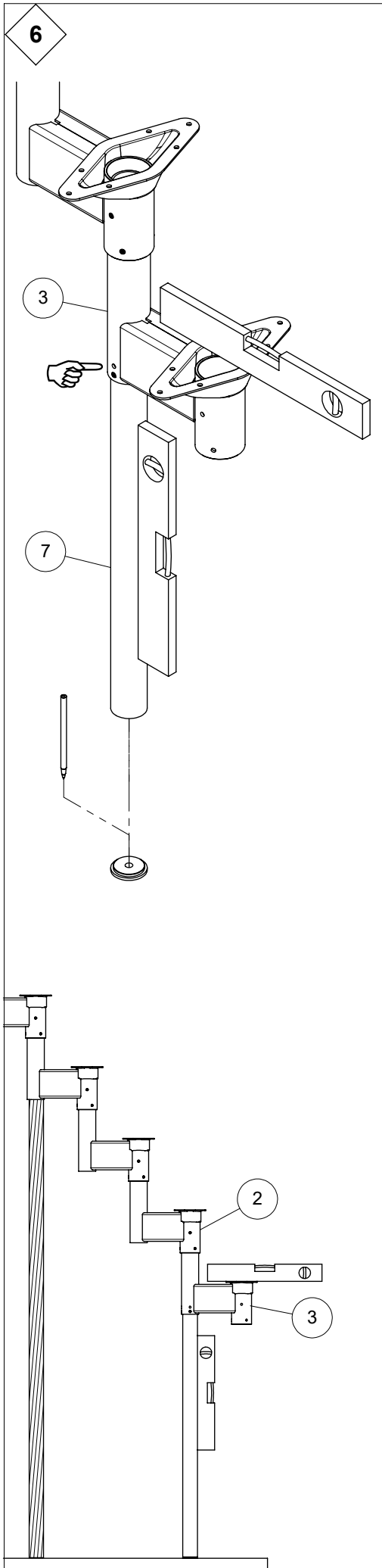
4

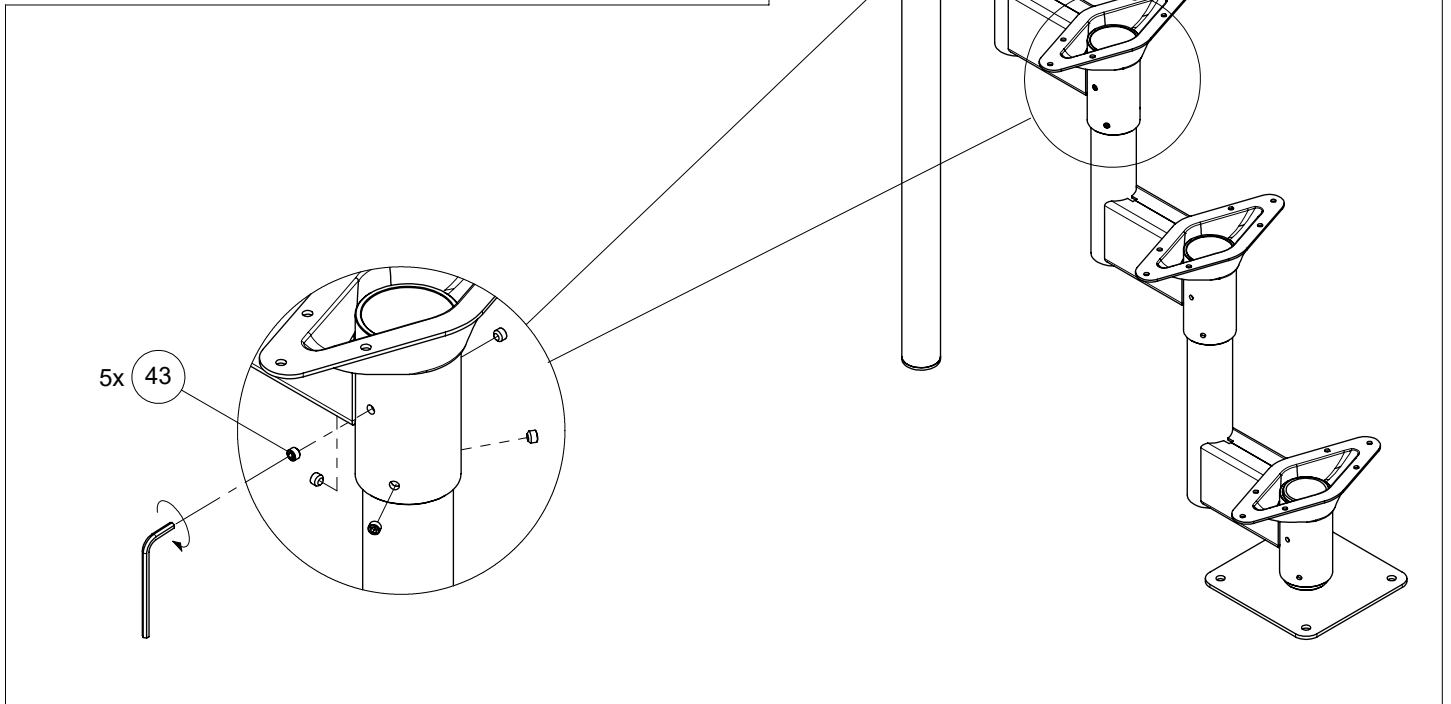
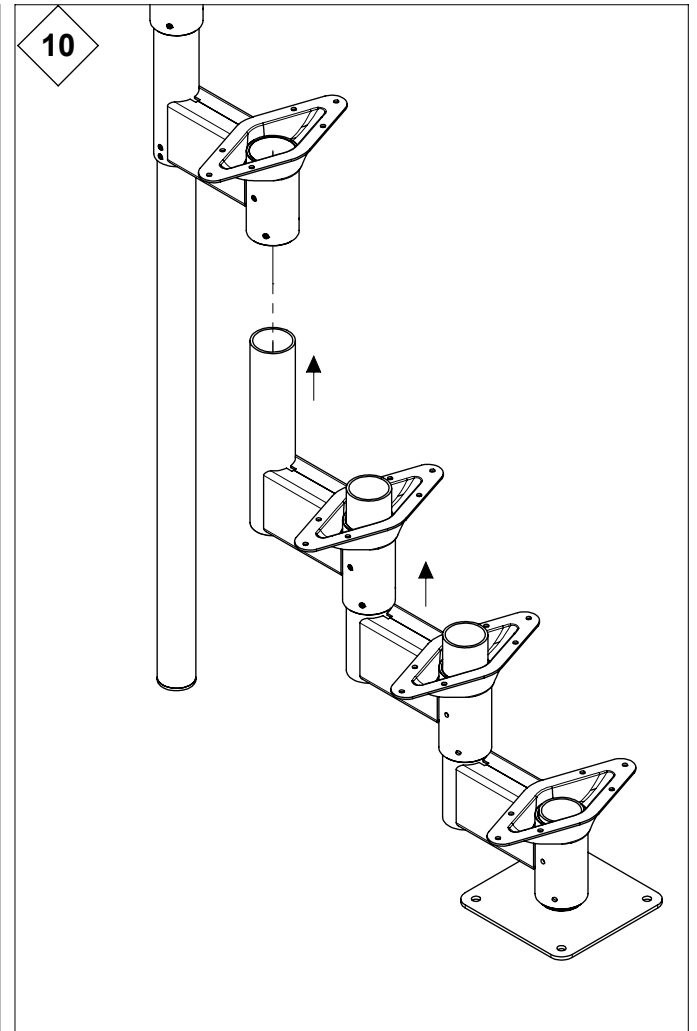
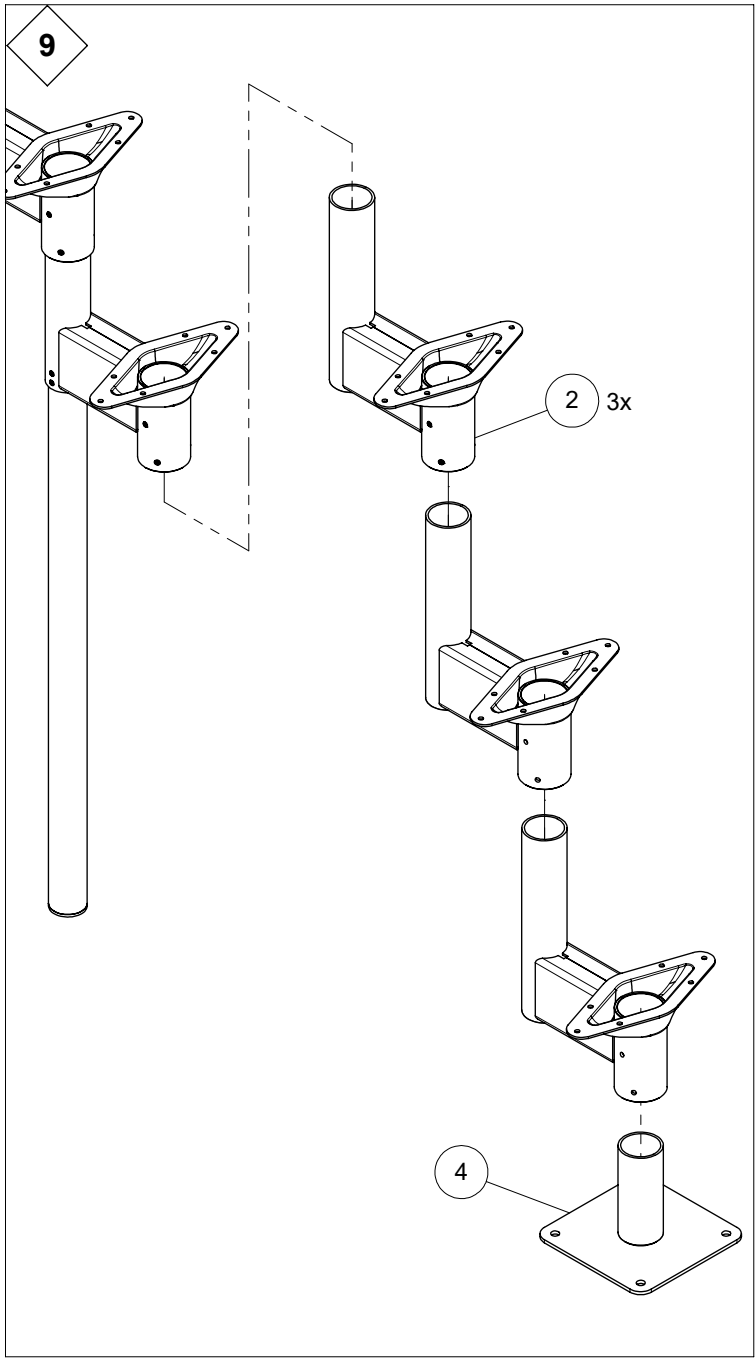


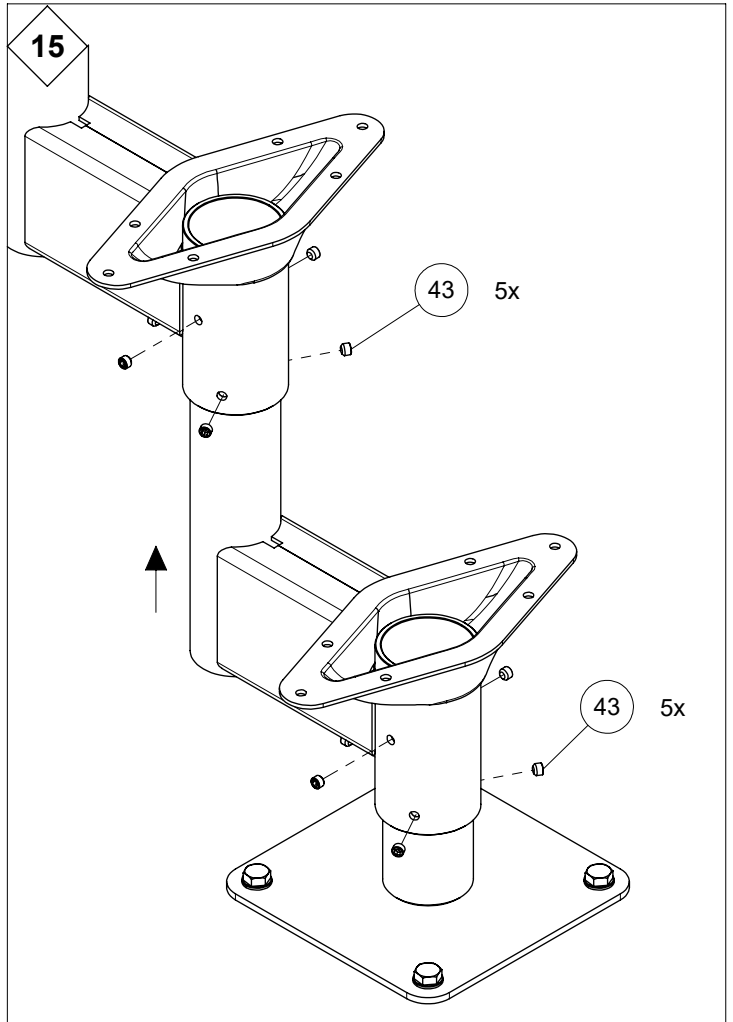
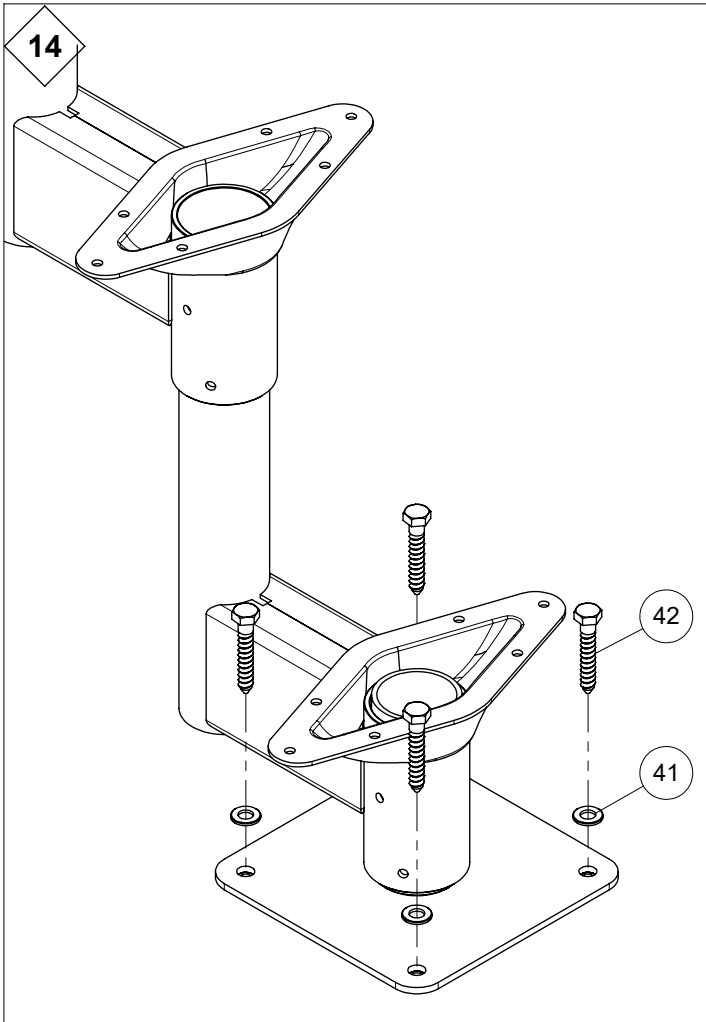
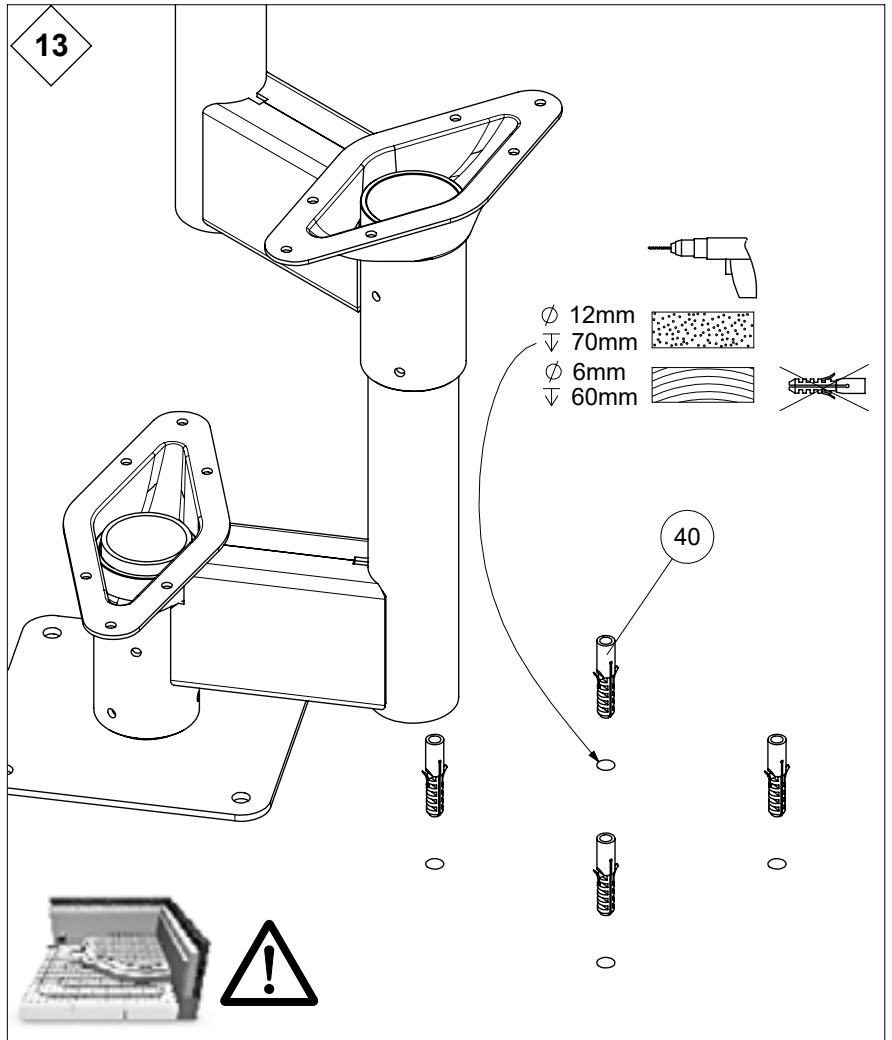
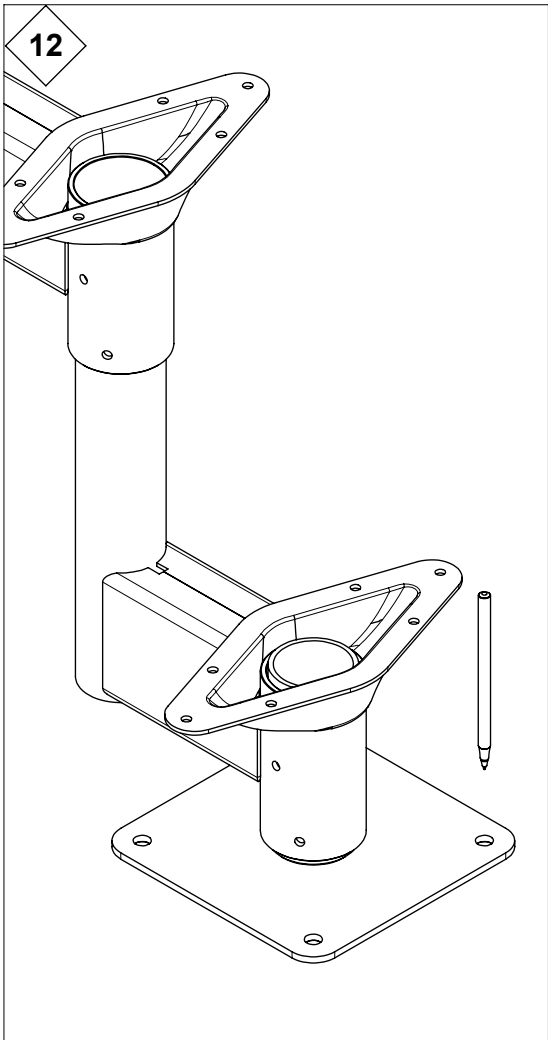
Wooden post
Holzpfosten
Houten paal
Poteau en bois
Træstolpe

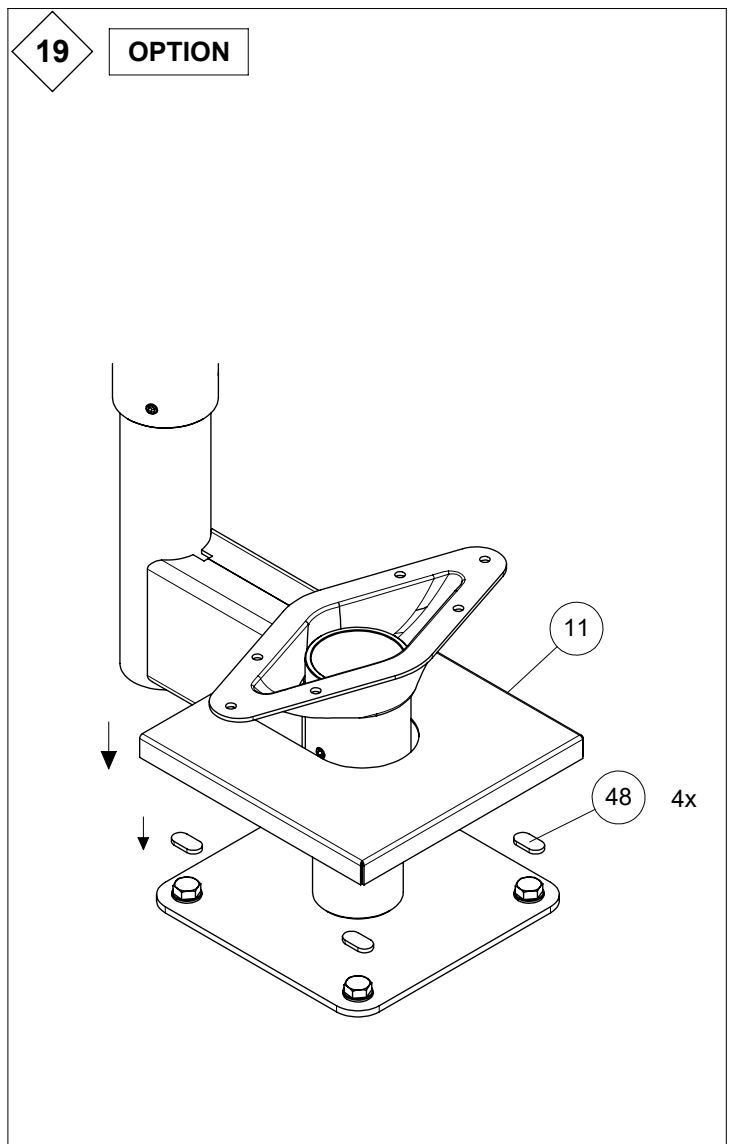
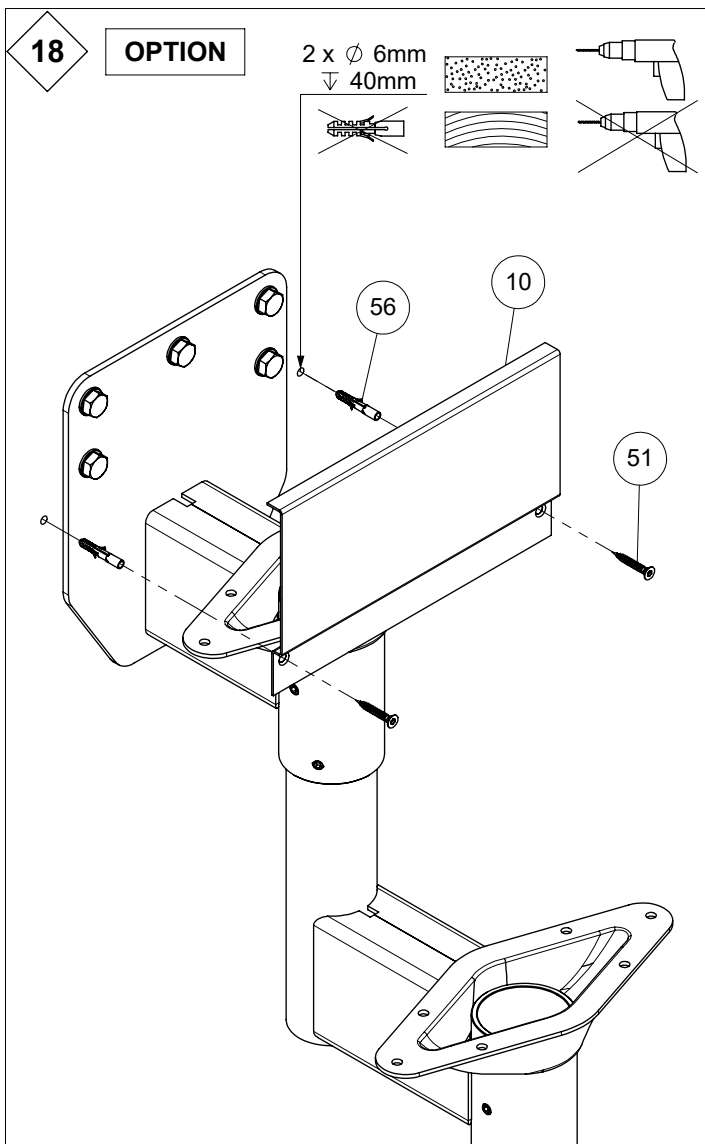
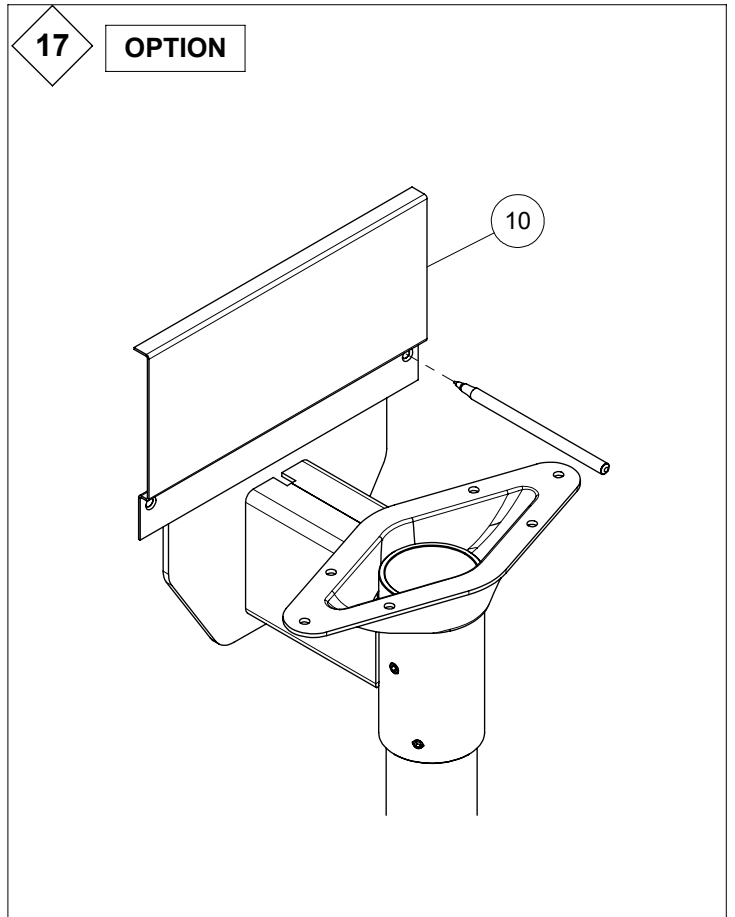
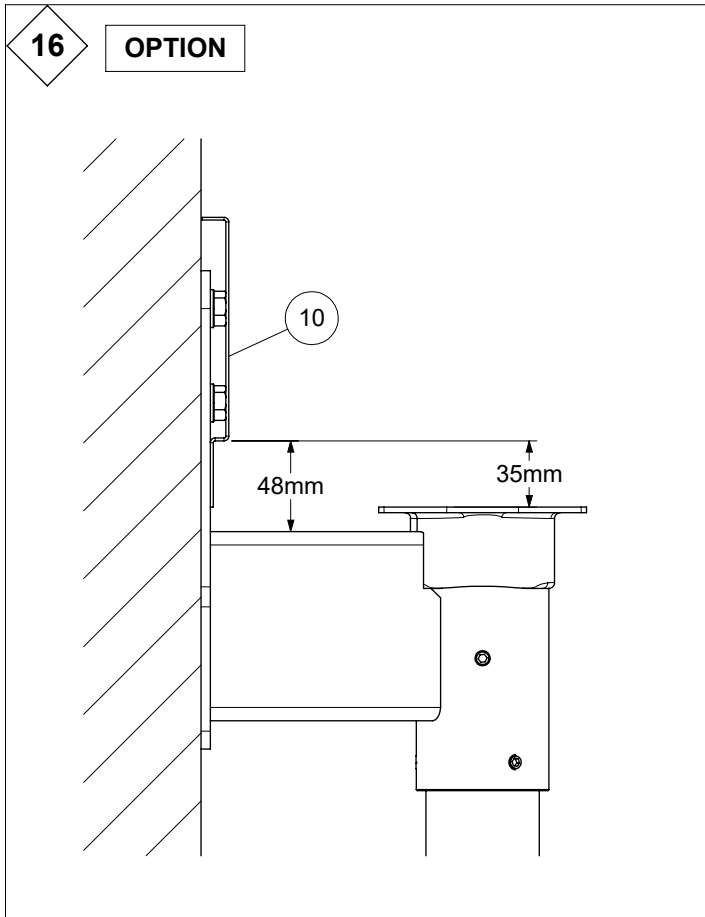
5



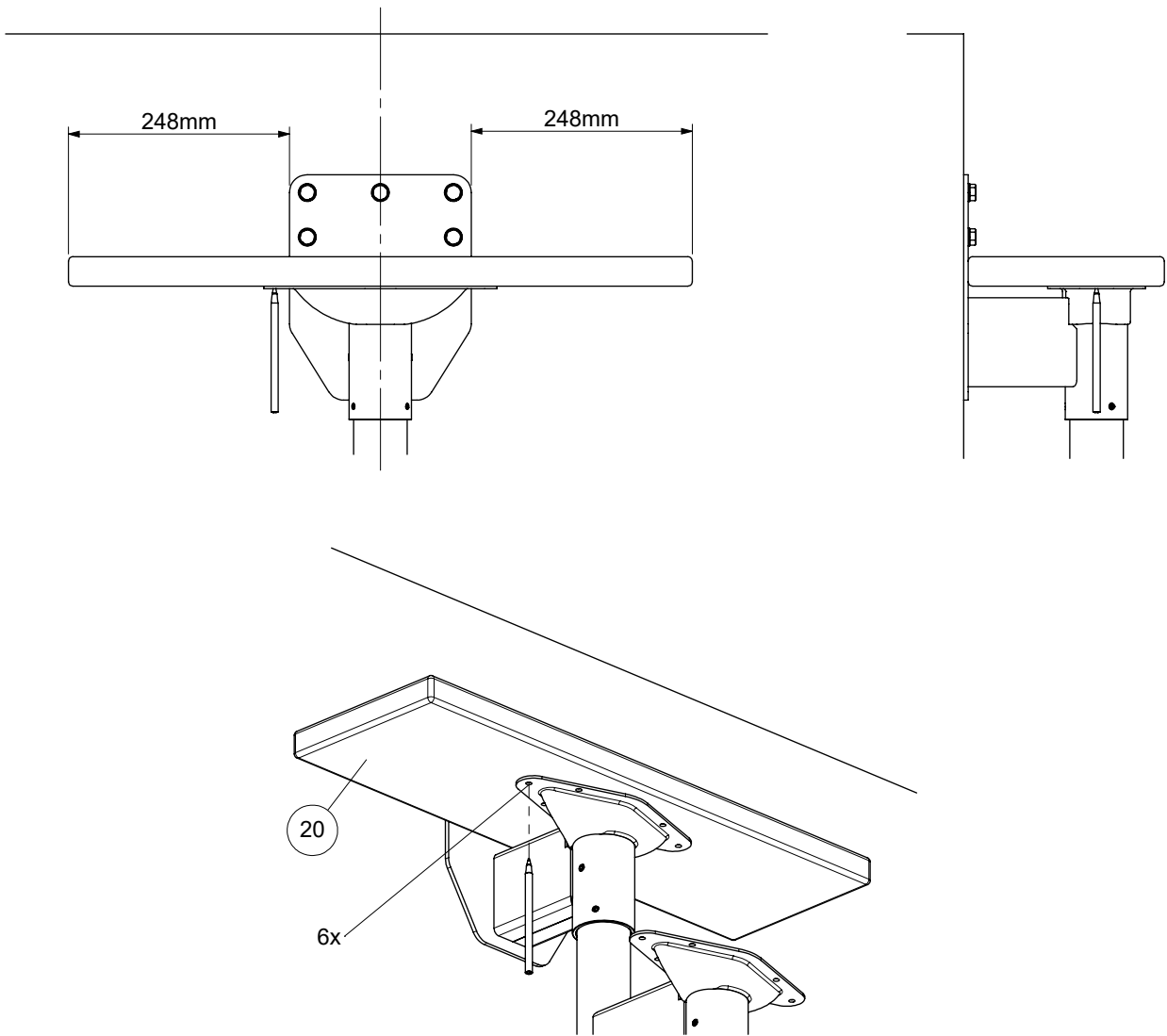




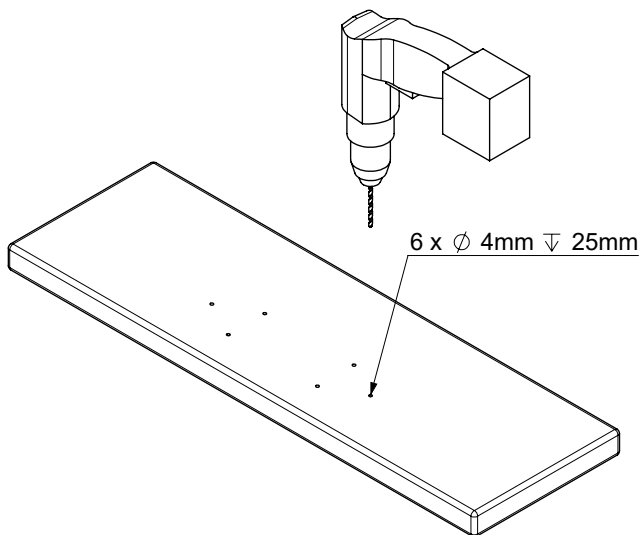




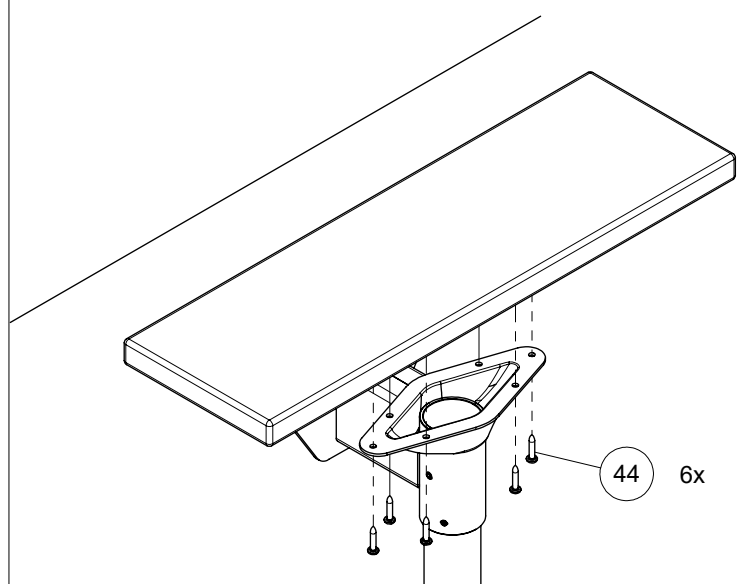
20



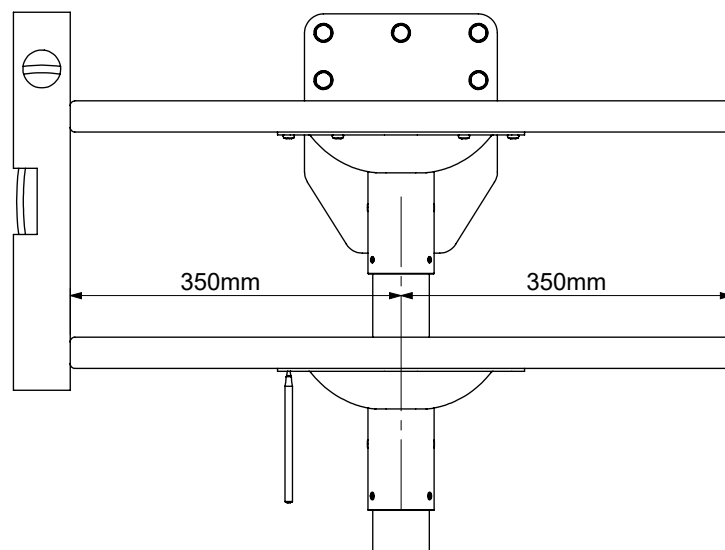
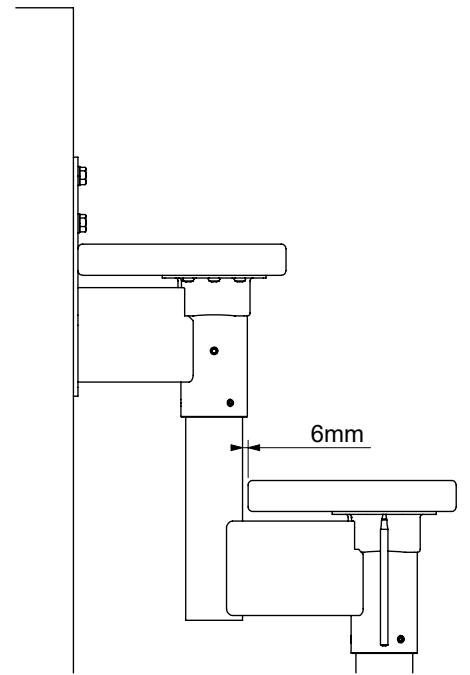
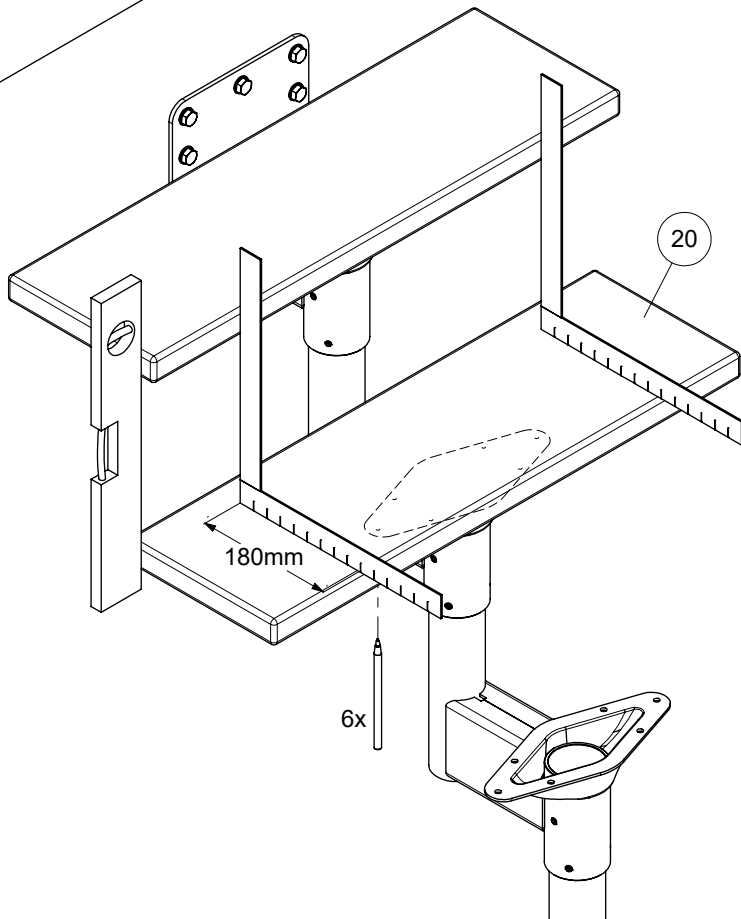
21



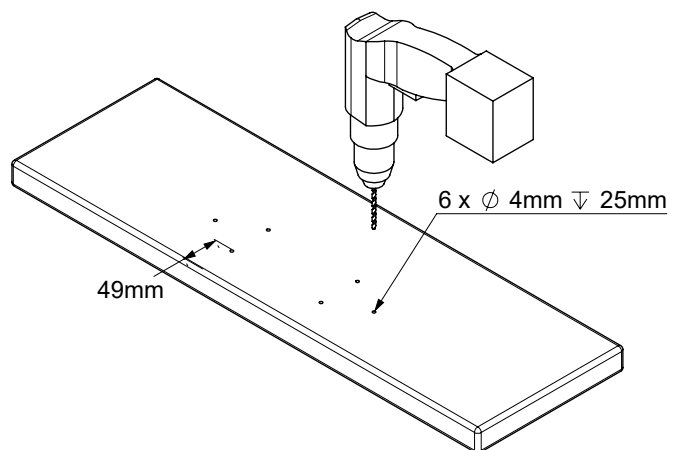
22



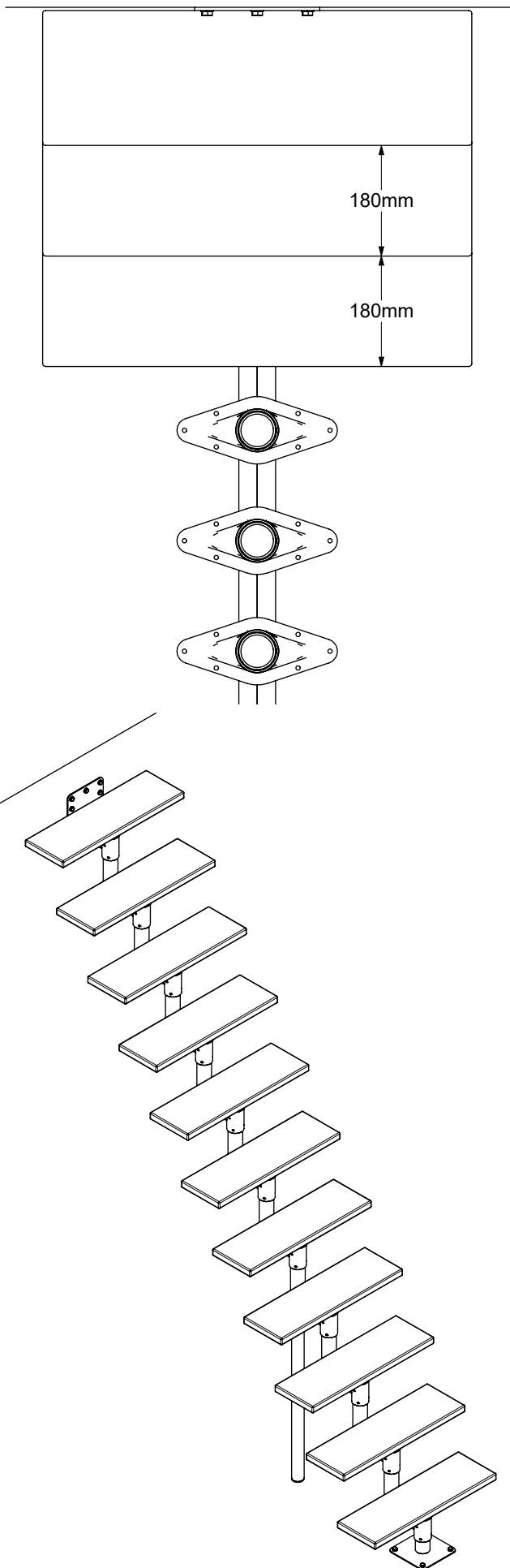
23



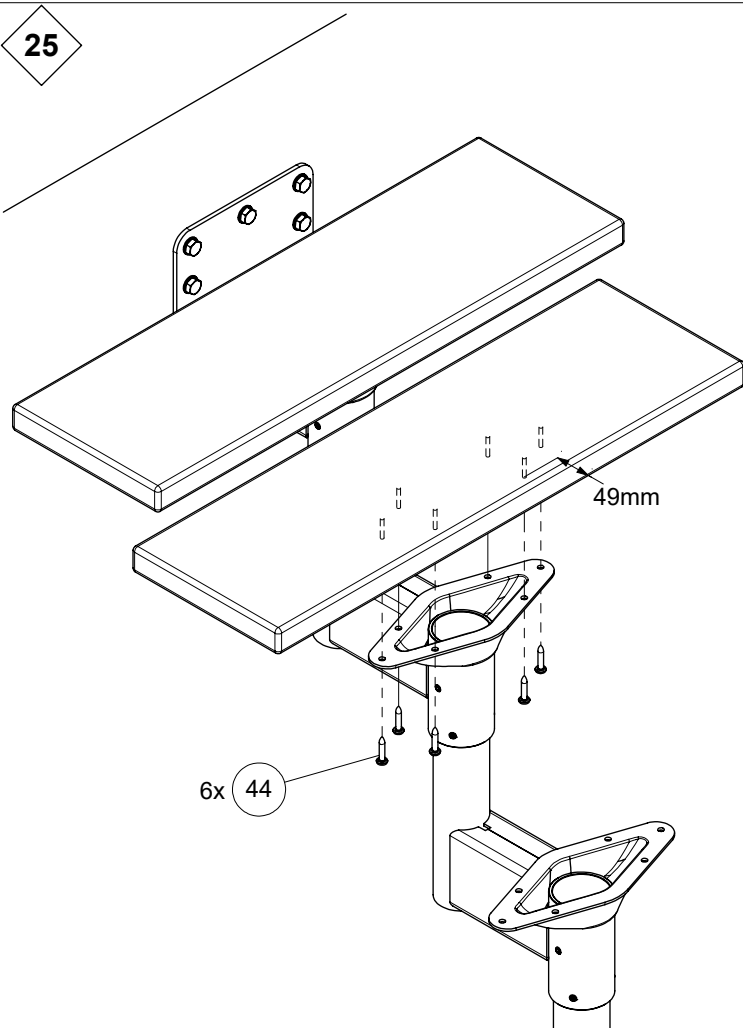
24

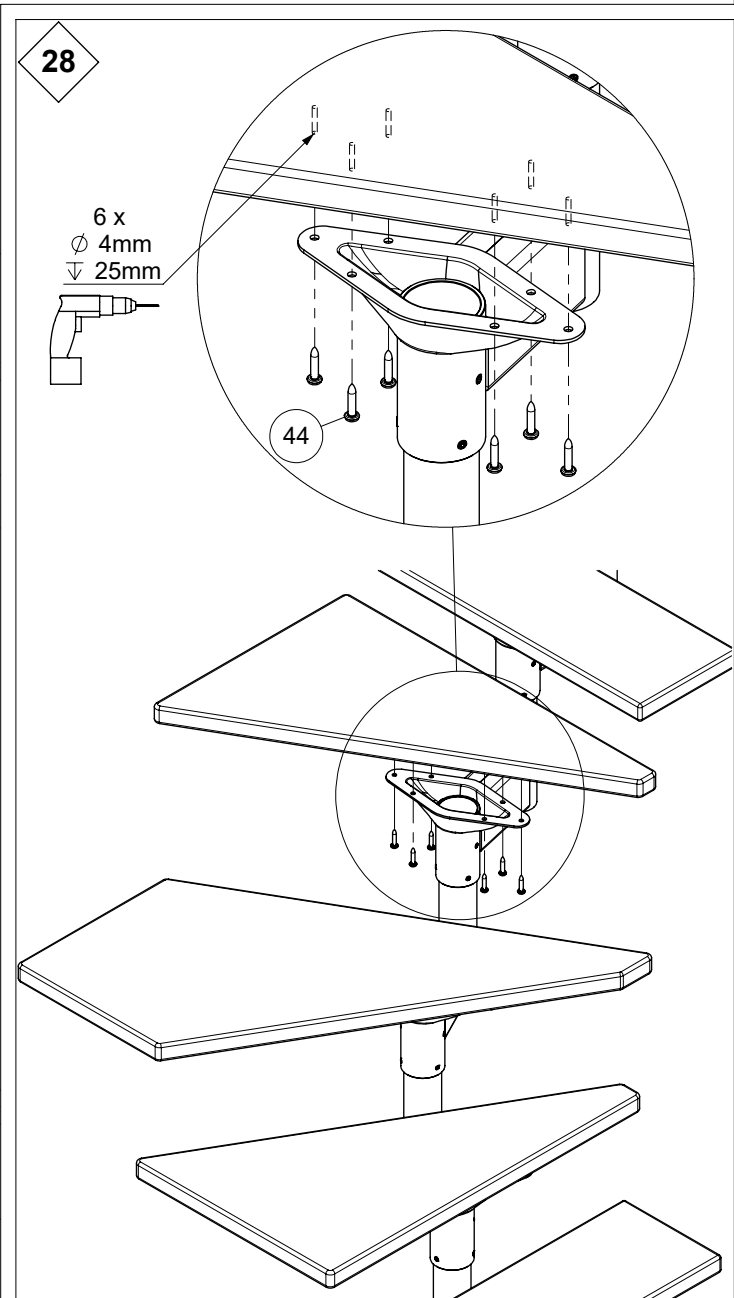
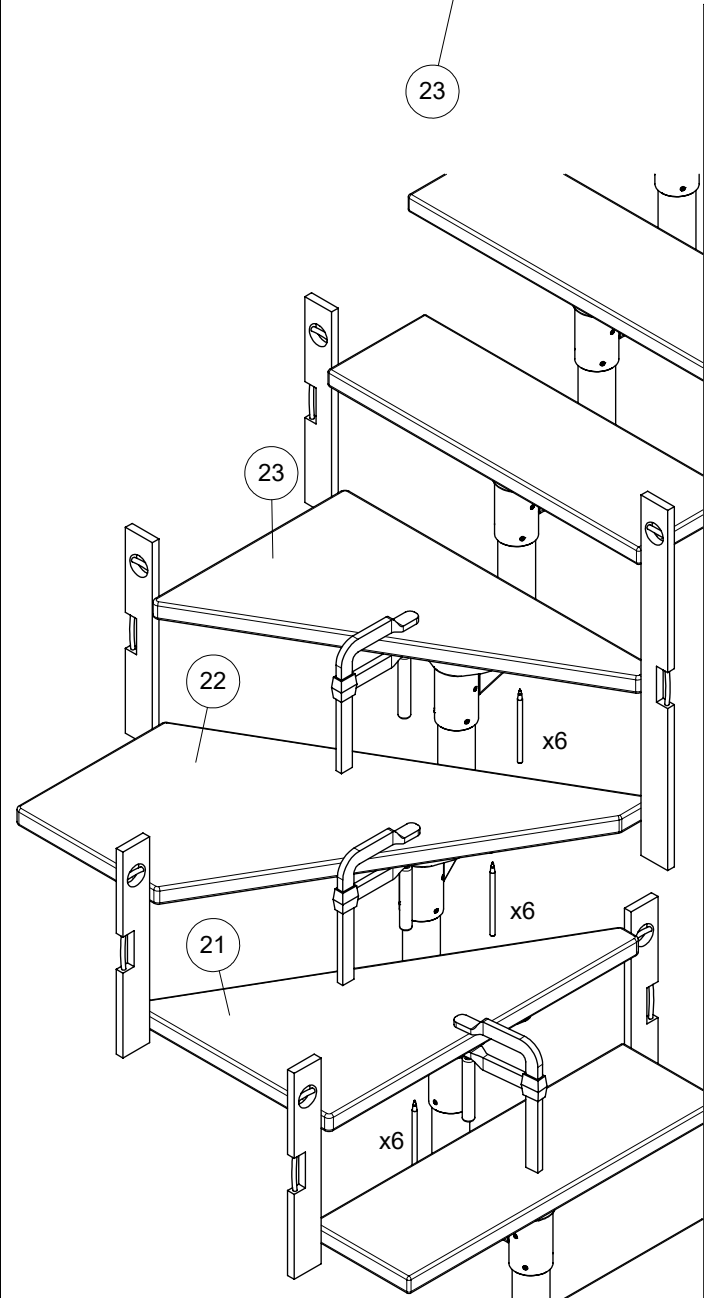
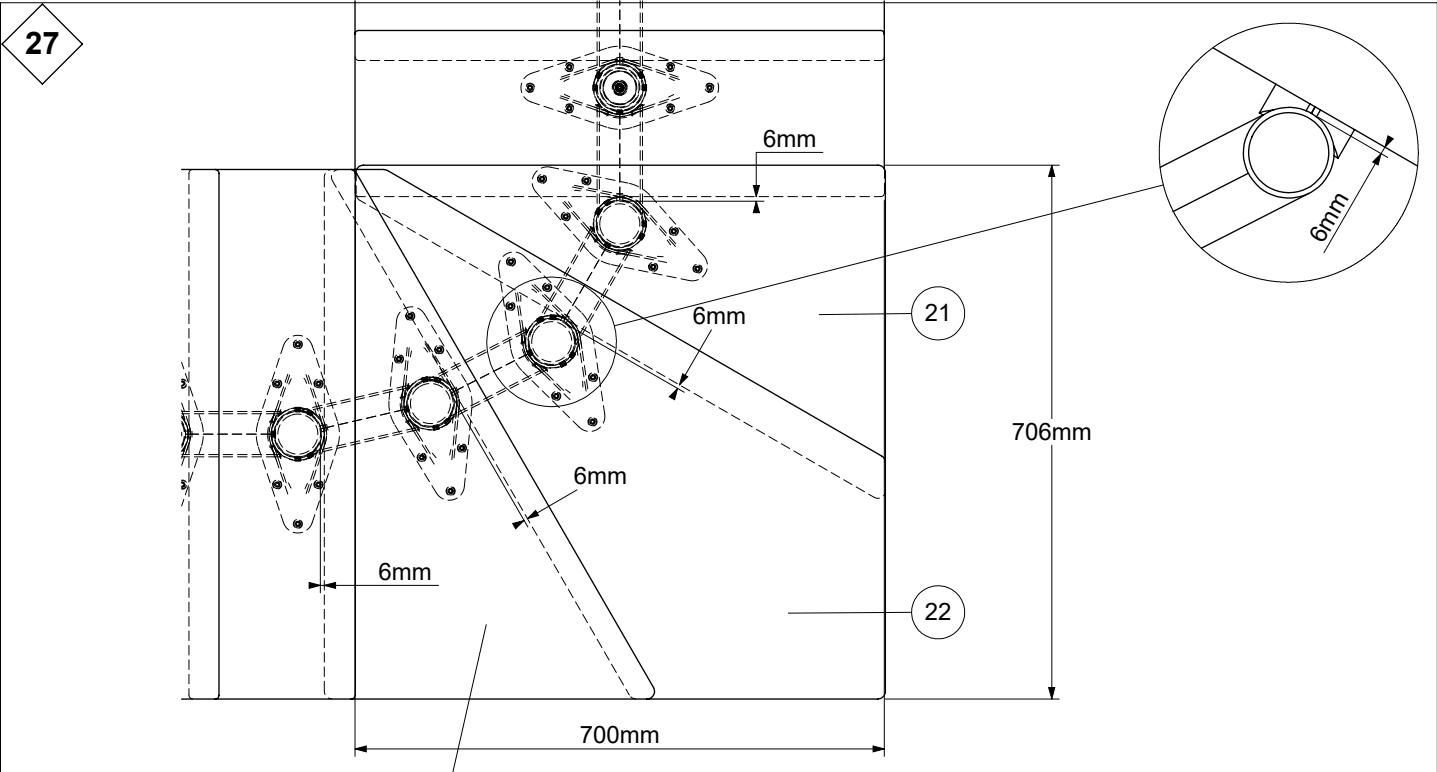


26



25

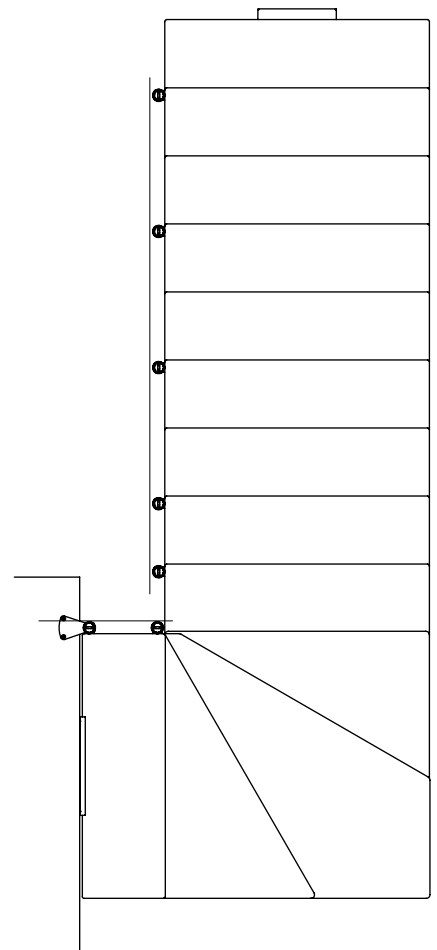
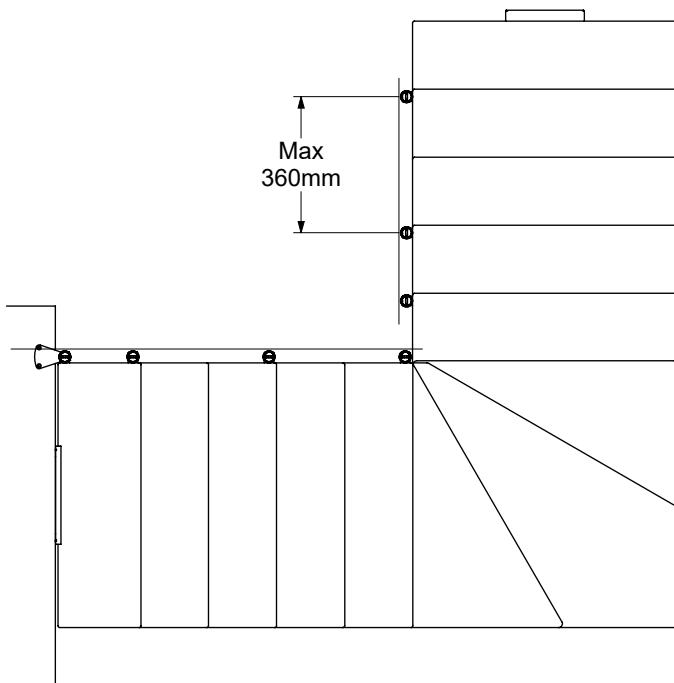
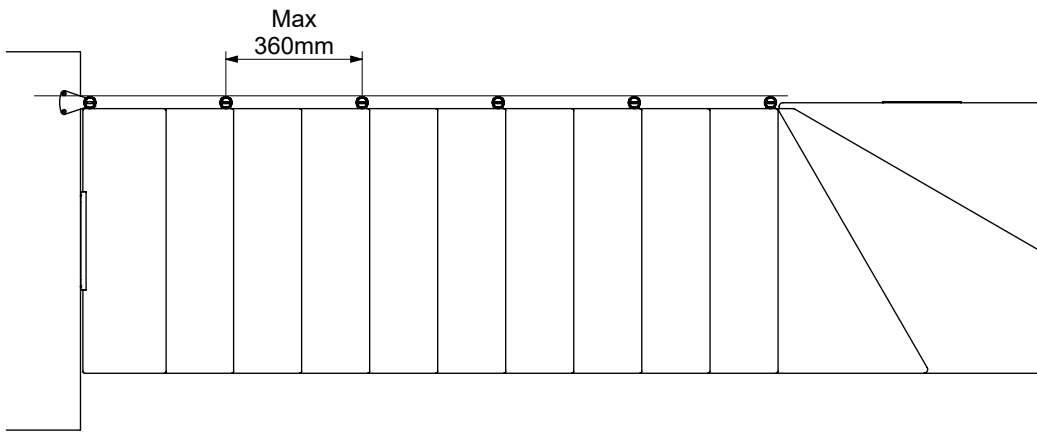
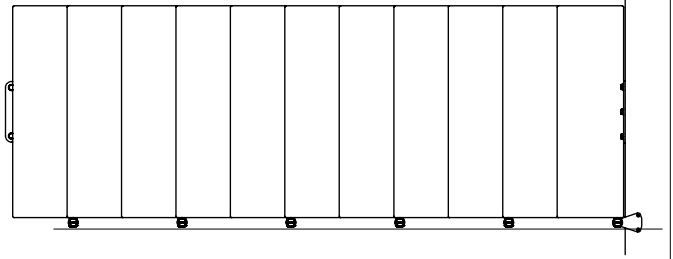
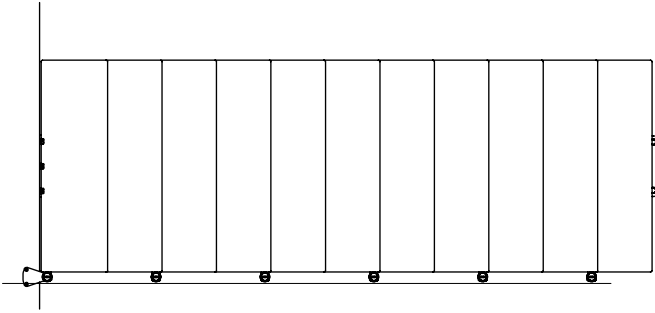


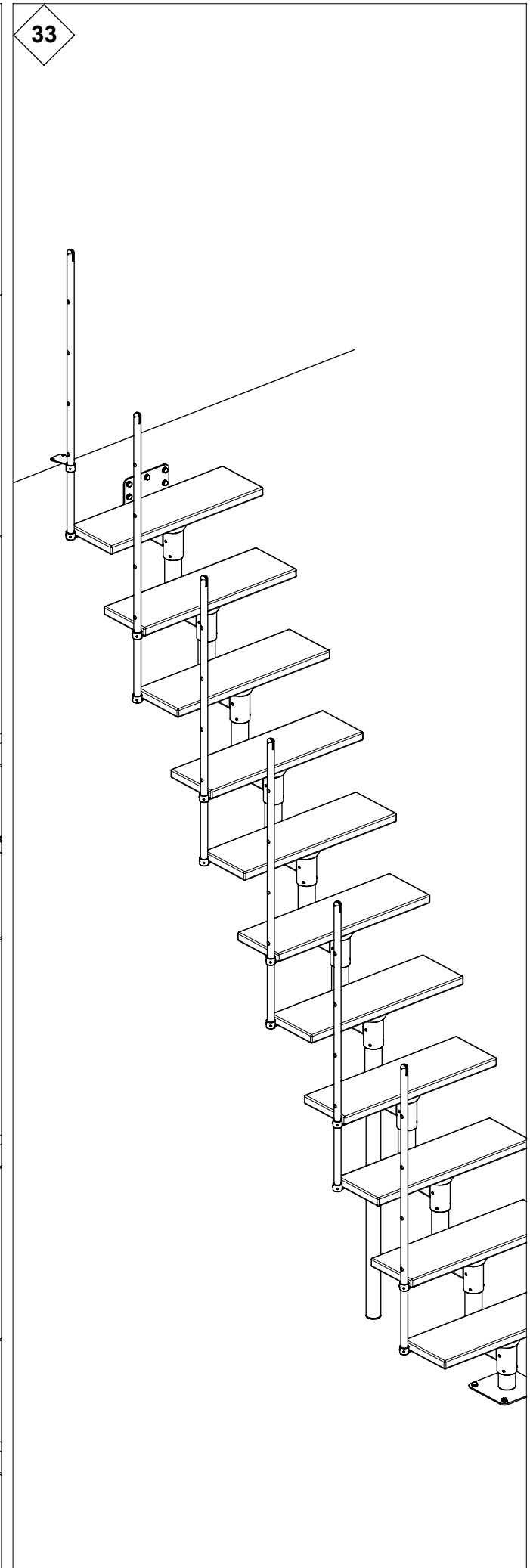
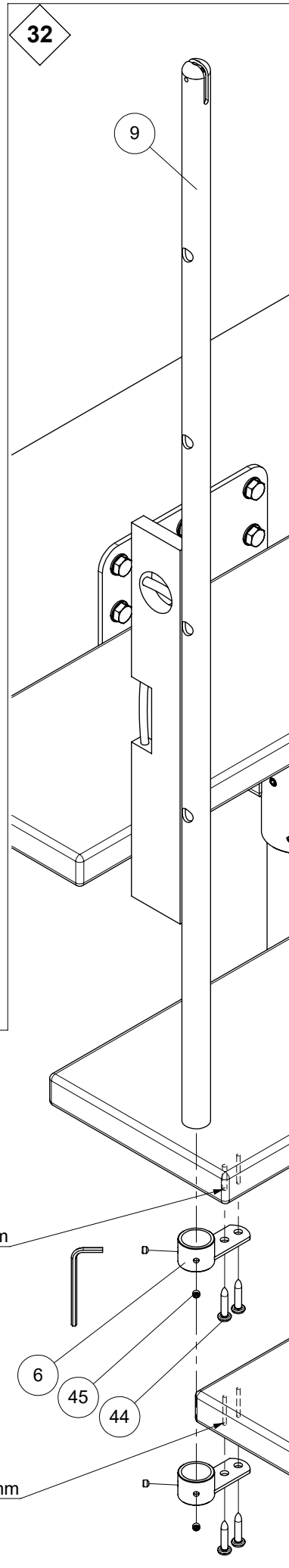
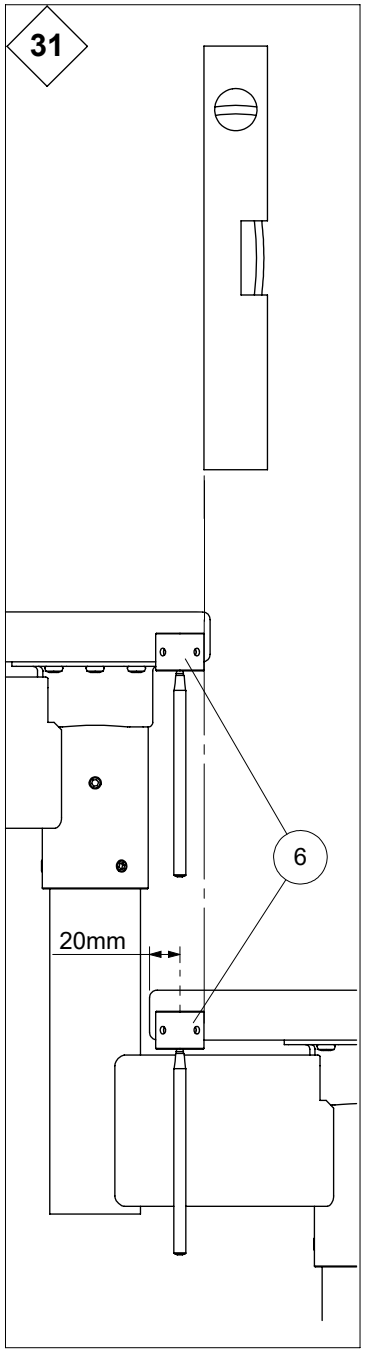


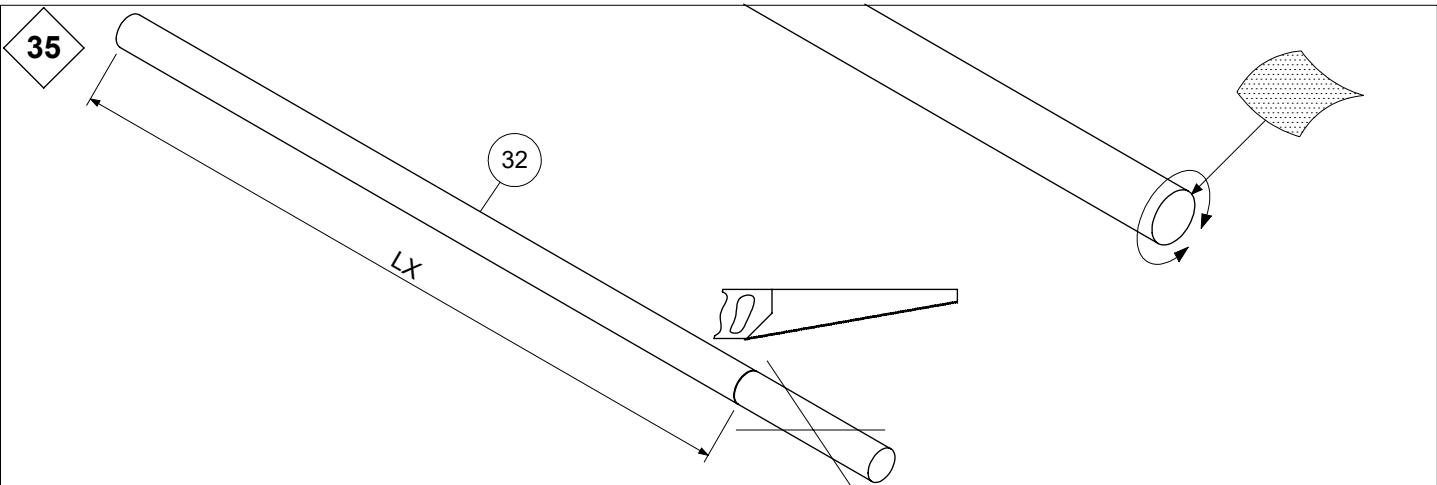
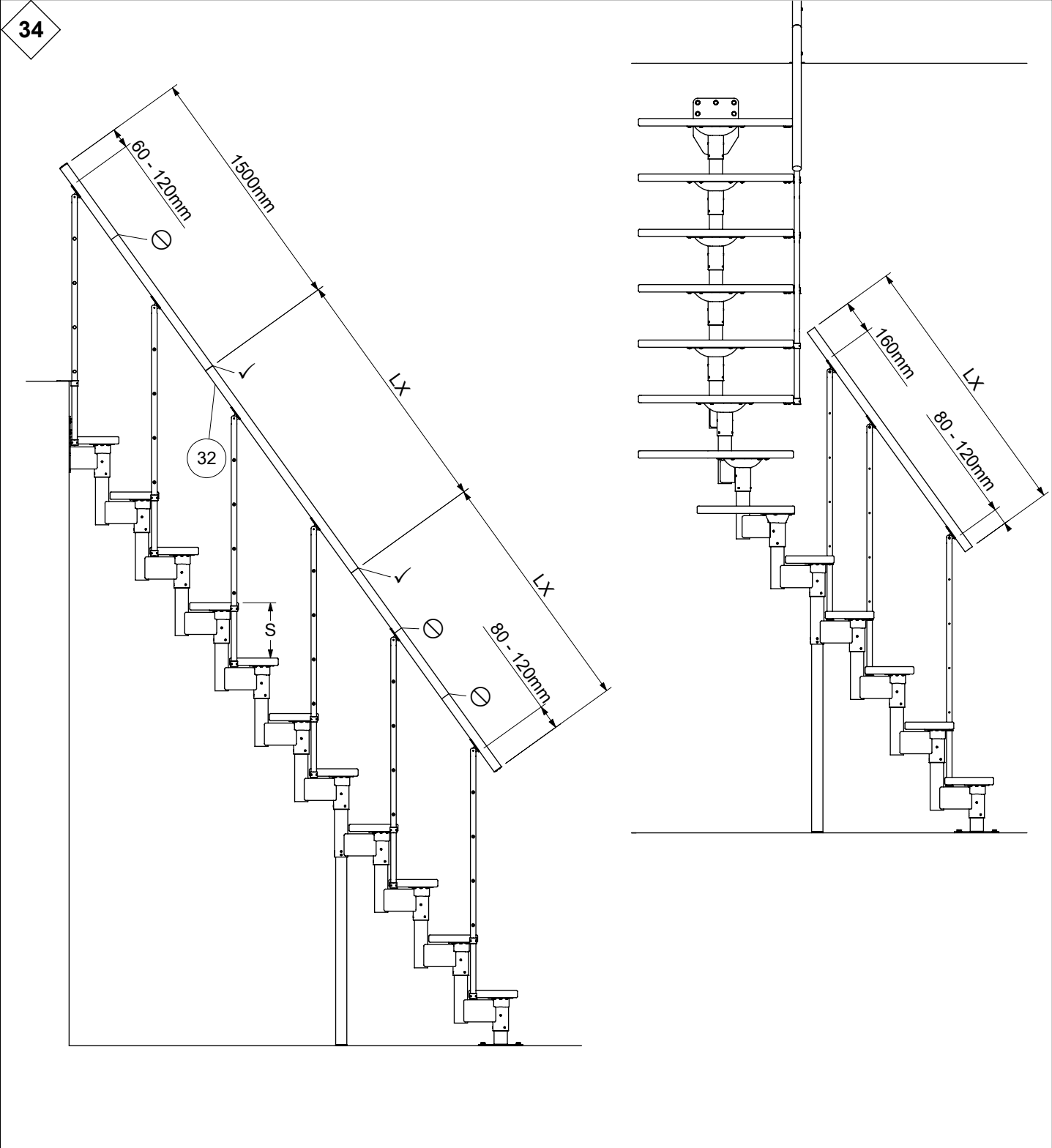


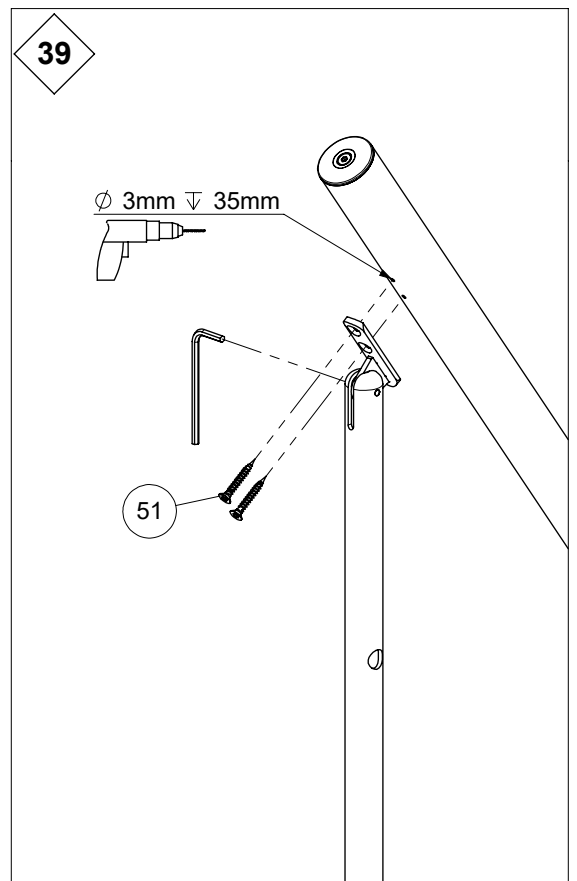
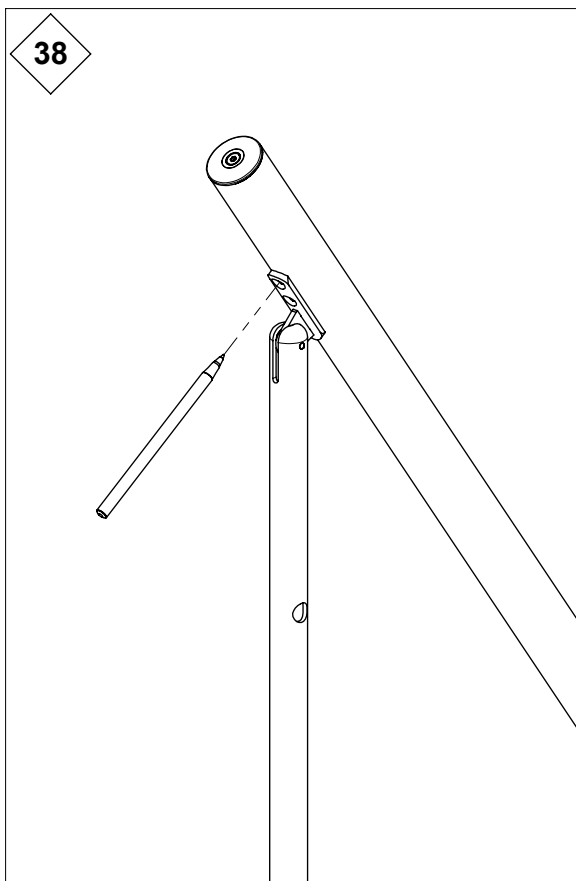
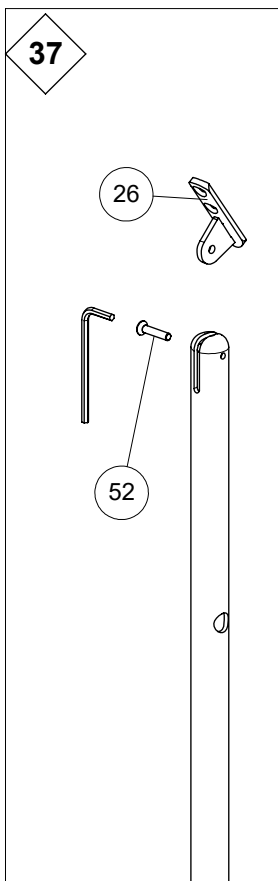
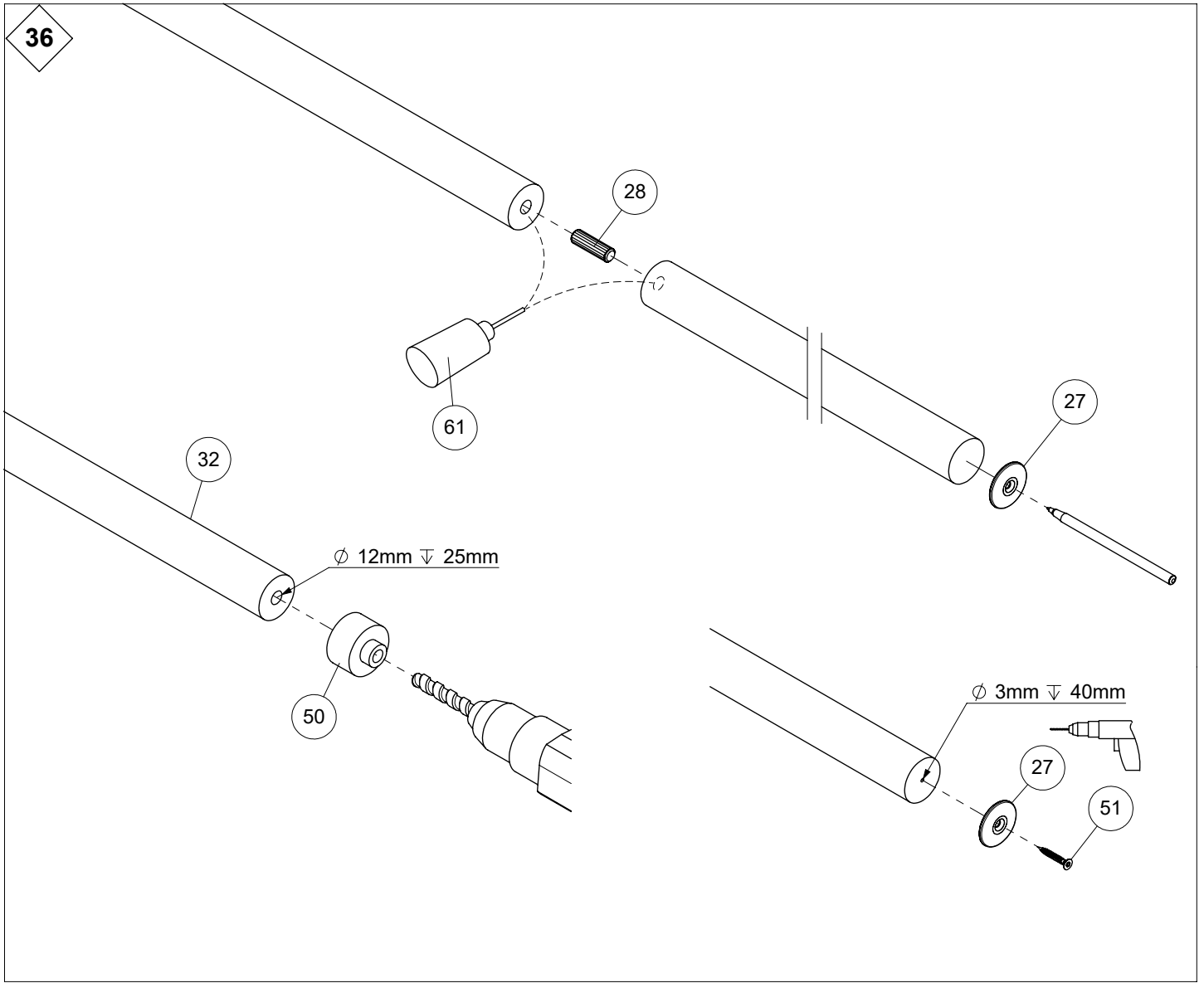
L

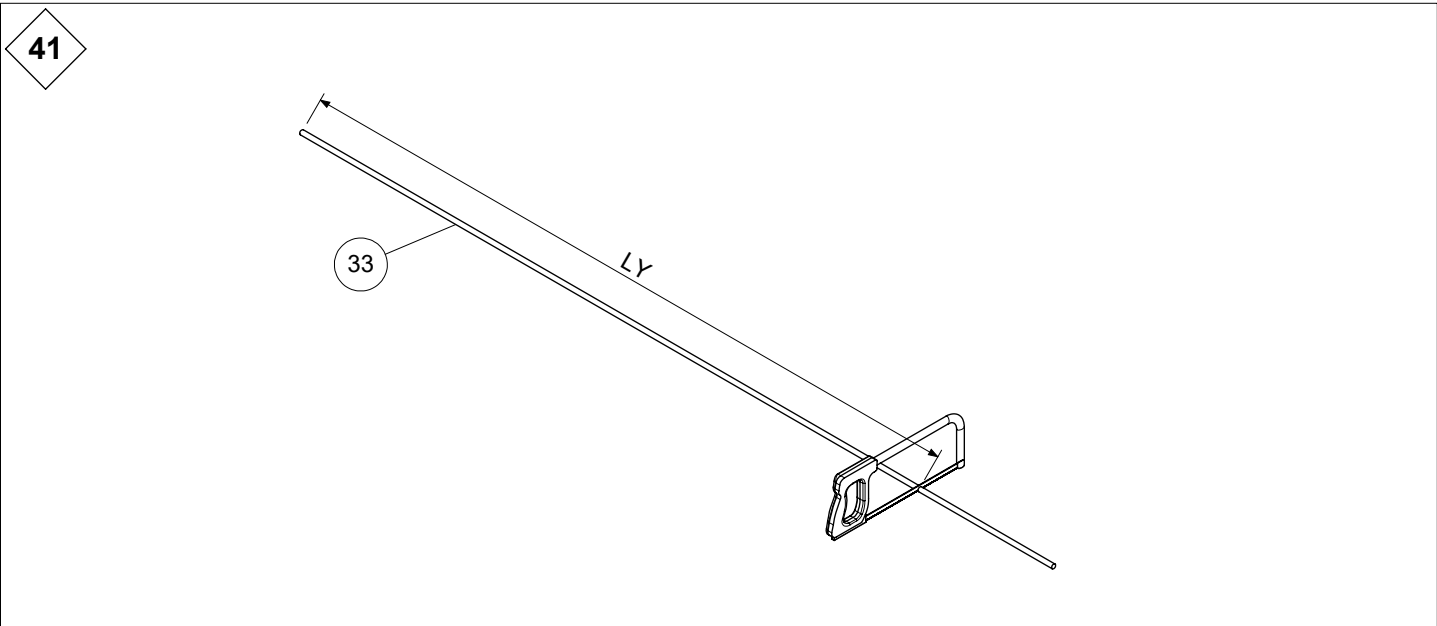
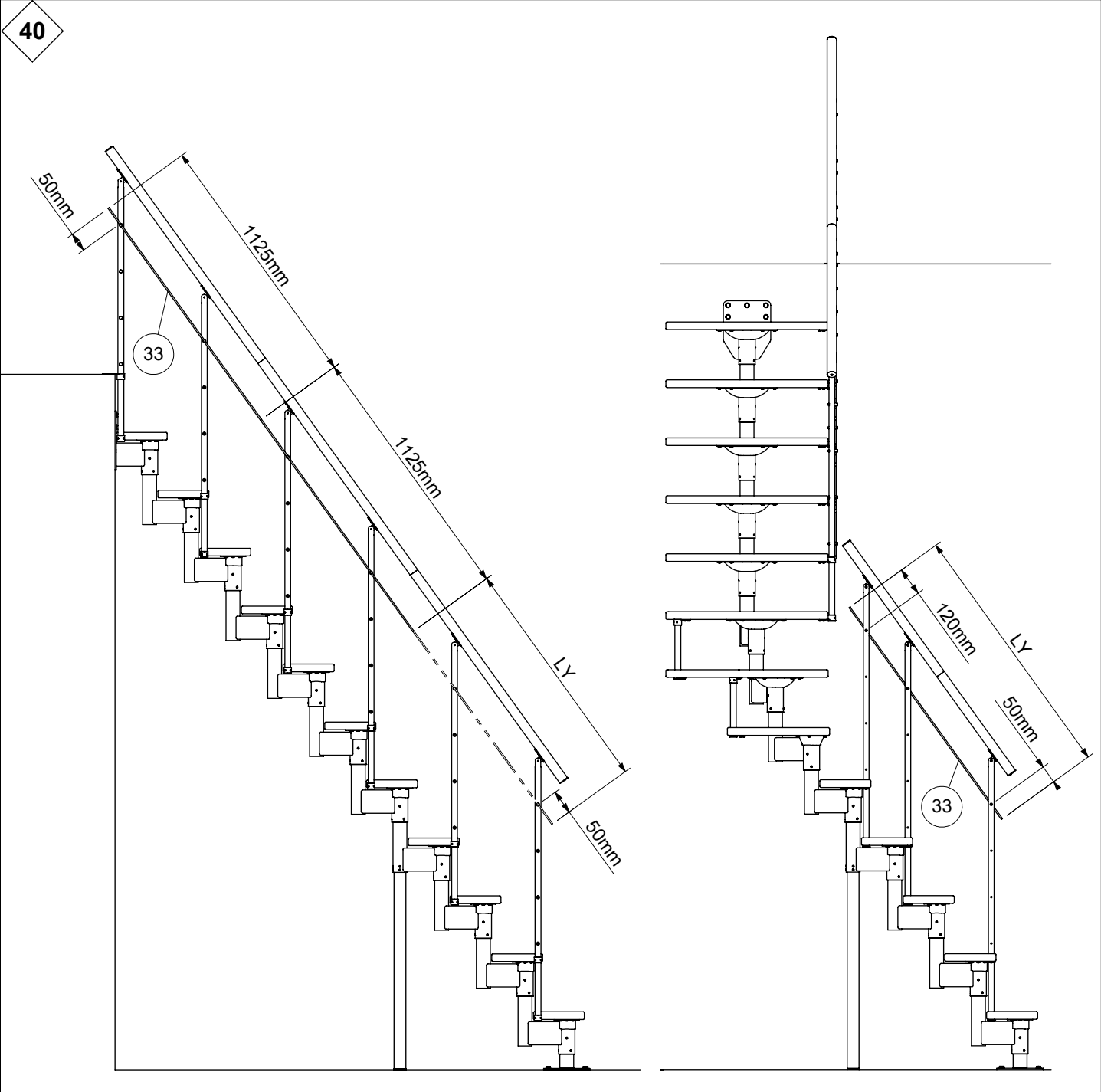
R

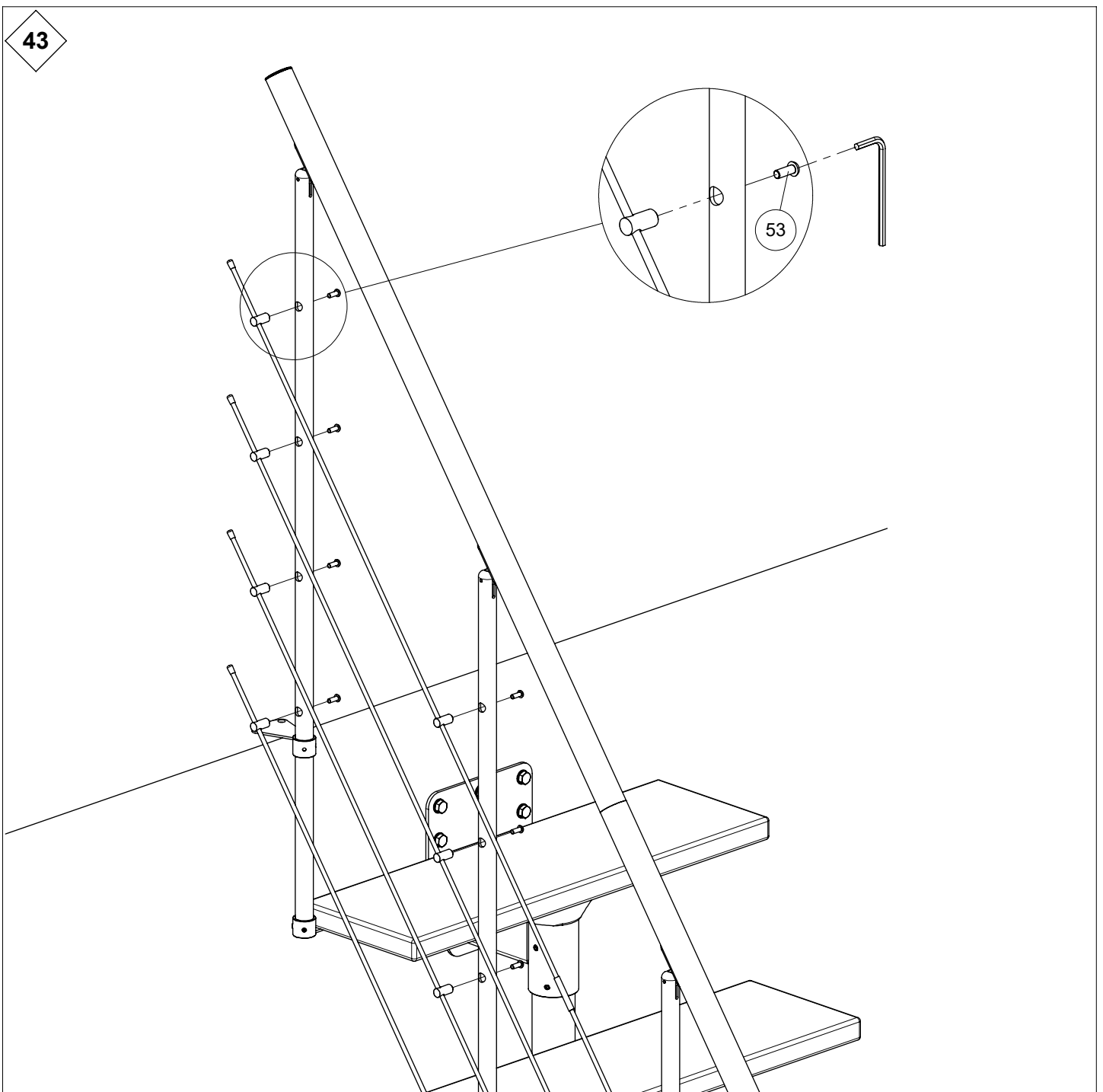
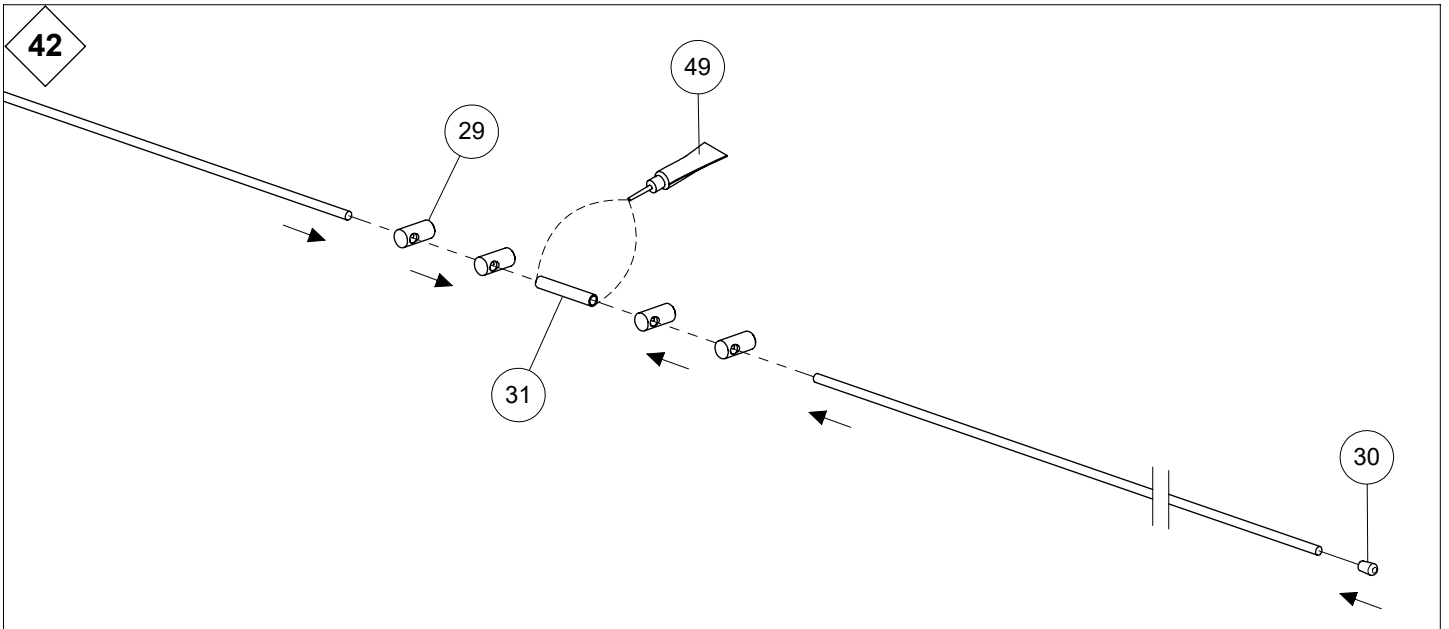




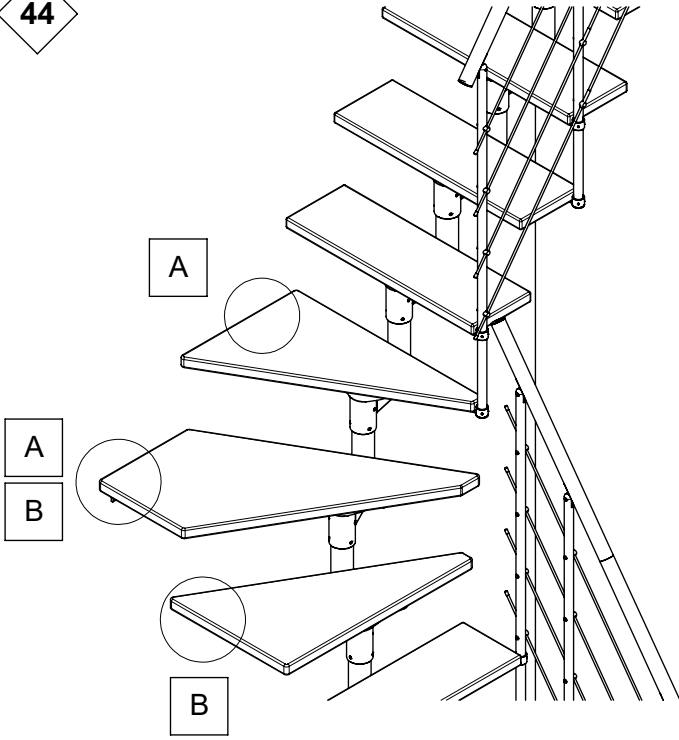








44



2 wall brackets must be mounted on a 1/4 turn staircase.

2 Wandhalterungen müssen auf einer 1/4-gewendelten Treppe montiert werden.

2 muurbeugels moeten gemonteerd worden op een 1/4 draai trap.

2 supports mural doivent être monté sur un escalier 1/4 tournant.

2 vægvinkler er påkrævet i en 1/4-svings-trappe.

