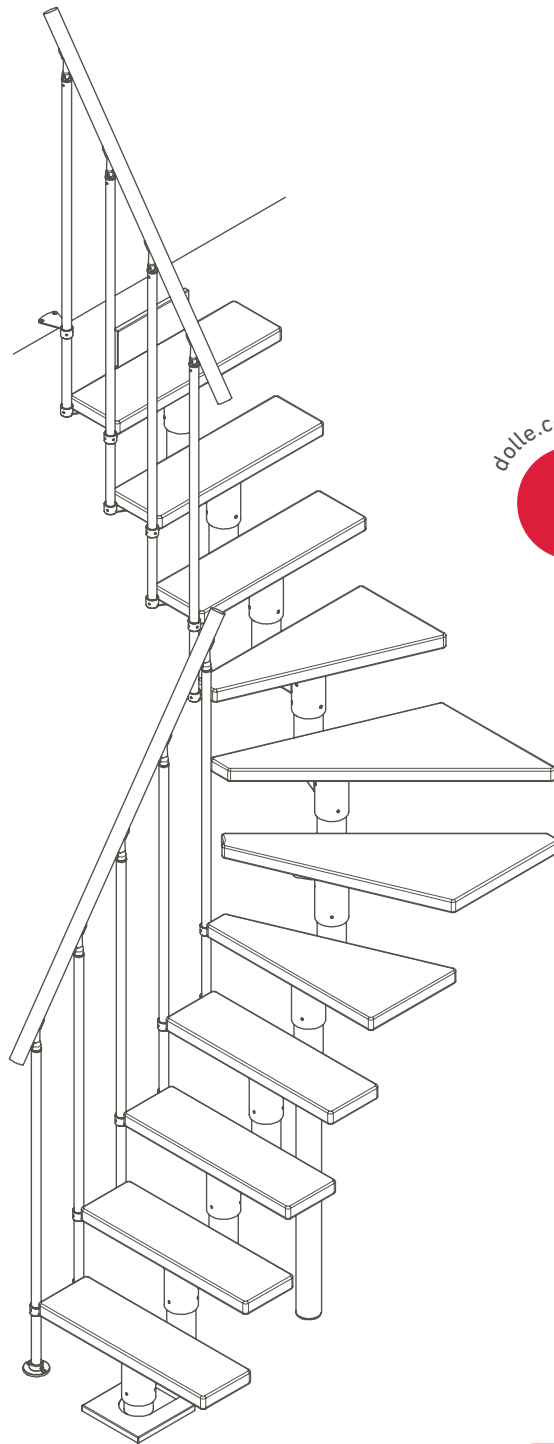


**DOLLE®**



[dolle.com/dublin](https://dolle.com/dublin)



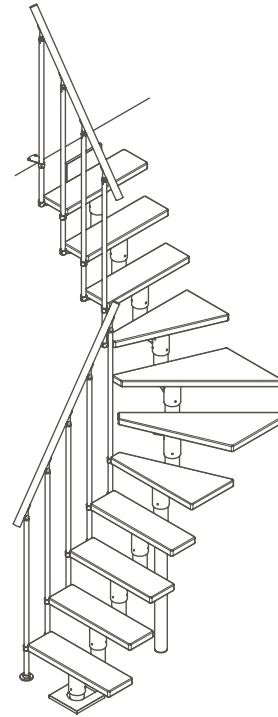
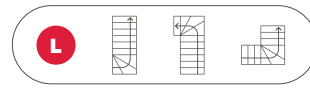
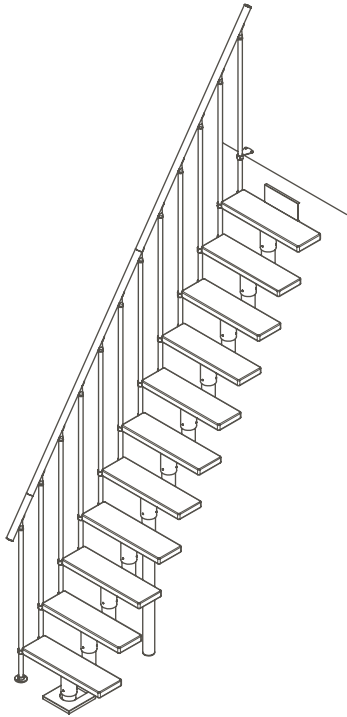
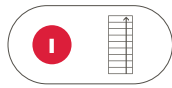
**CLASSIC BANISTER**

# DUBLIN

**INSTRUCTION / MONTAGEANLEITUNG  
INSTRUKTION / INSTRUCCION / INSTRUKCJA**

**SOGEM®**

PART OF DOLLE GROUP



|  |  |                    |                            |
|--|--|--------------------|----------------------------|
|  | Height floor-to-floor                      | Rise height        | Number of treads           |
|  | Geschosshöhe                               | Steigungshöhe      | Anzahl Stufen              |
|  | Hauteur sol-sol                            | Hauteur de marche  | Nombre de marches          |
|  | Altura de suelo/suelo                      | Altura de peldaños | Numero de peldaños         |
|  | Altura do chão / chão                      | Altura do degrau   | Número de etapas (degraus) |
|  | Hoogte vloer/vloer                         | Hoogte trede       | Aantal treden              |
|  | Etagehøjde                                 | Stigningshøjde     | Antal trin                 |
|  | Golv till golv höjd                        | Stigningshöjd      | Antal steg                 |
|  | Wysokość kondygnacji od podłogi do podłogi | Wysokość stopnia   | Ilość stopni               |
|  | Înălțime sol-sol                           | Înălțime treaptă   | Număr trepte               |
|  | Výška patra podlaha-podlaha                | Výška schodu       | Počet nášlapů              |
|  | Высота от пола до пола                     | Шаг ступени        | Кол-во ступеней            |
|  | Aukšto aukštis                             | Pakopos aukštis    | Pakopų kiekis              |
|  | Stāva augstums                             | Pakāpiena augstums | Pakāpienu skaits           |
|  | Korruse kõrgus                             | Astme kõrgus       | Astmete arv                |
|  | Višina nadstropja                          | Višina stopnice    | Število stopnic            |
|  | Visina kata                                | Visina stepenice   | Broj stepenica             |
|  | Výška podlažia                             | Výška stupňa       | Počet stupňov              |

1

x 1  
 K2-1077230 RAL 7016  
 K2-1077231 RAL 9005  
 K2-1077232 Pearl grey

2

|    |    |    |    |    |    |
|----|----|----|----|----|----|
| 11 | 12 | 13 | 14 | 15 |    |
| x  | 8  | 9  | 10 | 11 | 12 |

x 1  
 K2-1077235 RAL 7016  
 K2-1077236 RAL 9005  
 K2-1077237 Pearl grey

3

x 1  
 K2-1077240 RAL 7016  
 K2-1077241 RAL 9005  
 K2-1077242 Pearl grey

4

x 1  
 K2-1077245 RAL 7016  
 K2-1077246 RAL 9005  
 K2-1077247 Pearl grey

5

x 1  
 K2-1077210 RAL 7016  
 K2-1077241 RAL 9005  
 K2-1077242 Pearl grey

6

|    |    |    |    |    |   |
|----|----|----|----|----|---|
| 11 | 12 | 13 | 14 | 15 |   |
| x  | 0  | 0  | 1  | 1  | 1 |

K1-1077280 RAL 7016  
 K1-1077281 RAL 9005  
 K1-1077282 Pearl grey

7

x 1  
 K2-1077030 RAL 7016  
 K2-1077031 RAL 9005  
 K2-1077032 Pearl grey

8

|    |    |    |    |    |    |    |
|----|----|----|----|----|----|----|
| 11 | 12 | 13 | 14 | 15 |    |    |
| I  | 24 | 24 | 26 | 28 | 30 |    |
| x  | L  | 24 | 24 | 24 | 24 | 24 |
|    | U  | 24 | 24 | 24 | 24 | 24 |

K2-1077025 RAL 7016  
 K2-1077026 RAL 9005  
 K2-1077027 Pearl grey

9

x 1  
 K2-1077610 RAL 7016  
 K2-1077611 RAL 9005  
 K2-1077612 Pearl grey

10

|    |    |    |    |    |    |    |
|----|----|----|----|----|----|----|
| 11 | 12 | 13 | 14 | 15 |    |    |
| I  | 13 | 13 | 14 | 15 | 16 |    |
| x  | L  | 13 | 13 | 13 | 13 | 13 |
|    | U  | 13 | 13 | 13 | 13 | 13 |

K2-1077195 RAL 7016  
 K2-1077196 RAL 9005  
 K2-1077197 Pearl grey

11

|    |    |    |    |    |   |
|----|----|----|----|----|---|
| 11 | 12 | 13 | 14 | 15 |   |
| x  | 0  | 0  | 1  | 1  | 1 |

K1-1077290 RAL 7016  
 K1-1077291 RAL 9005  
 K1-1077292 Pearl grey

12

x 1  
 K1-1077070 RAL 7016  
 K1-1077071 RAL 9005  
 K1-1077072 Pearl grey

13

x 1  
 K1-1077175 RAL 7016  
 K1-1077176 RAL 9005  
 K1-1077177 Pearl grey

14

|    |    |    |    |    |    |
|----|----|----|----|----|----|
| 11 | 12 | 13 | 14 | 15 |    |
| x  | 10 | 11 | 12 | 13 | 14 |

K1-1077040 RAL 7016  
 K1-1077041 RAL 9005  
 K1-1077042 Pearl grey

15

|    |    |    |    |    |    |    |
|----|----|----|----|----|----|----|
| 11 | 12 | 13 | 14 | 15 |    |    |
| I  | 12 | 12 | 13 | 14 | 15 |    |
| x  | L  | 12 | 12 | 12 | 12 | 12 |
|    | U  | 12 | 12 | 12 | 12 | 12 |

K1-1077045 RAL 7016  
 K1-1077046 RAL 9005  
 K1-1077047 Pearl grey

16

|    |    |    |    |    |    |    |
|----|----|----|----|----|----|----|
| 11 | 12 | 13 | 14 | 15 |    |    |
| I  | 12 | 12 | 13 | 14 | 15 |    |
| x  | L  | 12 | 12 | 12 | 12 | 12 |
|    | U  | 12 | 12 | 12 | 12 | 12 |

K1-1077655 RAL 7016  
 K1-1077656 RAL 9005  
 K1-1077657 Pearl grey

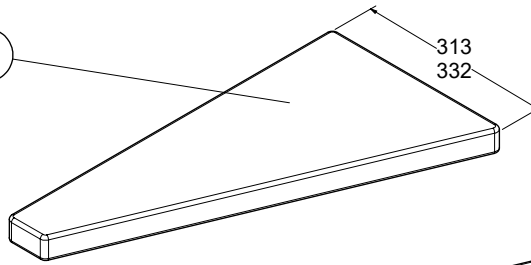
17

x 1  
 K1-1077650 RAL 7016  
 K1-1077651 RAL 9005  
 K1-1077652 Pearl grey

|   |   |   |
|---|---|---|
|   | I | 0 |
| x | L | 1 |
|   | U | 2 |

24

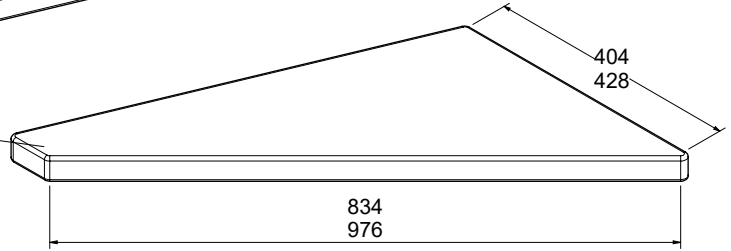
- M2-1078109 610mm Beech / Buche / Beuk / Hêtre / Bøg
- M2-1078119 610mm Oak / Eiche / Eik / Chêne / Eg
- M2-1078159 710mm Beech / Buche / Beuk / Hêtre / Bøg
- M2-1078169 710mm Oak / Eiche / Eik / Chêne / Eg



- M2-1078108 610mm Beech / Buche / Beuk / Hêtre / Bøg
- M2-1078118 610mm Oak / Eiche / Eik / Chêne / Eg
- M2-1078158 710mm Beech / Buche / Beuk / Hêtre / Bøg
- M2-1078168 710mm Oak / Eiche / Eik / Chêne / Eg

23

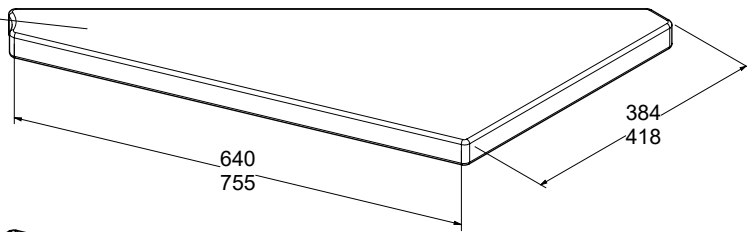
|   |   |   |
|---|---|---|
|   | I | 0 |
| x | L | 1 |
|   | U | 2 |



- M2-1078107 610mm Beech / Buche / Beuk / Hêtre / Bøg
- M2-1078117 610mm Oak / Eiche / Eik / Chêne / Eg
- M2-1078157 710mm Beech / Buche / Beuk / Hêtre / Bøg
- M2-1078167 710mm Oak / Eiche / Eik / Chêne / Eg

22

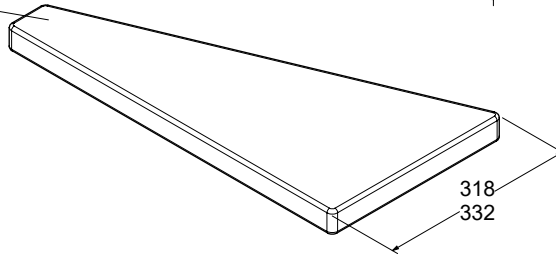
|   |   |   |
|---|---|---|
|   | I | 0 |
| x | L | 1 |
|   | U | 2 |



- M2-1078106 610mm Beech / Buche / Beuk / Hêtre / Bøg
- M2-1078116 610mm Oak / Eiche / Eik / Chêne / Eg
- M2-1078156 710mm Beech / Buche / Beuk / Hêtre / Bøg
- M2-1078166 710mm Oak / Eiche / Eik / Chêne / Eg

21

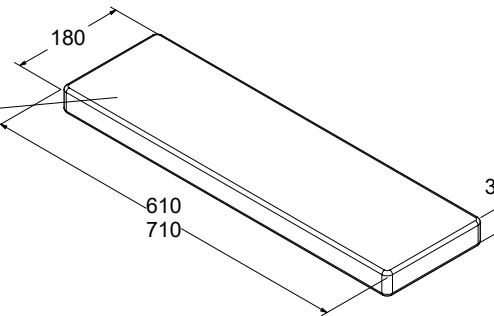
|   |   |   |
|---|---|---|
|   | I | 0 |
| x | L | 1 |
|   | U | 2 |



|   |    |    |    |    |    |    |
|---|----|----|----|----|----|----|
|   | 11 | 12 | 13 | 14 | 15 |    |
|   | I  | 11 | 12 | 13 | 14 | 15 |
| x | L  | 7  | 8  | 9  | 10 | 11 |
|   | U  | 3  | 4  | 5  | 6  | 7  |

20

- M2-1078101 610mm Beech / Buche / Beuk / Hêtre / Bøg
- M2-1078111 610mm Oak / Eiche / Eik / Chêne / Eg
- M2-1078151 710mm Beech / Buche / Beuk / Hêtre / Bøg
- M2-1078161 710mm Oak / Eiche / Eik / Chêne / Eg



27

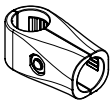
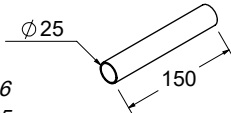
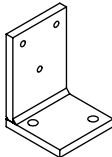
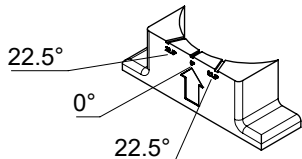
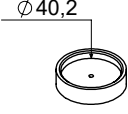


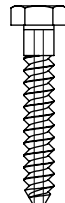


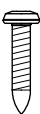





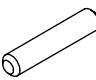



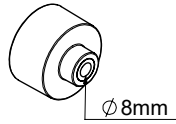


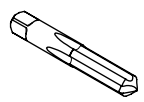

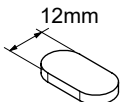


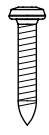



x 6  
 K1-1077150 RAL 7016  
 K1-1077151 RAL 9005  
 K1-1077152 Pearl grey

32

Ø40  
 1500

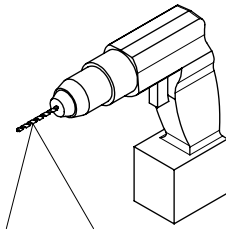
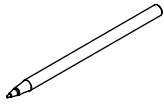
|   |    |    |    |    |    |   |
|---|----|----|----|----|----|---|
|   | 11 | 12 | 13 | 14 | 15 |   |
|   | I  | 3  | 3  | 3  | 3  | 3 |
| x | L  | 2  | 2  | 3  | 3  | 3 |
|   | U  | 2  | 2  | 2  | 2  | 2 |

1078905 Beech / Buche / Beuk / Hêtre / Bøg  
 1078915 Oak / Eiche / Eik / Chêne / Eg

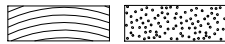
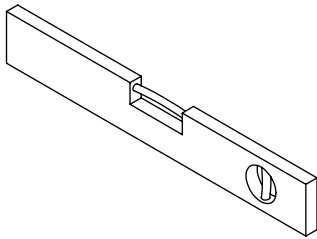
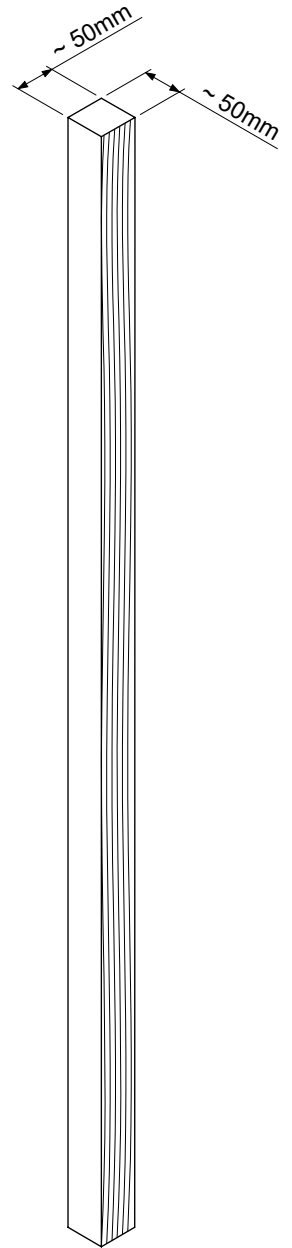
|   |   |  |  |     |     |    |    |     |     |     |     |     |    |     |     |     |     |     |   |     |     |     |     |     |  |  |  |    |    |    |    |   |    |    |    |    |    |   |    |    |    |    |    |   |    |    |    |    |    |   |  |    |    |    |    |    |   |    |    |    |    |    |   |    |    |    |    |    |   |    |    |    |    |    |   |
|---|---|--|--|-----|-----|----|----|-----|-----|-----|-----|-----|----|-----|-----|-----|-----|-----|---|-----|-----|-----|-----|-----|--|--|--|----|----|----|----|---|----|----|----|----|----|---|----|----|----|----|----|---|----|----|----|----|----|---|--|----|----|----|----|----|---|----|----|----|----|----|---|----|----|----|----|----|---|----|----|----|----|----|---|
| <p>34</p> <p>x 4<br/>K2-1077170 RAL 7016<br/>K2-1077171 RAL 9005<br/>K2-1077172 Pearl grey<br/>K2-1077173 RAL 9016</p>   | <p>35</p> <p>x 2<br/>K1-1077165 RAL 7016<br/>K1-1077166 RAL 9005<br/>K1-1077167 Pearl grey<br/>K1-1077168 RAL 9016</p>  | <p>36</p> <p>x 4<br/>K1-1077295 RAL 7016<br/>K1-1077296 RAL 9005<br/>K1-1077297 Pearl grey<br/>K1-1077298 RAL 9016</p>                          |  |     |     |    |    |     |     |     |     |     |    |     |     |     |     |     |   |     |     |     |     |     |  |  |  |    |    |    |    |   |    |    |    |    |    |   |    |    |    |    |    |   |    |    |    |    |    |   |  |    |    |    |    |    |   |    |    |    |    |    |   |    |    |    |    |    |   |    |    |    |    |    |   |
| <p>37</p> <p>x 1<br/>K1-08270</p>    | <p>38</p> <p>x 1<br/>K1-01620</p>    |  |  |     |     |    |    |     |     |     |     |     |    |     |     |     |     |     |   |     |     |     |     |     |  |  |  |    |    |    |    |   |    |    |    |    |    |   |    |    |    |    |    |   |    |    |    |    |    |   |  |    |    |    |    |    |   |    |    |    |    |    |   |    |    |    |    |    |   |    |    |    |    |    |   |
| <p>40</p> <p>x 17<br/>K3-08001<br/>Ø12 x 60</p>    | <p>41</p> <p>x 17<br/>K3-04001<br/>Ø10</p>   | <p>42</p> <p>x 17<br/>K3-06003<br/>Ø10 x 60</p>   | <p>43</p> <table border="1" data-bbox="1157 638 1412 705"> <tr> <td></td> <td>11</td> <td>12</td> <td>13</td> <td>14</td> <td>15</td> </tr> <tr> <td>x</td> <td>61</td> <td>66</td> <td>71</td> <td>76</td> <td>81</td> </tr> </table> <p>K3-05003<br/>M8 x 6</p> <br> |     | 11  | 12 | 13 | 14  | 15  | x   | 61  | 66  | 71 | 76  | 81  |     |     |     |   |     |     |     |     |     |  |  |  |    |    |    |    |   |    |    |    |    |    |   |    |    |    |    |    |   |    |    |    |    |    |   |  |    |    |    |    |    |   |    |    |    |    |    |   |    |    |    |    |    |   |    |    |    |    |    |   |
|   | 11  | 12   | 13   | 14  | 15  |    |    |     |     |     |     |     |    |     |     |     |     |     |   |     |     |     |     |     |  |  |  |    |    |    |    |   |    |    |    |    |    |   |    |    |    |    |    |   |    |    |    |    |    |   |  |    |    |    |    |    |   |    |    |    |    |    |   |    |    |    |    |    |   |    |    |    |    |    |   |
| x   | 61  | 66   | 71   | 76  | 81  |    |    |     |     |     |     |     |    |     |     |     |     |     |   |     |     |     |     |     |  |  |  |    |    |    |    |   |    |    |    |    |    |   |    |    |    |    |    |   |    |    |    |    |    |   |  |    |    |    |    |    |   |    |    |    |    |    |   |    |    |    |    |    |   |    |    |    |    |    |   |
| <p>44</p> <table border="1" data-bbox="79 817 359 929"> <tr> <td></td> <td>11</td> <td>12</td> <td>13</td> <td>14</td> <td>15</td> </tr> <tr> <td>I</td> <td>108</td> <td>114</td> <td>124</td> <td>134</td> <td>144</td> </tr> <tr> <td>L</td> <td>108</td> <td>114</td> <td>120</td> <td>126</td> <td>132</td> </tr> <tr> <td>U</td> <td>108</td> <td>114</td> <td>120</td> <td>126</td> <td>132</td> </tr> </table> <p>K3-06130<br/>Ø6 x 30 TX30</p>   |   | 11   | 12   | 13  | 14  | 15 | I  | 108 | 114 | 124 | 134 | 144 | L  | 108 | 114 | 120 | 126 | 132 | U | 108 | 114 | 120 | 126 | 132 | <p>45</p> <table border="1" data-bbox="438 817 702 929"> <tr> <td></td> <td>11</td> <td>12</td> <td>13</td> <td>14</td> <td>15</td> </tr> <tr> <td>I</td> <td>50</td> <td>50</td> <td>54</td> <td>58</td> <td>62</td> </tr> <tr> <td>L</td> <td>50</td> <td>50</td> <td>50</td> <td>50</td> <td>50</td> </tr> <tr> <td>U</td> <td>50</td> <td>50</td> <td>50</td> <td>50</td> <td>50</td> </tr> </table> <p>K3-05056<br/>M6 x 5</p> <br> |  | 11   | 12 | 13 | 14 | 15 | I | 50 | 50 | 54 | 58 | 62 | L | 50 | 50 | 50 | 50 | 50 | U | 50 | 50 | 50 | 50 | 50 | <p>46</p> <table border="1" data-bbox="798 817 1061 929"> <tr> <td></td> <td>11</td> <td>12</td> <td>13</td> <td>14</td> <td>15</td> </tr> <tr> <td>I</td> <td>13</td> <td>13</td> <td>14</td> <td>15</td> <td>16</td> </tr> <tr> <td>L</td> <td>13</td> <td>13</td> <td>13</td> <td>13</td> <td>13</td> </tr> <tr> <td>U</td> <td>13</td> <td>13</td> <td>13</td> <td>13</td> <td>13</td> </tr> </table> <p>K3-05002<br/>M6 x 8</p> <br> |  | 11 | 12 | 13 | 14 | 15 | I | 13 | 13 | 14 | 15 | 16 | L | 13 | 13 | 13 | 13 | 13 | U | 13 | 13 | 13 | 13 | 13 | <p>47</p> <p>x 8<br/>R3-91415<br/>Ø8 x 40</p>  |
|   | 11  | 12   | 13   | 14  | 15  |    |    |     |     |     |     |     |    |     |     |     |     |     |   |     |     |     |     |     |  |  |  |    |    |    |    |   |    |    |    |    |    |   |    |    |    |    |    |   |    |    |    |    |    |   |  |    |    |    |    |    |   |    |    |    |    |    |   |    |    |    |    |    |   |    |    |    |    |    |   |
| I   | 108   | 114  | 124  | 134 | 144 |    |    |     |     |     |     |     |    |     |     |     |     |     |   |     |     |     |     |     |  |  |  |    |    |    |    |   |    |    |    |    |    |   |    |    |    |    |    |   |    |    |    |    |    |   |  |    |    |    |    |    |   |    |    |    |    |    |   |    |    |    |    |    |   |    |    |    |    |    |   |
| L   | 108   | 114  | 120  | 126 | 132 |    |    |     |     |     |     |     |    |     |     |     |     |     |   |     |     |     |     |     |  |  |  |    |    |    |    |   |    |    |    |    |    |   |    |    |    |    |    |   |    |    |    |    |    |   |  |    |    |    |    |    |   |    |    |    |    |    |   |    |    |    |    |    |   |    |    |    |    |    |   |
| U   | 108   | 114  | 120  | 126 | 132 |    |    |     |     |     |     |     |    |     |     |     |     |     |   |     |     |     |     |     |  |  |  |    |    |    |    |   |    |    |    |    |    |   |    |    |    |    |    |   |    |    |    |    |    |   |  |    |    |    |    |    |   |    |    |    |    |    |   |    |    |    |    |    |   |    |    |    |    |    |   |
|   | 11  | 12   | 13   | 14  | 15  |    |    |     |     |     |     |     |    |     |     |     |     |     |   |     |     |     |     |     |  |  |  |    |    |    |    |   |    |    |    |    |    |   |    |    |    |    |    |   |    |    |    |    |    |   |  |    |    |    |    |    |   |    |    |    |    |    |   |    |    |    |    |    |   |    |    |    |    |    |   |
| I   | 50  | 50   | 54   | 58  | 62  |    |    |     |     |     |     |     |    |     |     |     |     |     |   |     |     |     |     |     |  |  |  |    |    |    |    |   |    |    |    |    |    |   |    |    |    |    |    |   |    |    |    |    |    |   |  |    |    |    |    |    |   |    |    |    |    |    |   |    |    |    |    |    |   |    |    |    |    |    |   |
| L   | 50  | 50   | 50   | 50  | 50  |    |    |     |     |     |     |     |    |     |     |     |     |     |   |     |     |     |     |     |  |  |  |    |    |    |    |   |    |    |    |    |    |   |    |    |    |    |    |   |    |    |    |    |    |   |  |    |    |    |    |    |   |    |    |    |    |    |   |    |    |    |    |    |   |    |    |    |    |    |   |
| U   | 50  | 50   | 50   | 50  | 50  |    |    |     |     |     |     |     |    |     |     |     |     |     |   |     |     |     |     |     |  |  |  |    |    |    |    |   |    |    |    |    |    |   |    |    |    |    |    |   |    |    |    |    |    |   |  |    |    |    |    |    |   |    |    |    |    |    |   |    |    |    |    |    |   |    |    |    |    |    |   |
|   | 11  | 12   | 13   | 14  | 15  |    |    |     |     |     |     |     |    |     |     |     |     |     |   |     |     |     |     |     |  |  |  |    |    |    |    |   |    |    |    |    |    |   |    |    |    |    |    |   |    |    |    |    |    |   |  |    |    |    |    |    |   |    |    |    |    |    |   |    |    |    |    |    |   |    |    |    |    |    |   |
| I   | 13  | 13   | 14   | 15  | 16  |    |    |     |     |     |     |     |    |     |     |     |     |     |   |     |     |     |     |     |  |  |  |    |    |    |    |   |    |    |    |    |    |   |    |    |    |    |    |   |    |    |    |    |    |   |  |    |    |    |    |    |   |    |    |    |    |    |   |    |    |    |    |    |   |    |    |    |    |    |   |
| L   | 13  | 13   | 13   | 13  | 13  |    |    |     |     |     |     |     |    |     |     |     |     |     |   |     |     |     |     |     |  |  |  |    |    |    |    |   |    |    |    |    |    |   |    |    |    |    |    |   |    |    |    |    |    |   |  |    |    |    |    |    |   |    |    |    |    |    |   |    |    |    |    |    |   |    |    |    |    |    |   |
| U   | 13  | 13   | 13   | 13  | 13  |    |    |     |     |     |     |     |    |     |     |     |     |     |   |     |     |     |     |     |  |  |  |    |    |    |    |   |    |    |    |    |    |   |    |    |    |    |    |   |    |    |    |    |    |   |  |    |    |    |    |    |   |    |    |    |    |    |   |    |    |    |    |    |   |    |    |    |    |    |   |
| <p>48</p> <table border="1" data-bbox="79 1052 343 1164"> <tr> <td></td> <td>11</td> <td>12</td> <td>13</td> <td>14</td> <td>15</td> </tr> <tr> <td>I</td> <td>13</td> <td>13</td> <td>14</td> <td>15</td> <td>16</td> </tr> <tr> <td>L</td> <td>13</td> <td>13</td> <td>13</td> <td>13</td> <td>13</td> </tr> <tr> <td>U</td> <td>13</td> <td>13</td> <td>13</td> <td>13</td> <td>13</td> </tr> </table> <p>K3-06008<br/>Ø5 x 25 PZ2</p>             |   | 11   | 12   | 13  | 14  | 15 | I  | 13  | 13  | 14  | 15  | 16  | L  | 13  | 13  | 13  | 13  | 13  | U | 13  | 13  | 13  | 13  | 13  | <p>49</p> <p>x 1<br/>K3-90001</p> <p>Super glue</p>   | <p>50</p> <p>x 1<br/>K1-01810</p>  | <p>51</p> <p>x 2<br/>K3-06022<br/>Ø5 x 35 TX25</p>   |    |    |    |    |   |    |    |    |    |    |   |    |    |    |    |    |   |    |    |    |    |    |   |  |    |    |    |    |    |   |    |    |    |    |    |   |    |    |    |    |    |   |    |    |    |    |    |   |
|   | 11  | 12   | 13   | 14  | 15  |    |    |     |     |     |     |     |    |     |     |     |     |     |   |     |     |     |     |     |  |  |  |    |    |    |    |   |    |    |    |    |    |   |    |    |    |    |    |   |    |    |    |    |    |   |  |    |    |    |    |    |   |    |    |    |    |    |   |    |    |    |    |    |   |    |    |    |    |    |   |
| I   | 13  | 13   | 14   | 15  | 16  |    |    |     |     |     |     |     |    |     |     |     |     |     |   |     |     |     |     |     |  |  |  |    |    |    |    |   |    |    |    |    |    |   |    |    |    |    |    |   |    |    |    |    |    |   |  |    |    |    |    |    |   |    |    |    |    |    |   |    |    |    |    |    |   |    |    |    |    |    |   |
| L   | 13  | 13   | 13   | 13  | 13  |    |    |     |     |     |     |     |    |     |     |     |     |     |   |     |     |     |     |     |  |  |  |    |    |    |    |   |    |    |    |    |    |   |    |    |    |    |    |   |    |    |    |    |    |   |  |    |    |    |    |    |   |    |    |    |    |    |   |    |    |    |    |    |   |    |    |    |    |    |   |
| U   | 13  | 13   | 13   | 13  | 13  |    |    |     |     |     |     |     |    |     |     |     |     |     |   |     |     |     |     |     |  |  |  |    |    |    |    |   |    |    |    |    |    |   |    |    |    |    |    |   |    |    |    |    |    |   |  |    |    |    |    |    |   |    |    |    |    |    |   |    |    |    |    |    |   |    |    |    |    |    |   |
| <p>55</p> <p>x 1<br/>K3-10010<br/>M8</p>   | <p>56</p> <p>x 2<br/>K3-08006<br/>Ø6 x 40</p>    | <p>58</p> <p>x 8<br/>R3-20590</p>   |  |     |     |    |    |     |     |     |     |     |    |     |     |     |     |     |   |     |     |     |     |     |  |  |  |    |    |    |    |   |    |    |    |    |    |   |    |    |    |    |    |   |    |    |    |    |    |   |  |    |    |    |    |    |   |    |    |    |    |    |   |    |    |    |    |    |   |    |    |    |    |    |   |
| <p>59</p> <p>x 1<br/>K3-90005</p> <p>Wood glue<br/>Holzkleber<br/>Colle à bois<br/>Trælim</p>    | <p>60</p> <p>x 4<br/>K3-08002<br/>Ø8 x 40</p>    | <p>61</p> <p>x 12<br/>R1-63267<br/>Ø6 x 35 TX30</p> <br> | <p>62</p> <p>x 4<br/>K3-06027<br/>Ø5 x 50 TX25</p> <br>  |     |     |    |    |     |     |     |     |     |    |     |     |     |     |     |   |     |     |     |     |     |  |  |  |    |    |    |    |   |    |    |    |    |    |   |    |    |    |    |    |   |    |    |    |    |    |   |  |    |    |    |    |    |   |    |    |    |    |    |   |    |    |    |    |    |   |    |    |    |    |    |   |



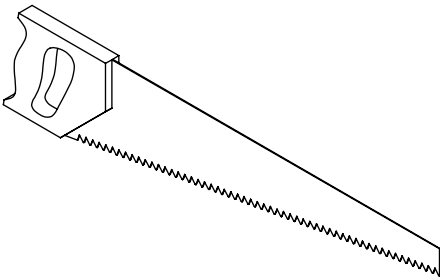
Tools not included!  
Werkzeuge nicht enthalten!  
Gereedschap niet inbegrepen!  
Outils non inclus!  
Værktøj ikke inkluderet!



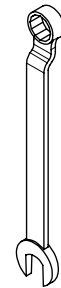
TX25  
TX30  
PZ2



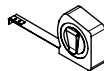
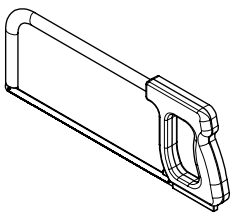
∅ 3mm ∅ 6mm  
∅ 4mm ∅ 12mm  
∅ 6mm  
∅ 8mm  
∅ 10mm



3mm  
4mm  
6mm



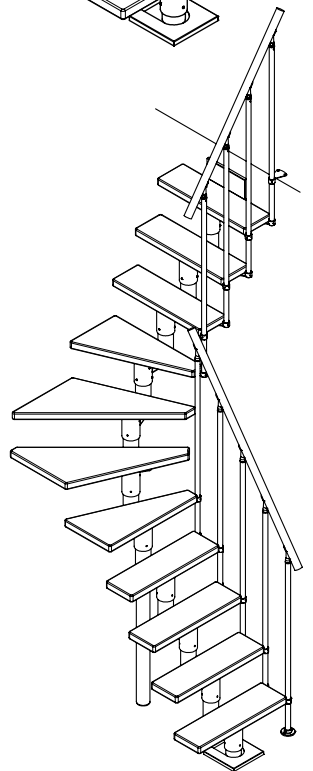
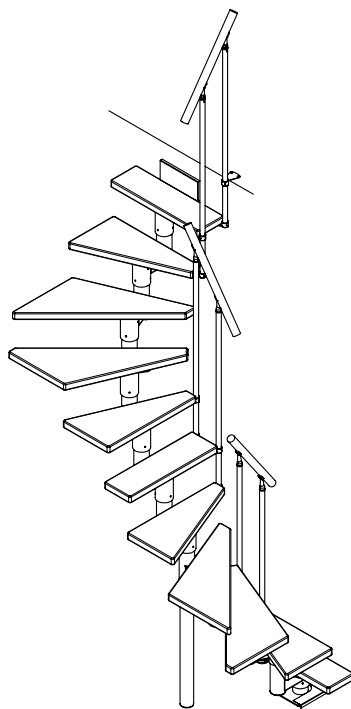
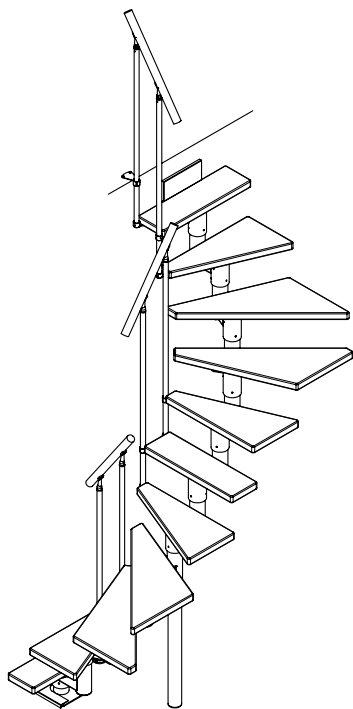
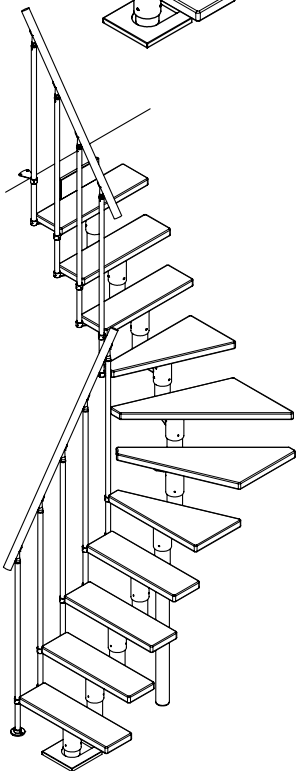
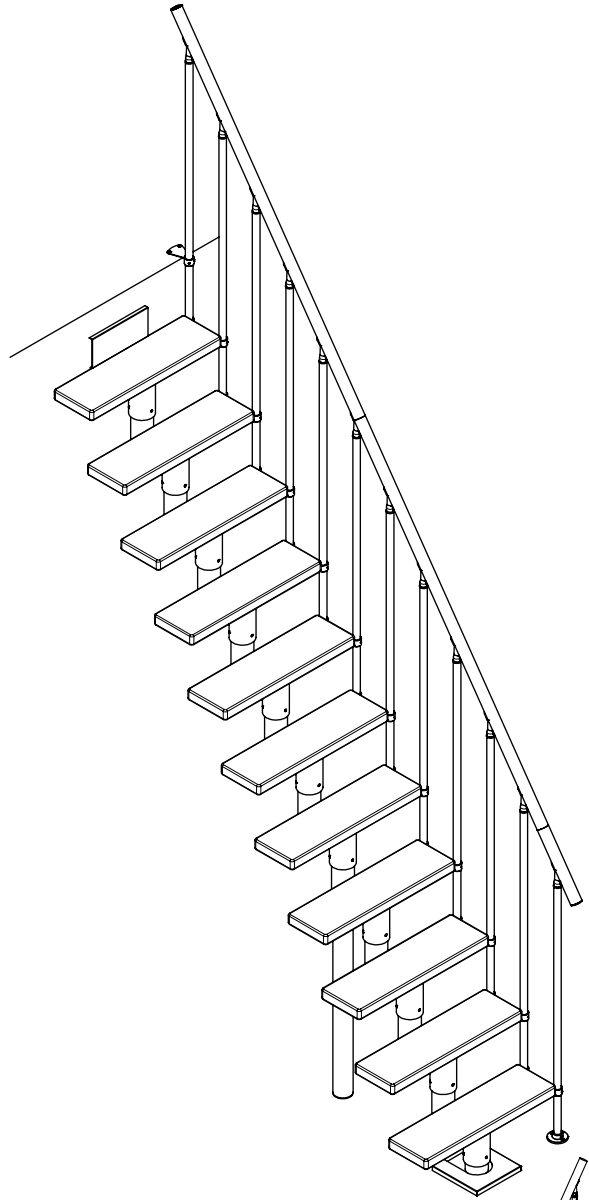
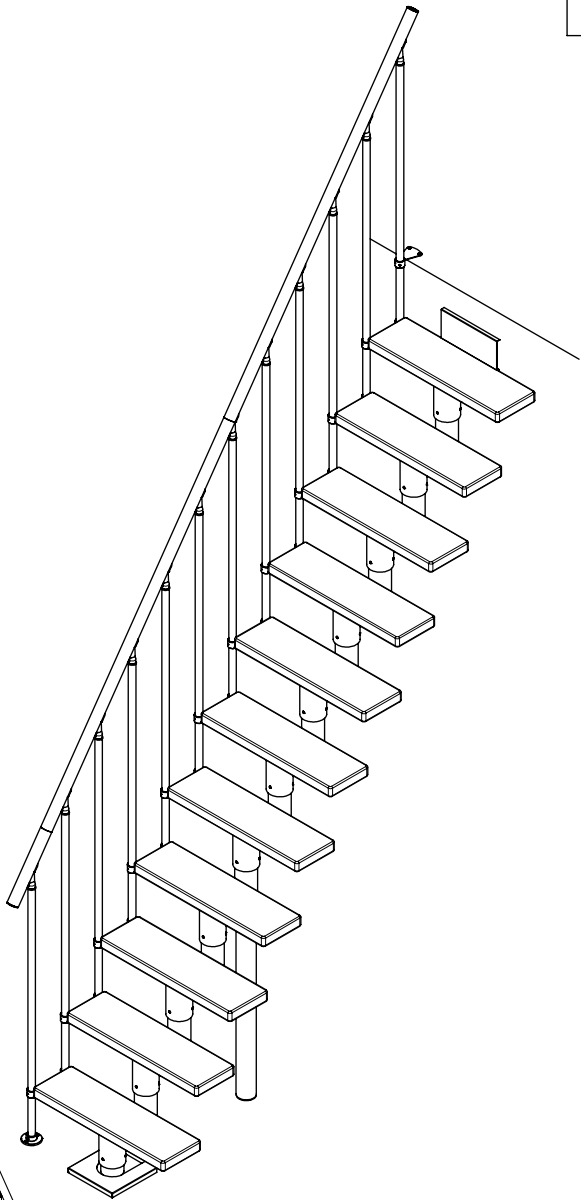
16mm

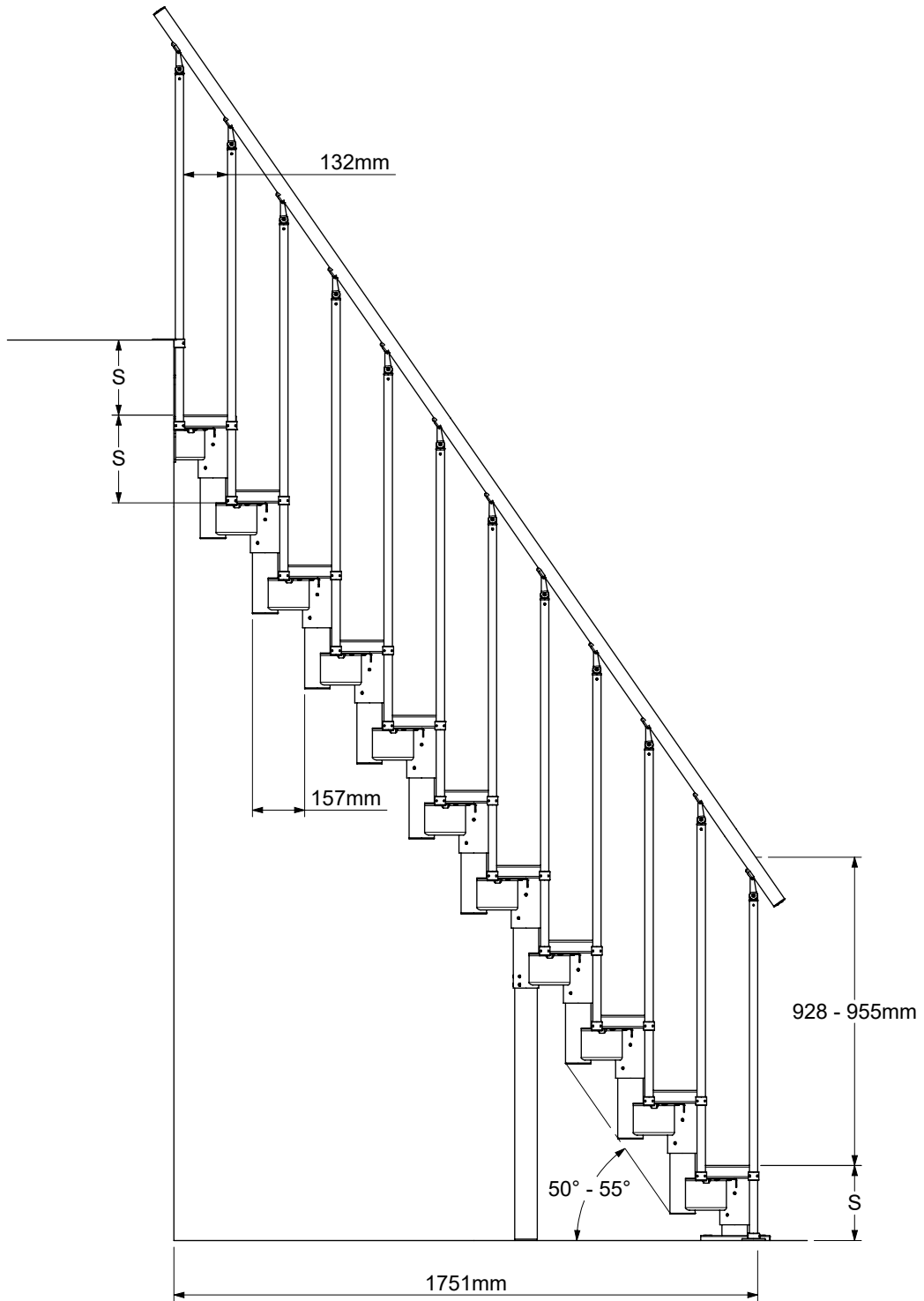




L

R





$$S = \frac{H}{T + 1}$$

| min S  | max S  |
|--------|--------|
| 185 mm | 225 mm |

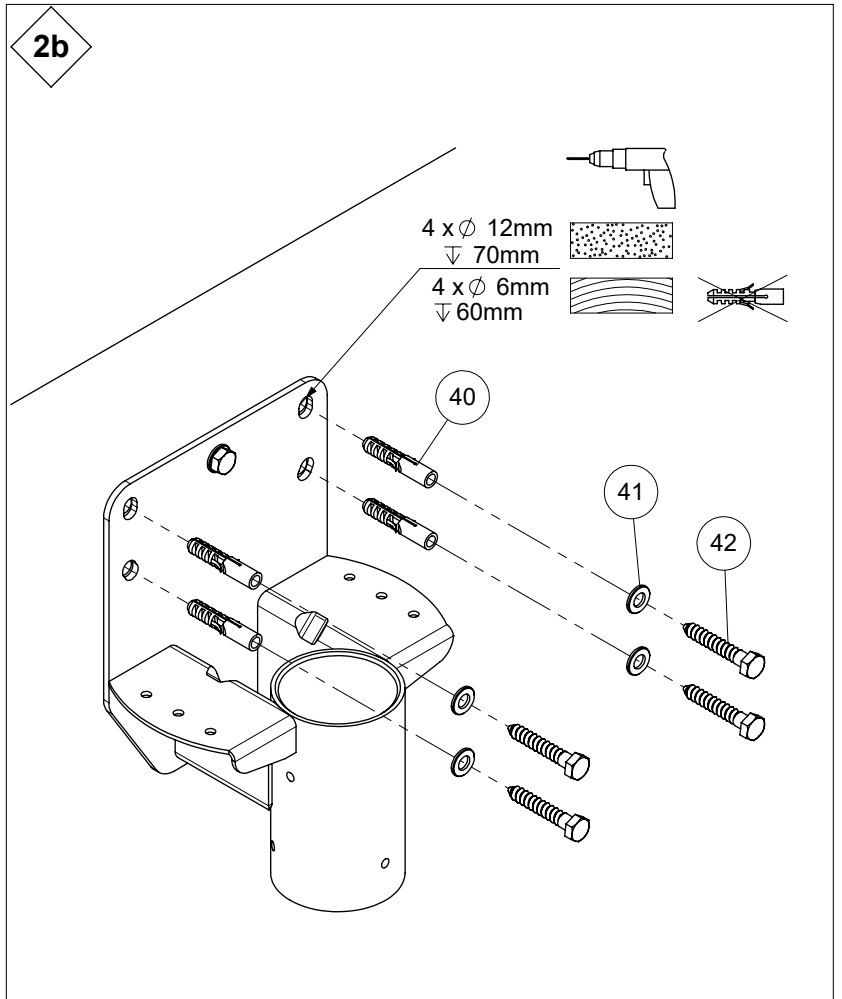
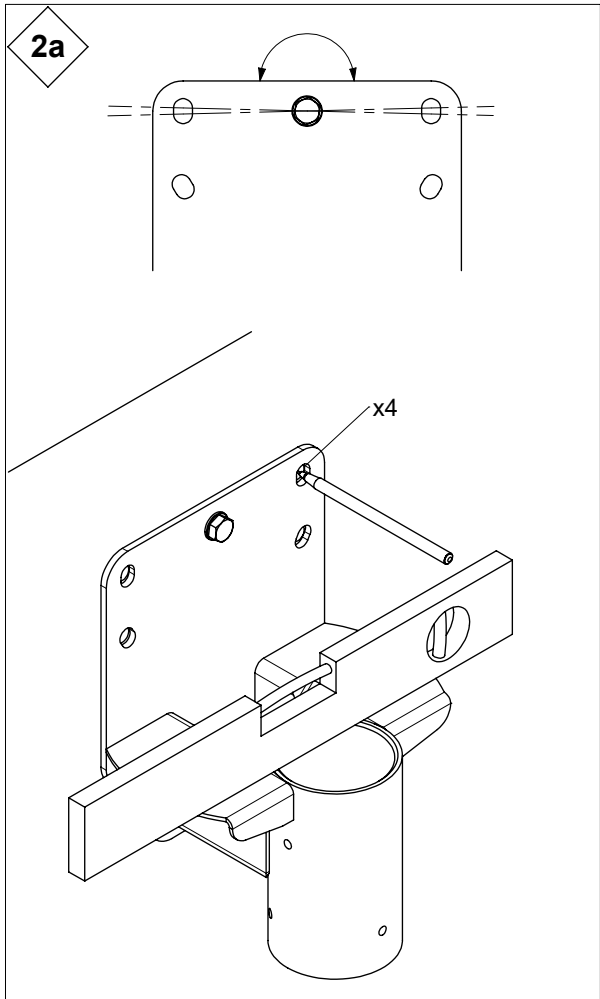
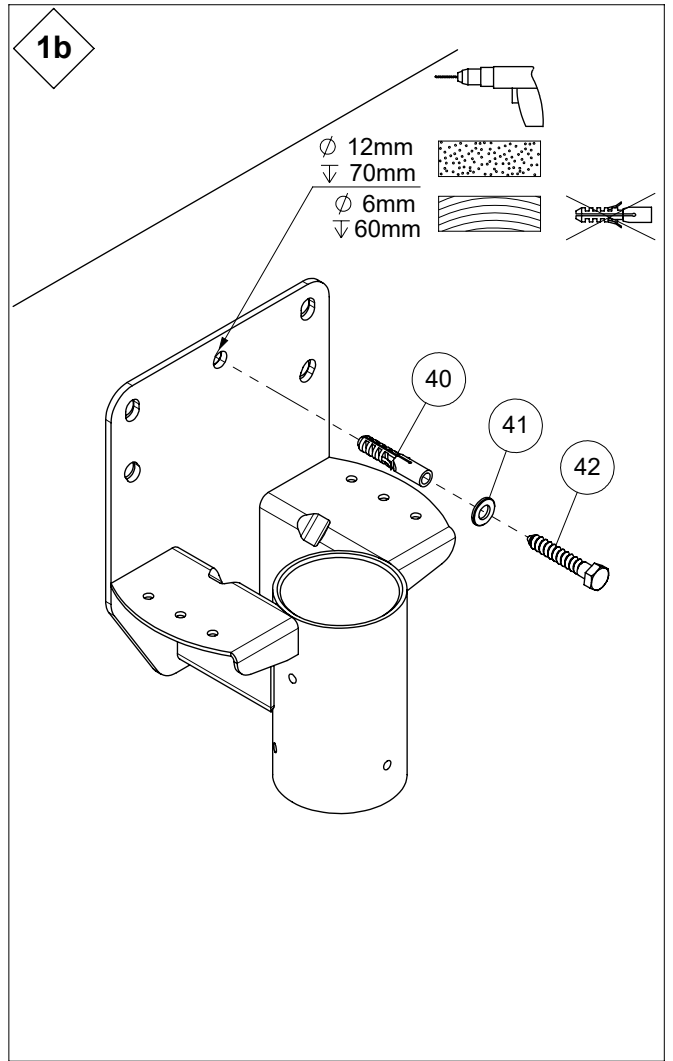
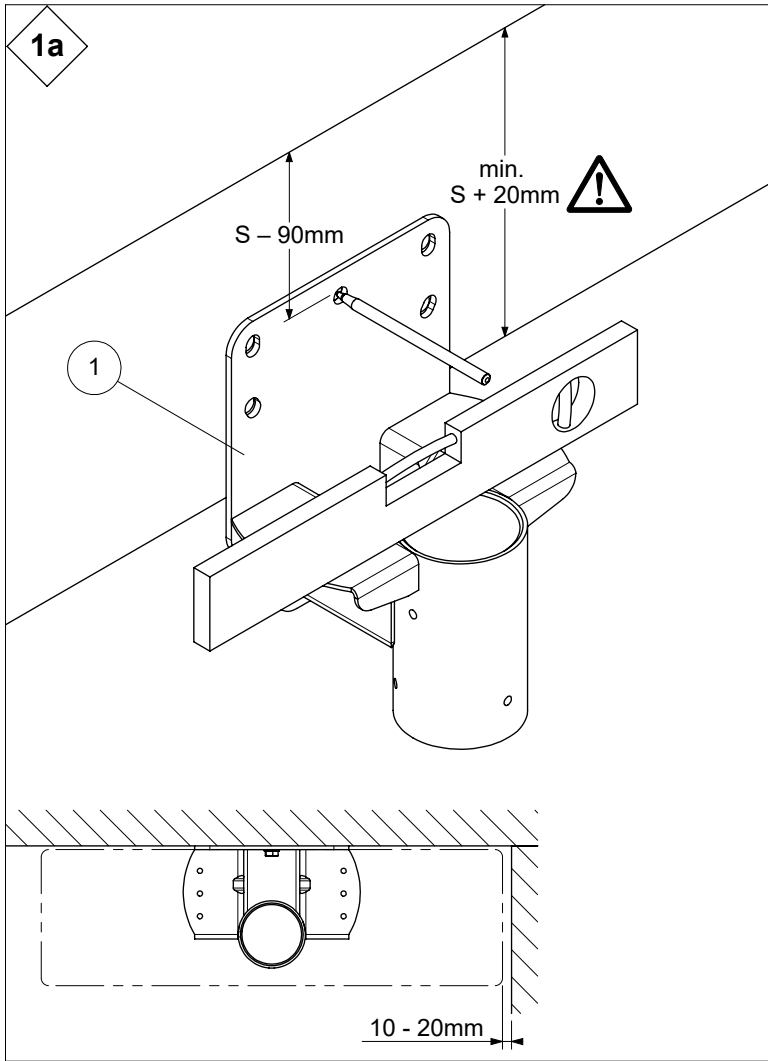
Example / Beispiel / Voorbeeld / Example / Eksempel:  
 H: 2400 mm, T: 11 st(pcs)

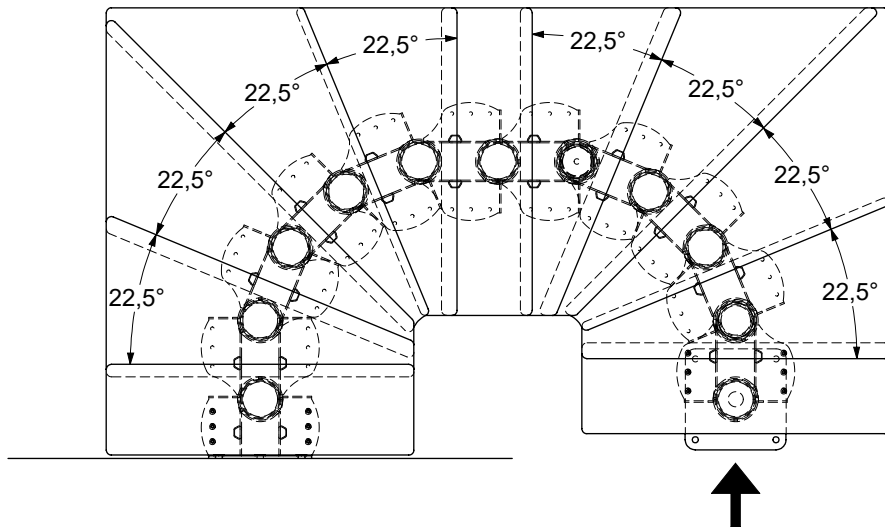
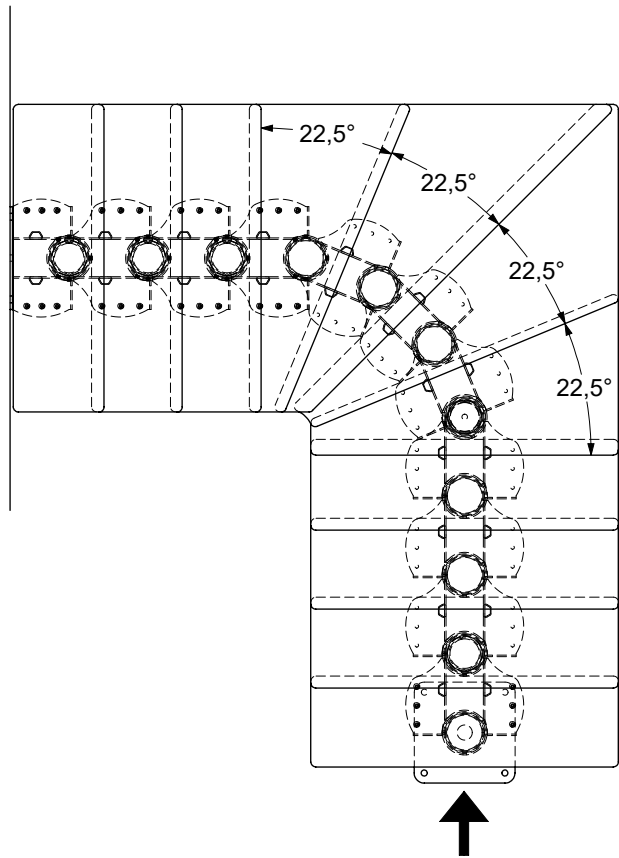
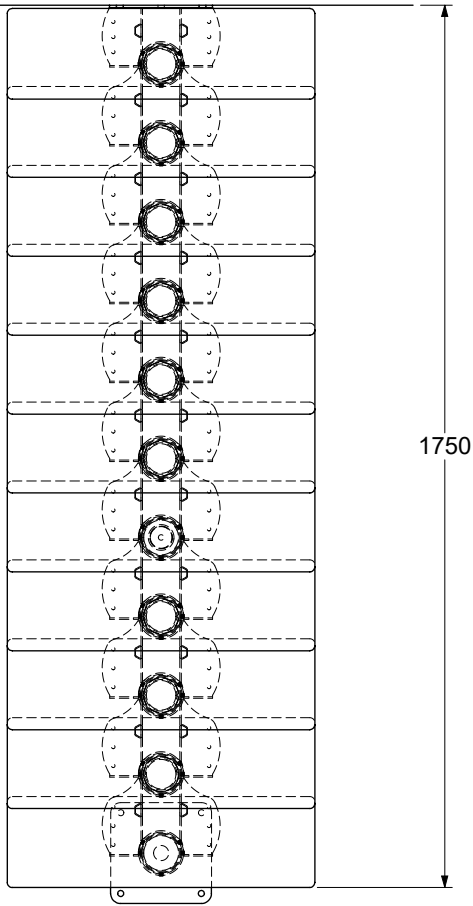
$$S = \frac{2400 \text{ mm}}{11 + 1} = 200 \text{ mm}$$

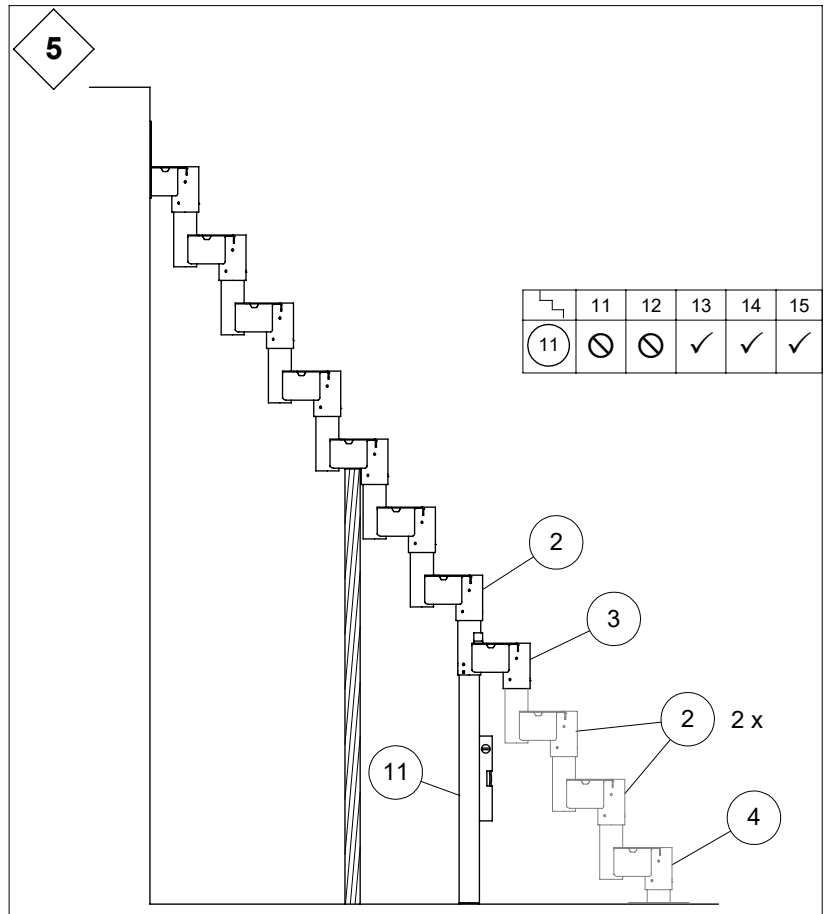
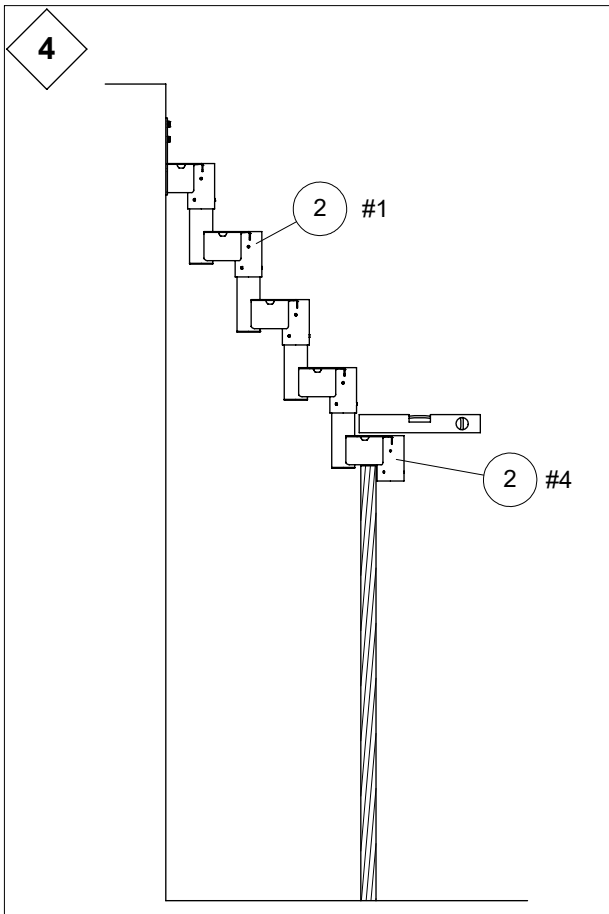
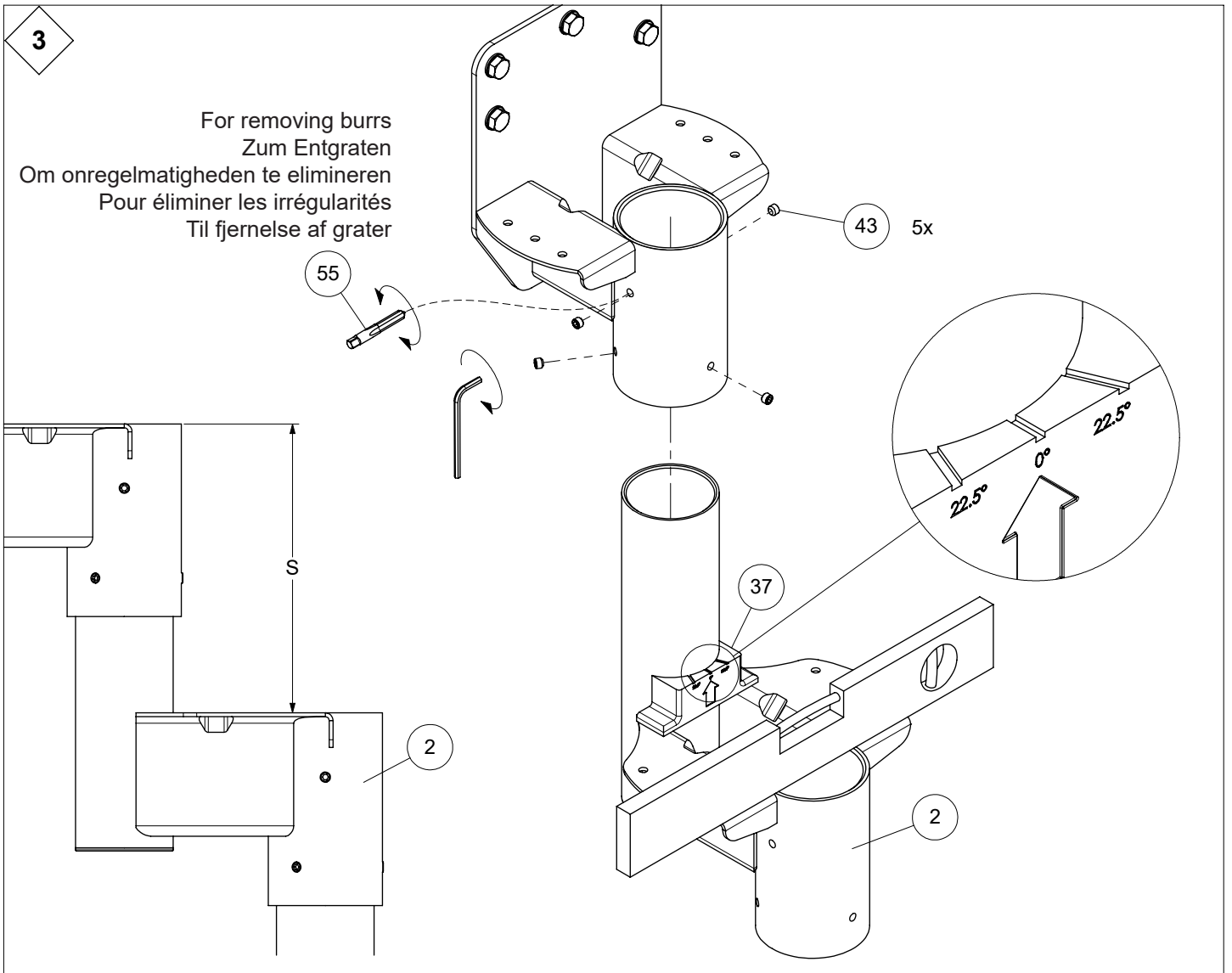


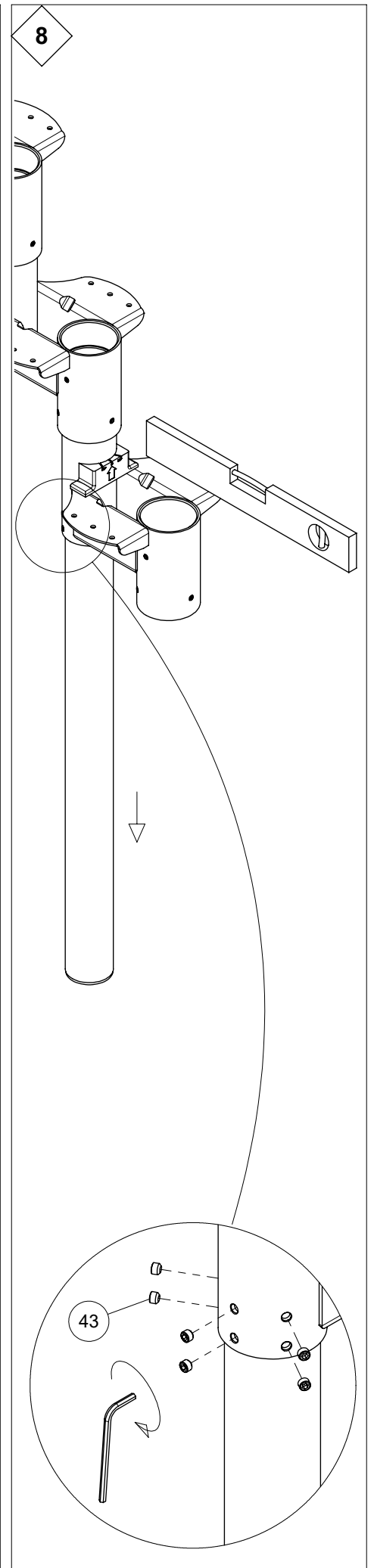
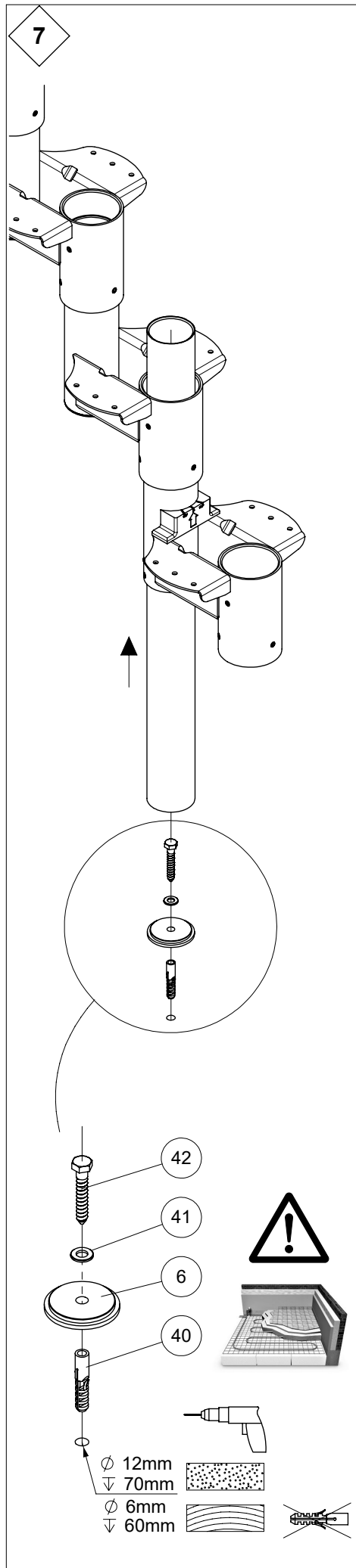
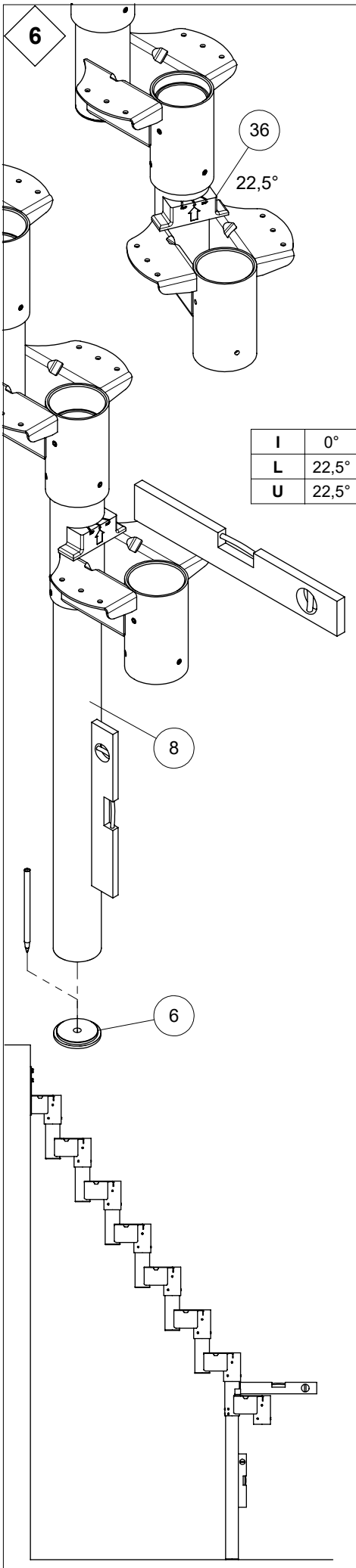
| T  | min H   | max H   |
|----|---------|---------|
| 9  | 1850 mm | 2250 mm |
| 10 | 2035 mm | 2475 mm |
| 11 | 2220 mm | 2700 mm |
| 12 | 2405 mm | 2925 mm |
| 13 | 2590 mm | 3150 mm |
| 14 | 2775 mm | 3375 mm |
| 15 | 2960 mm | 3600 mm |



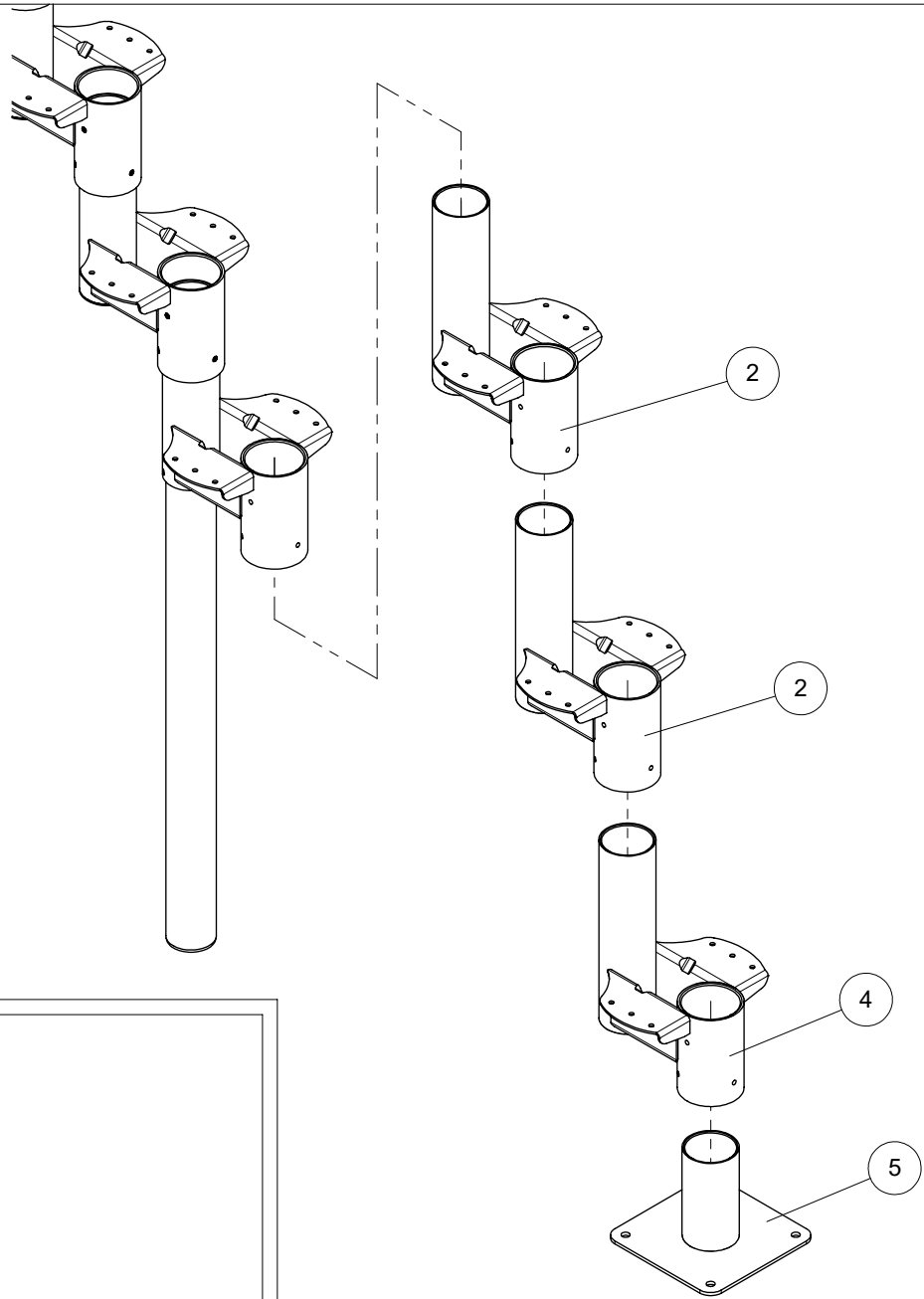




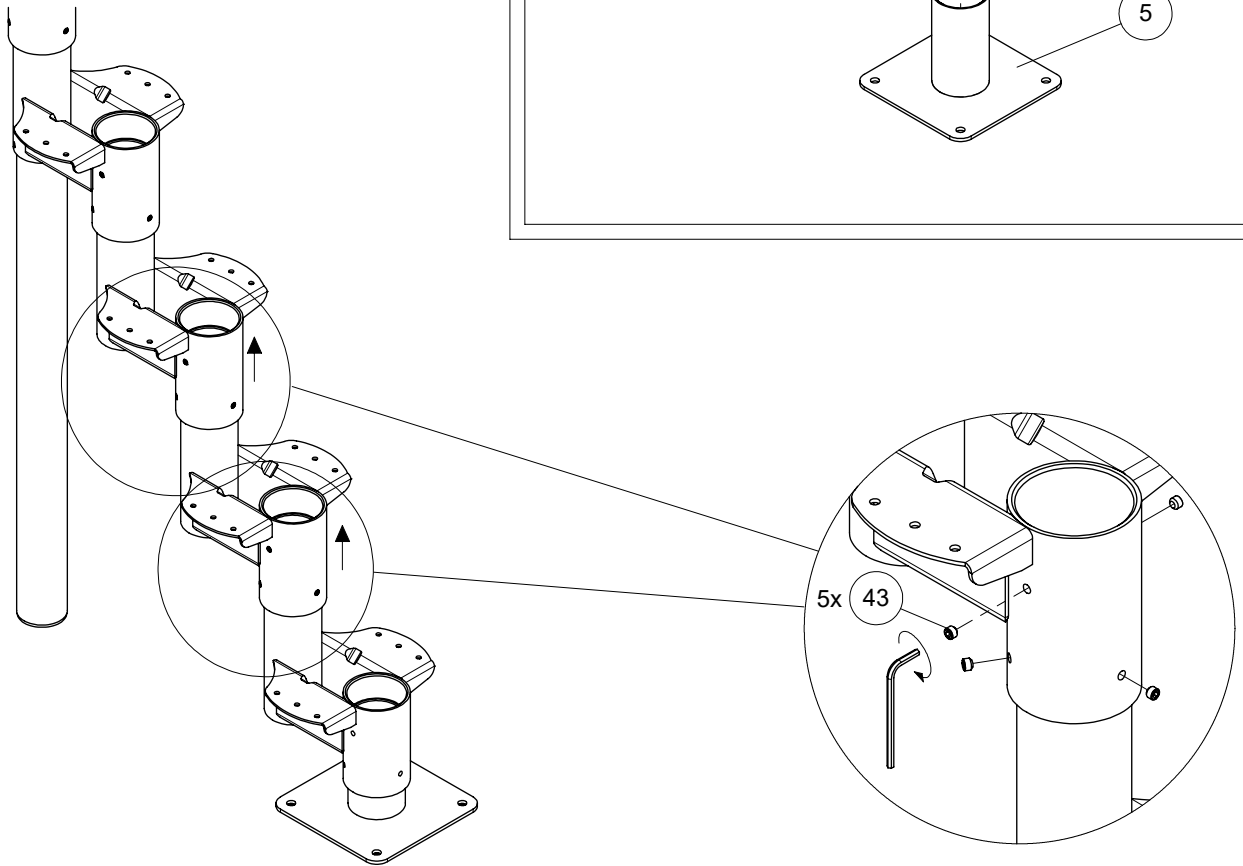


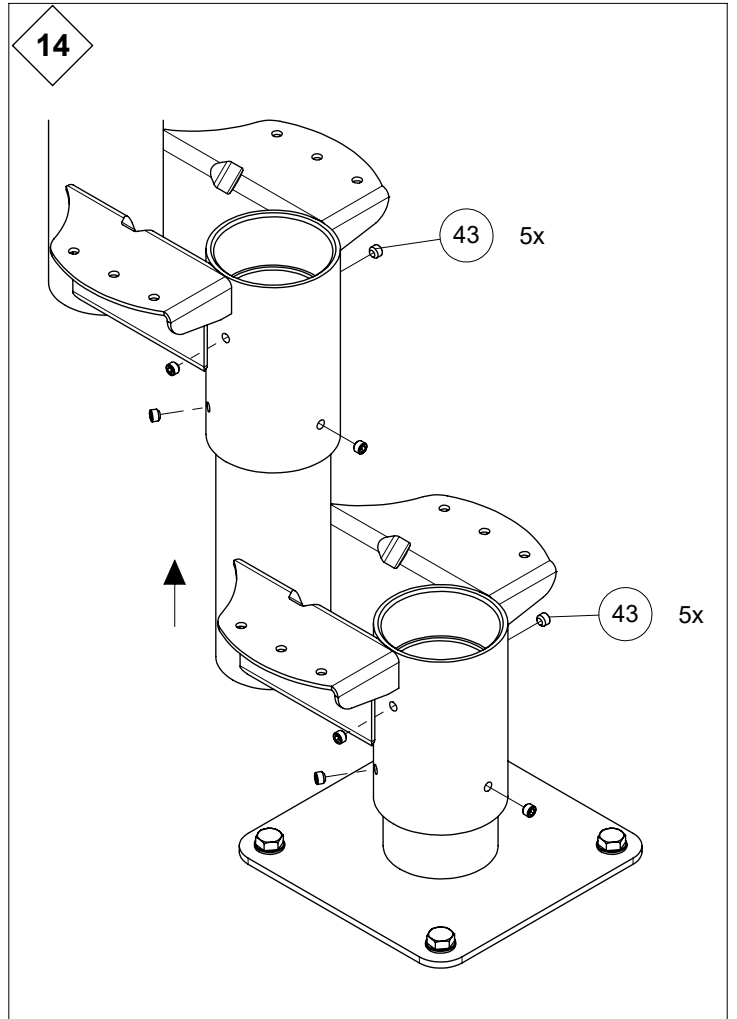
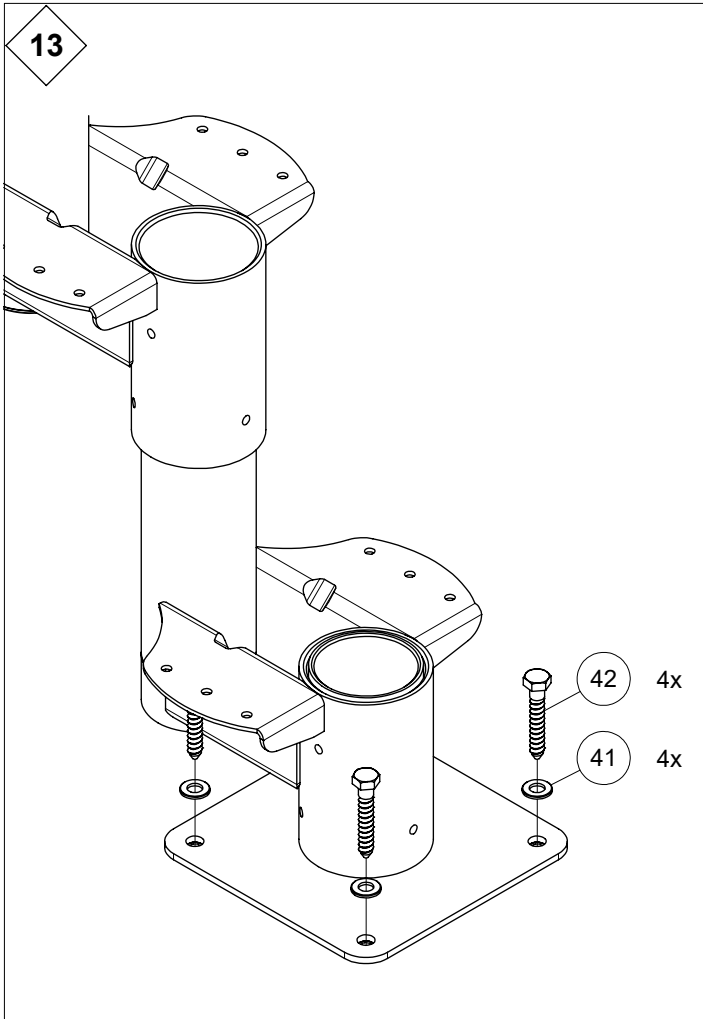
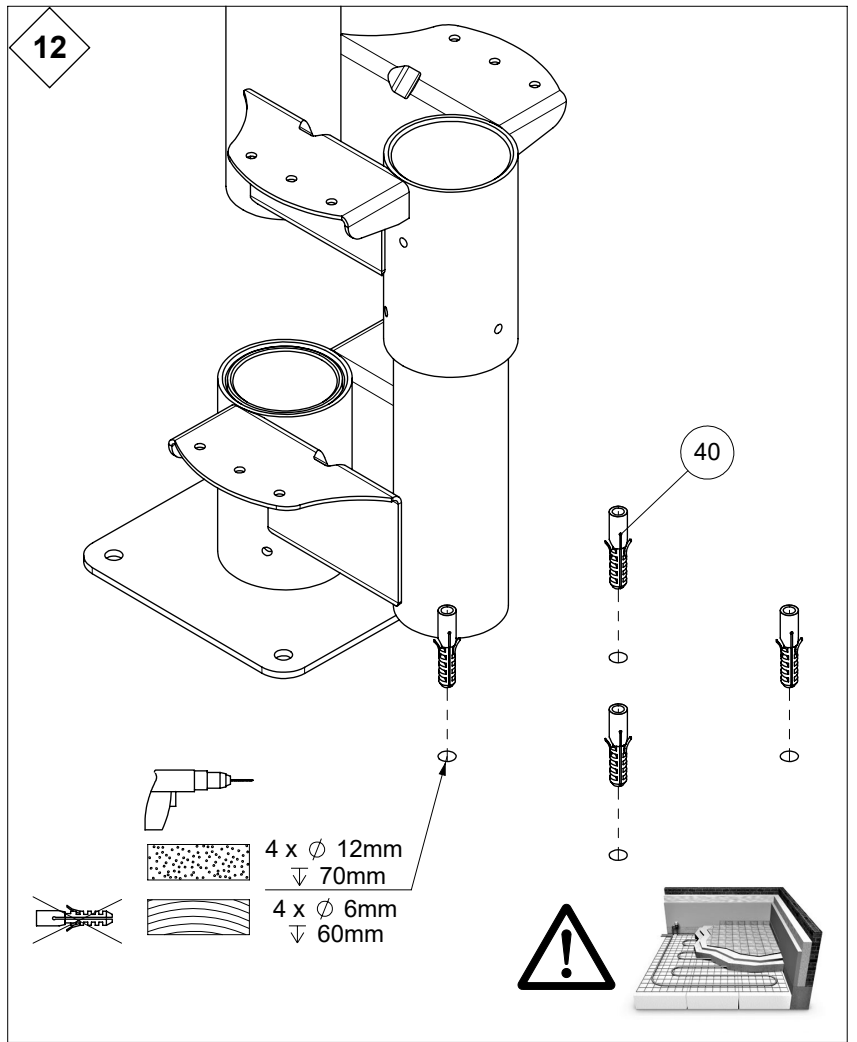
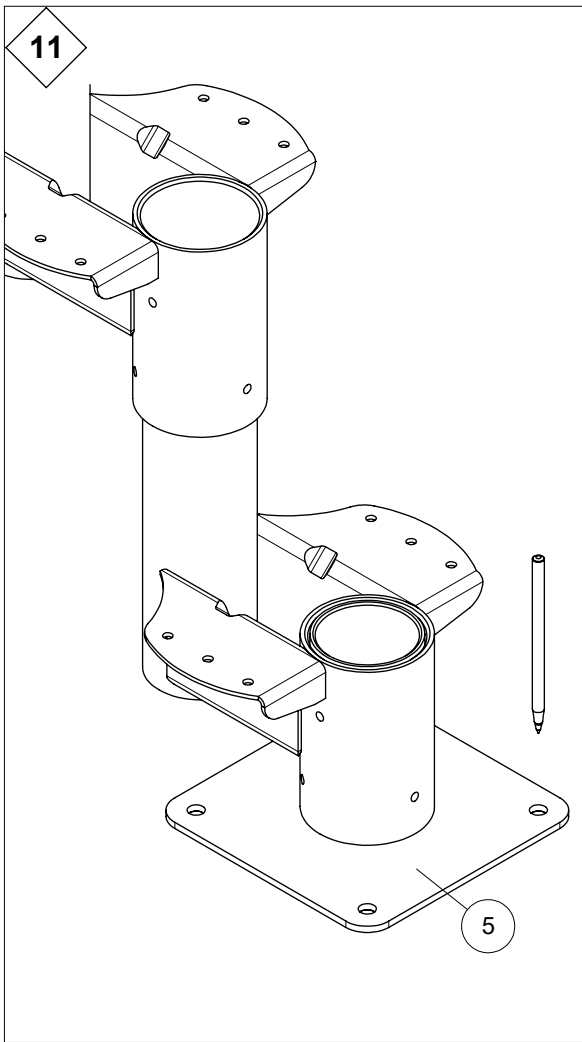


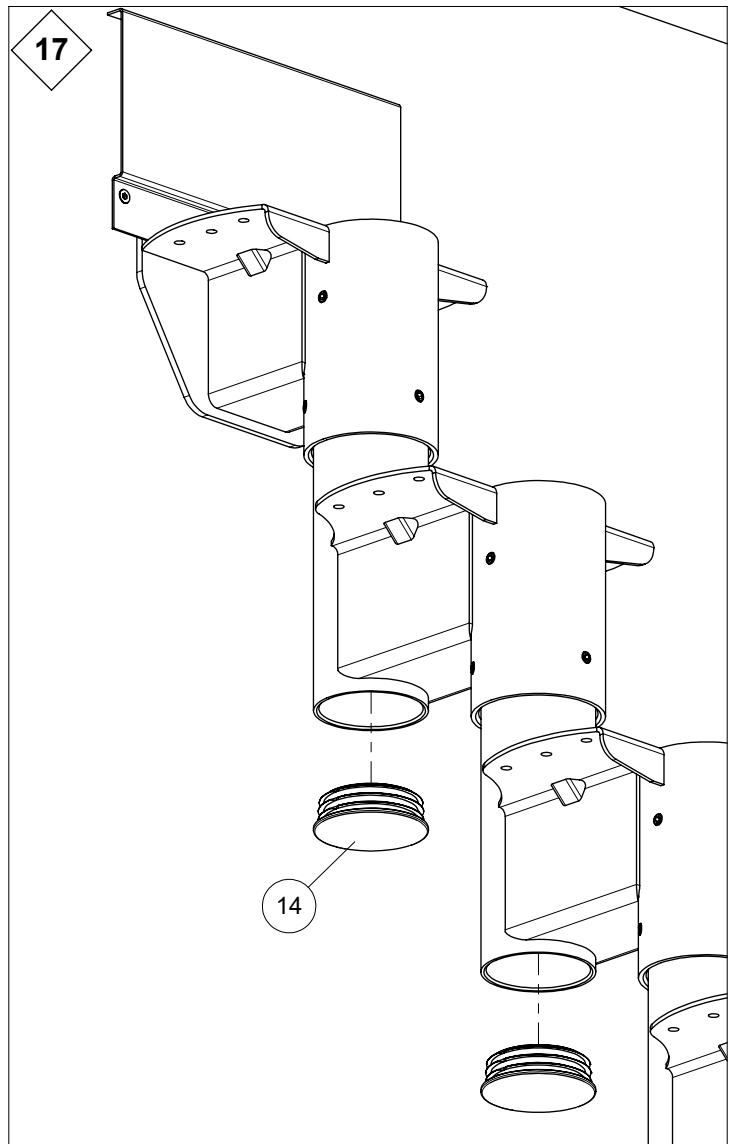
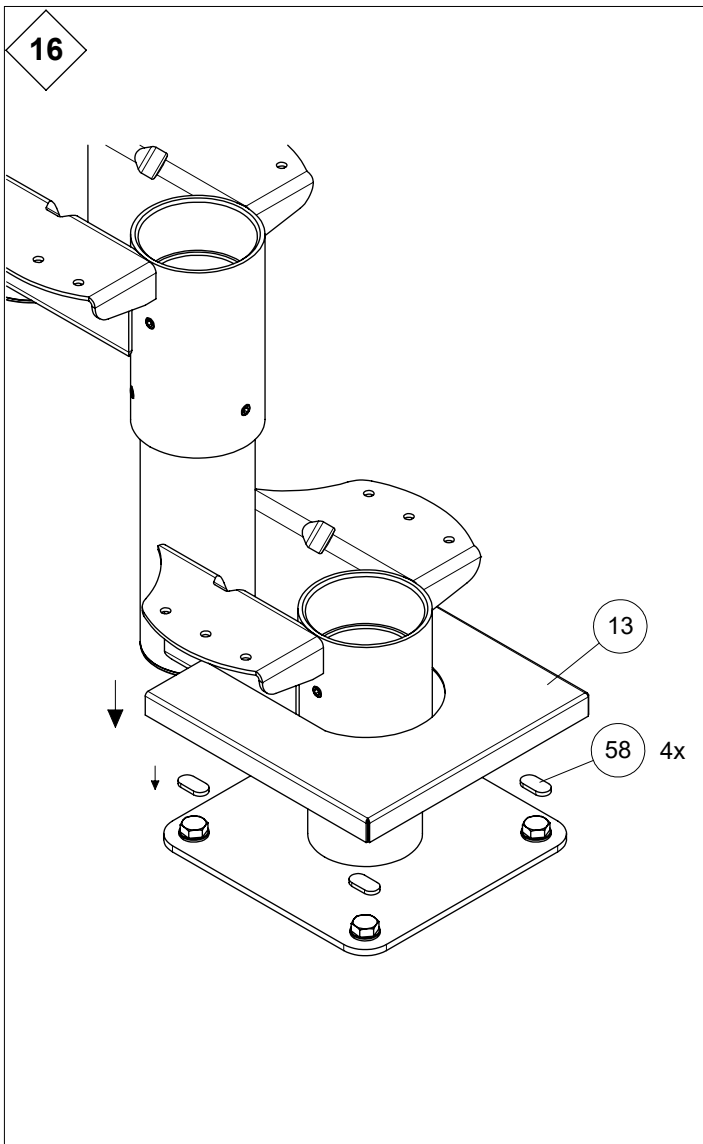
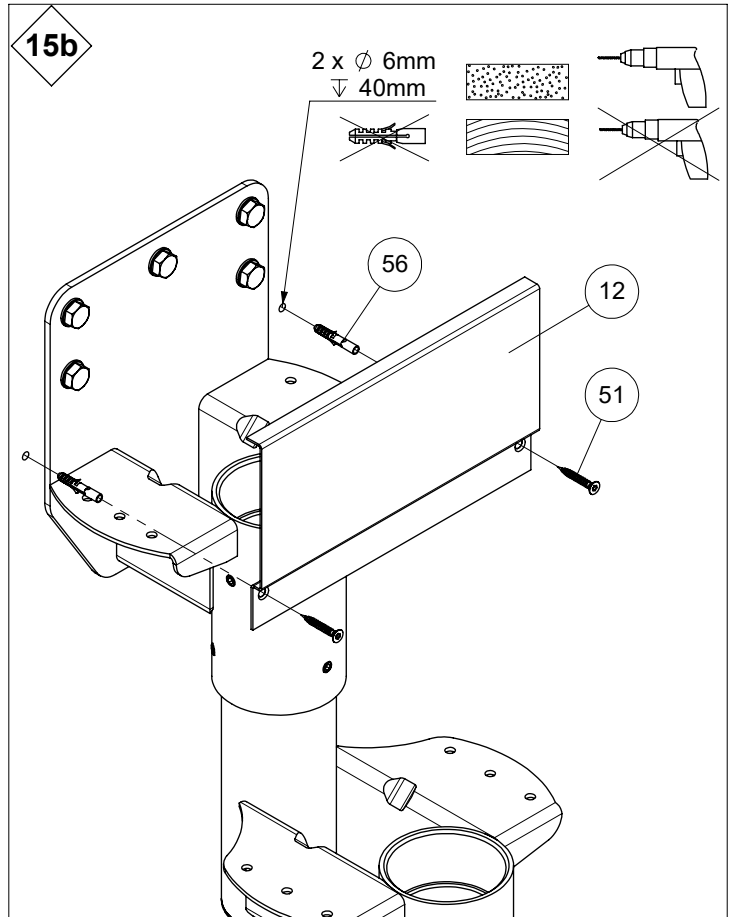
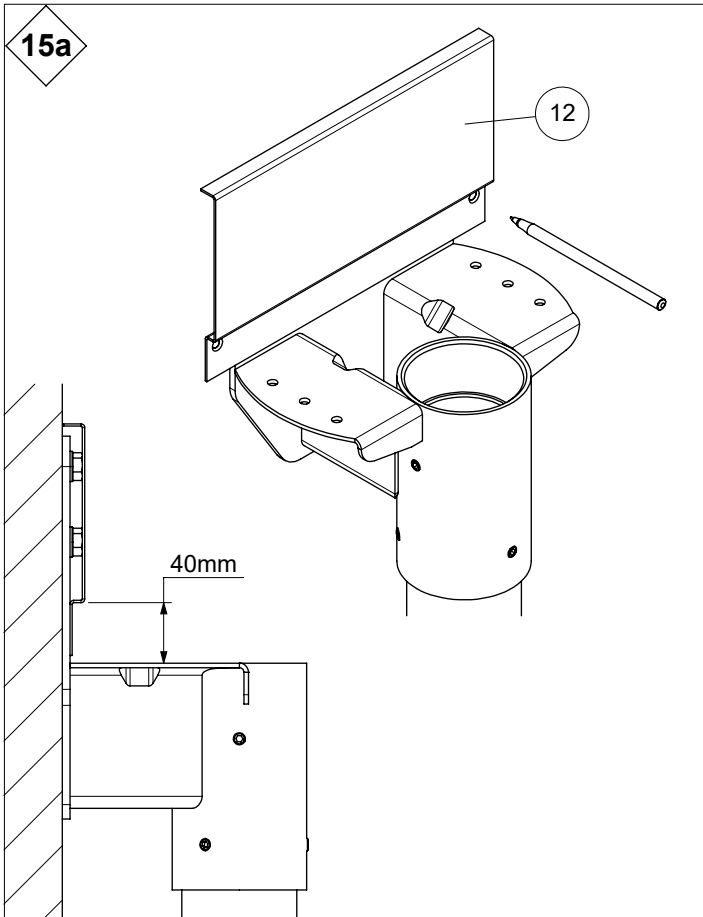
9



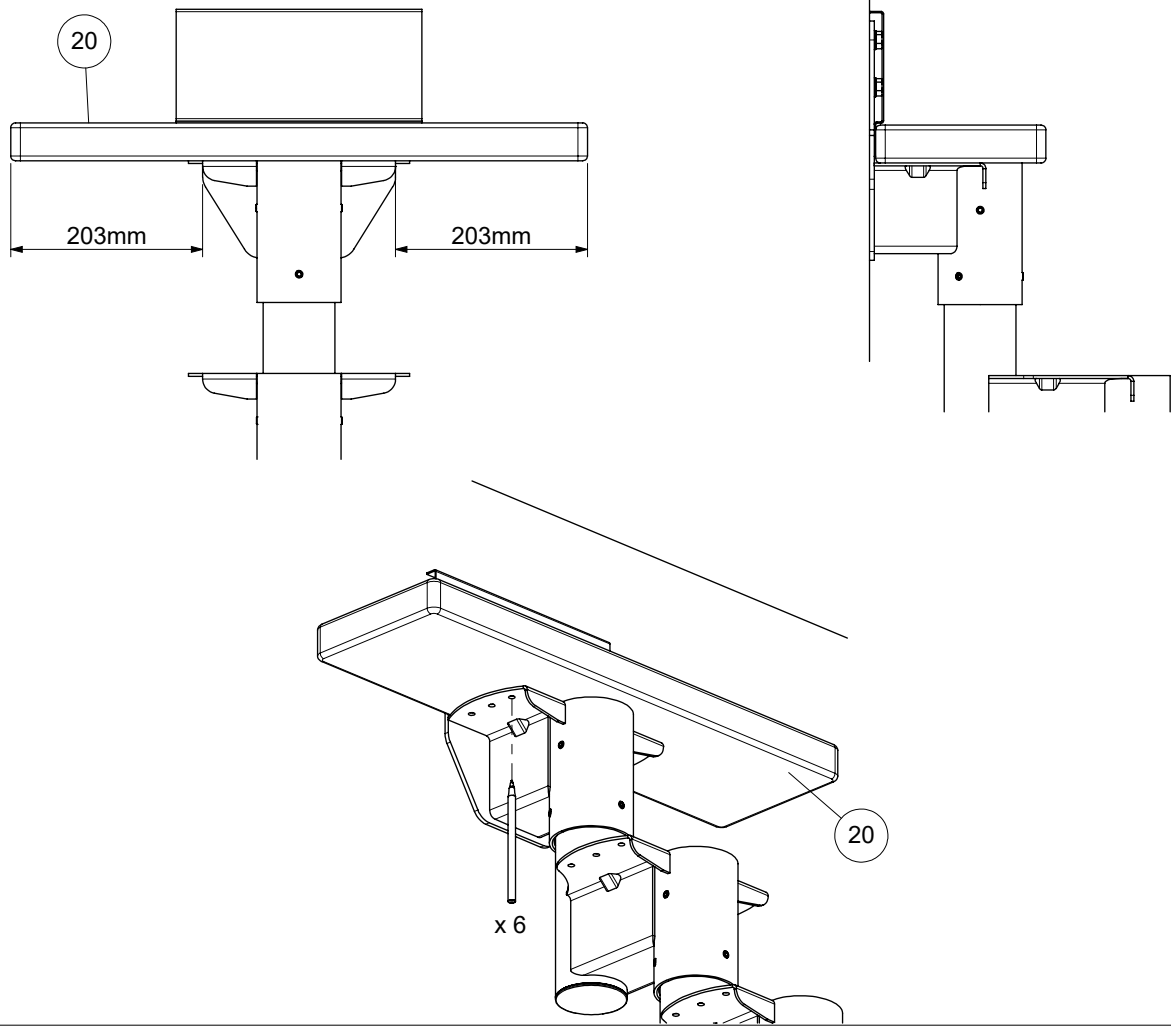
10



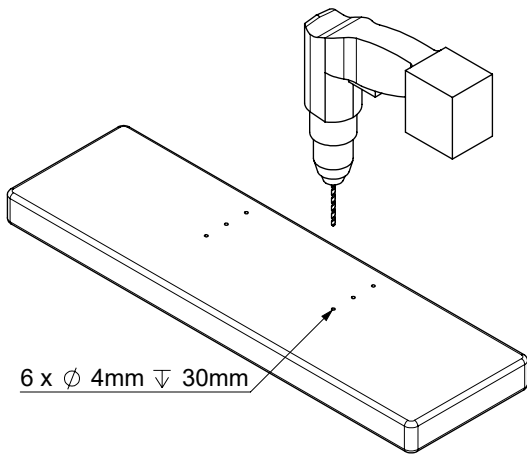




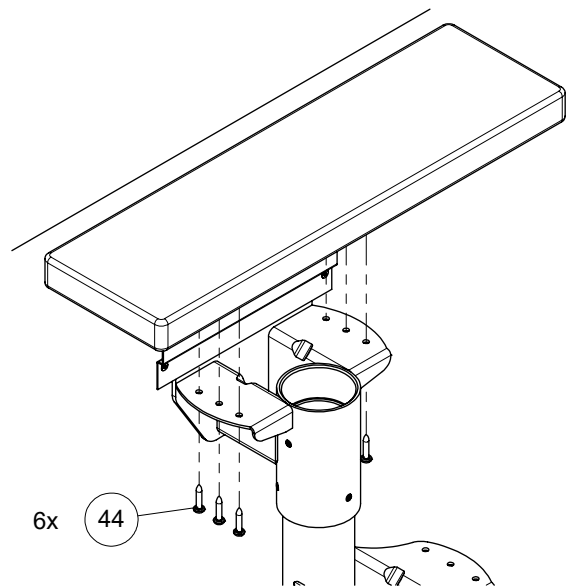
18



19

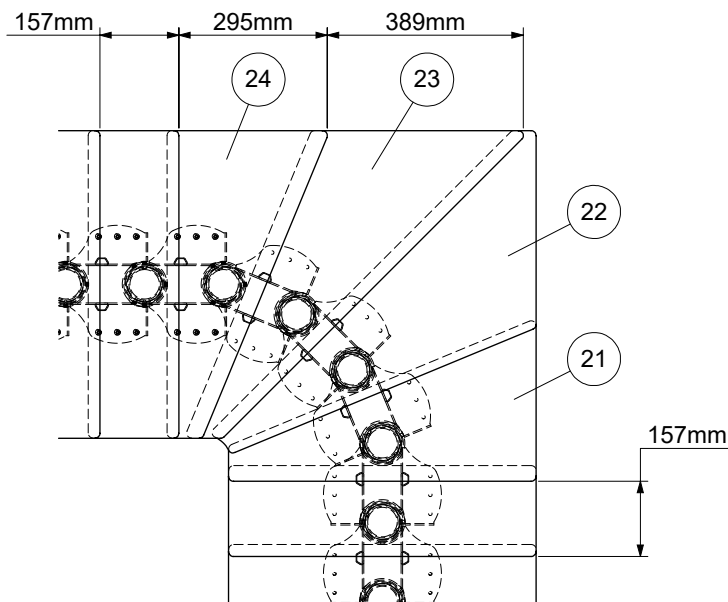
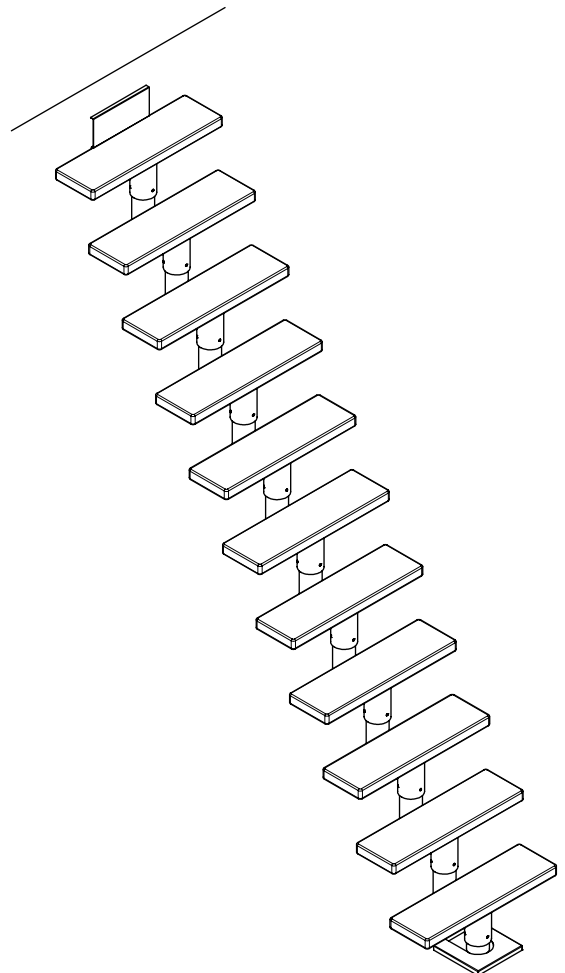
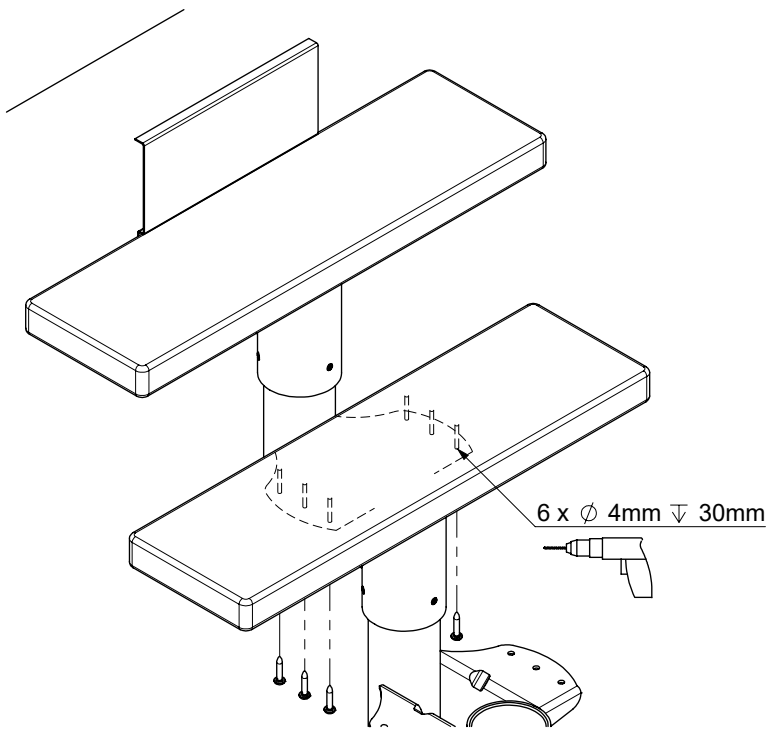
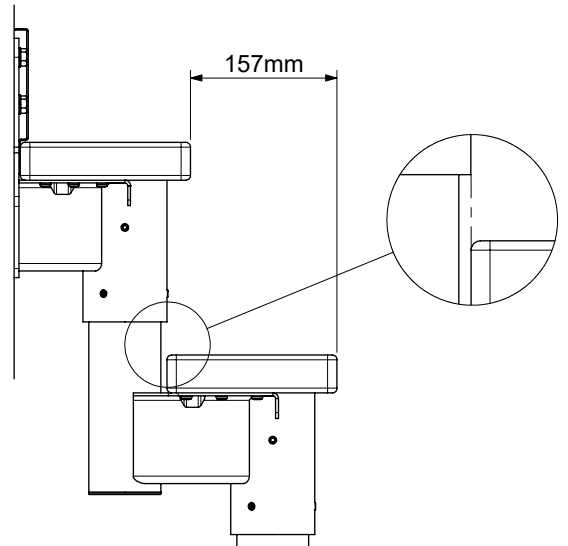
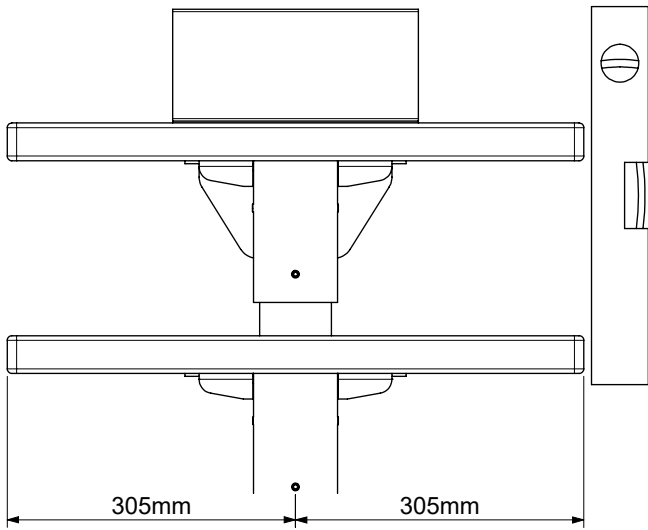


20



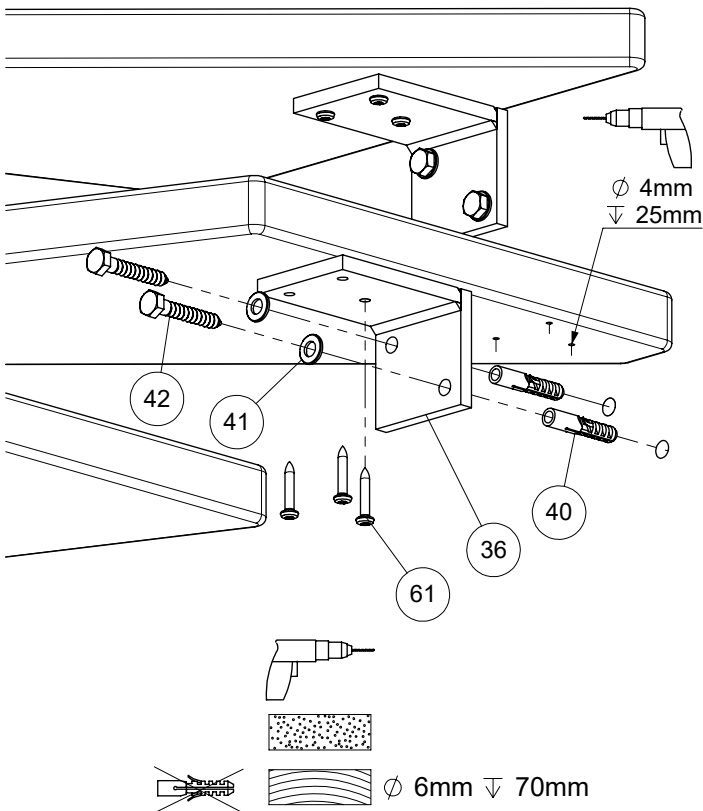
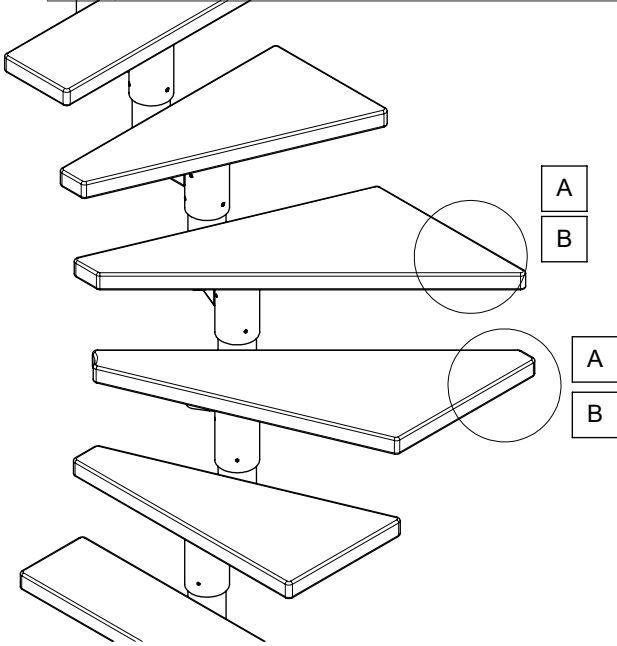


21



22

|          |   |
|----------|---|
| <b>I</b> | Mounting of wallbrackets is optional<br>Die Montage von Wandhalterungen ist optional<br>Montage van muurbeugels is optioneel<br>Le montage de supports muraux est facultatif<br>Montering af vægbeslag er valgfri |
| <b>L</b> | 2 wall brackets in position A or B<br>2 Wandhalterungen in der Position A oder B<br>2 muurbeugels in positie A of B<br>2 supports mural dans la position A ou B<br>2 vægbeslag i position A eller B               |
| <b>U</b> | 4 wall brackets in position A or B<br>4 Wandhalterungen in der Position A oder B<br>4 muurbeugels in positie A of B<br>4 supports mural dans la position A ou B<br>4 vægbeslag i position A eller B               |



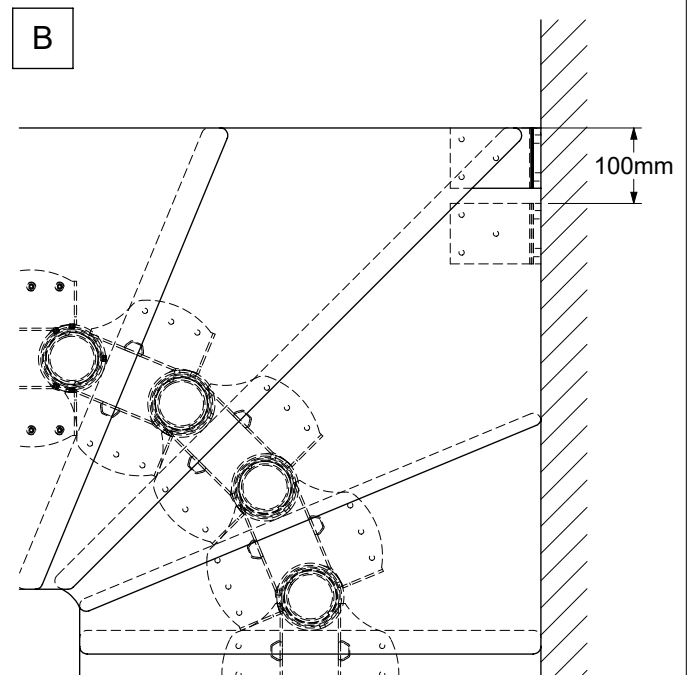
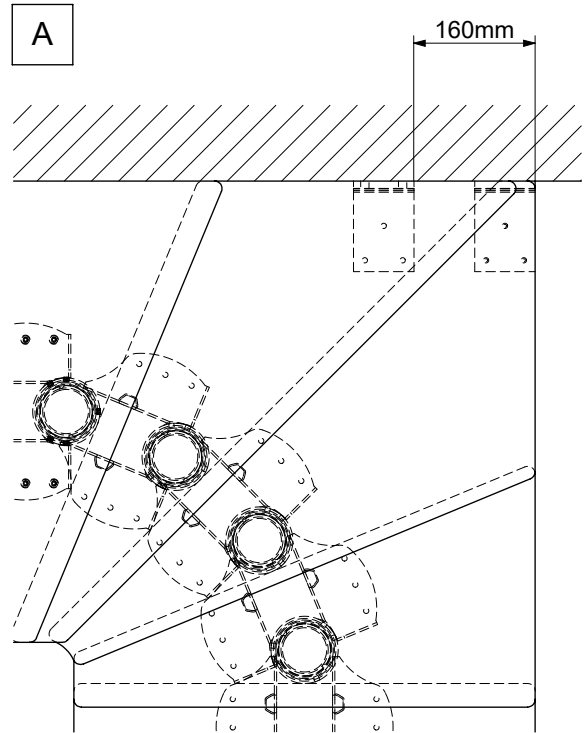
2 wall brackets must be mounted on a 1/4 turn or 4 on a 1/2 turn staircase.

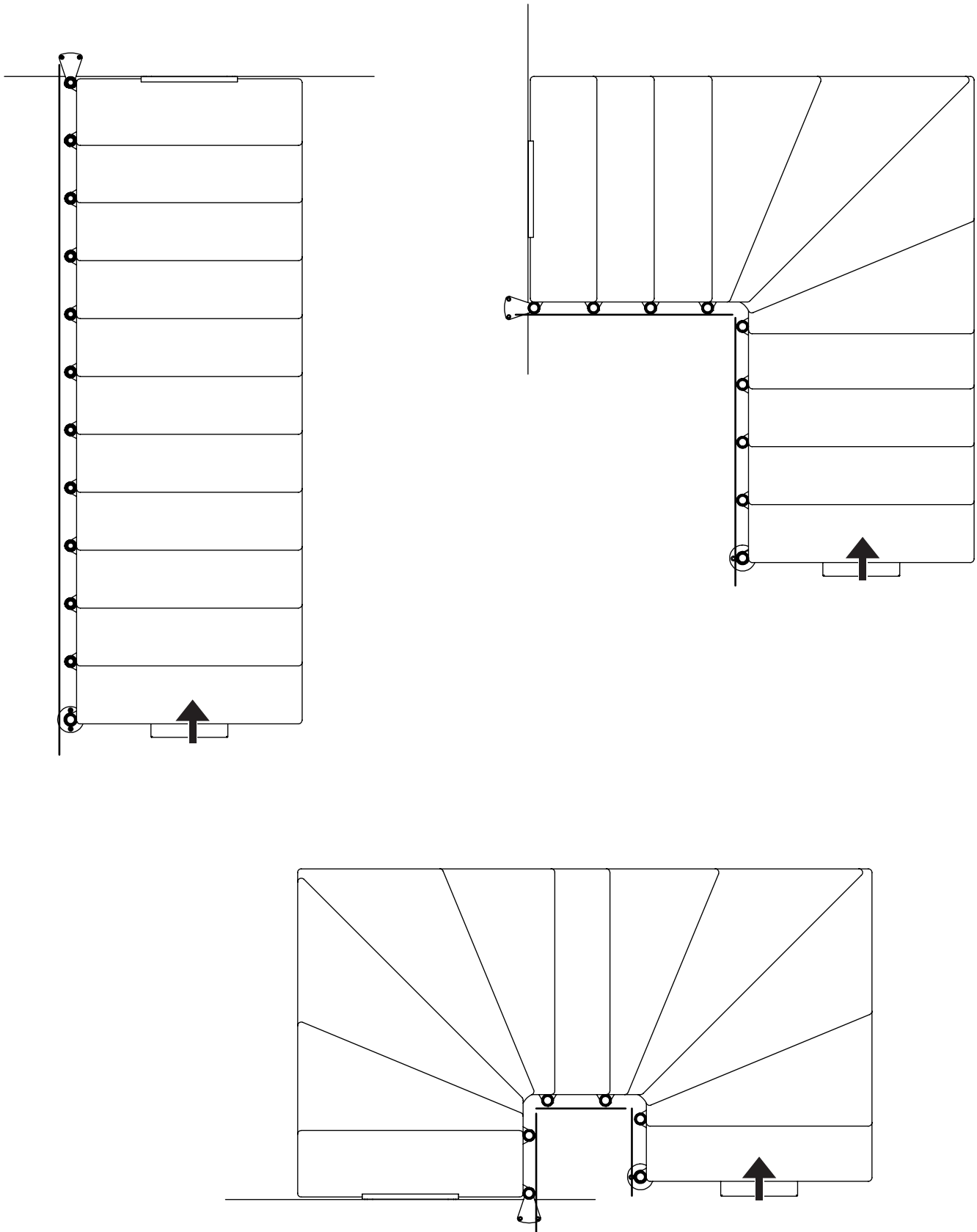
2 Wandhalterungen müssen auf einer 1/4-gewendelten oder 4 auf einer 1/2-gewendelten Treppe montiert werden.

2 muurbeugels moeten gemonteerd worden op een 1/4 draai of 4 op een 1/2 draai trap.

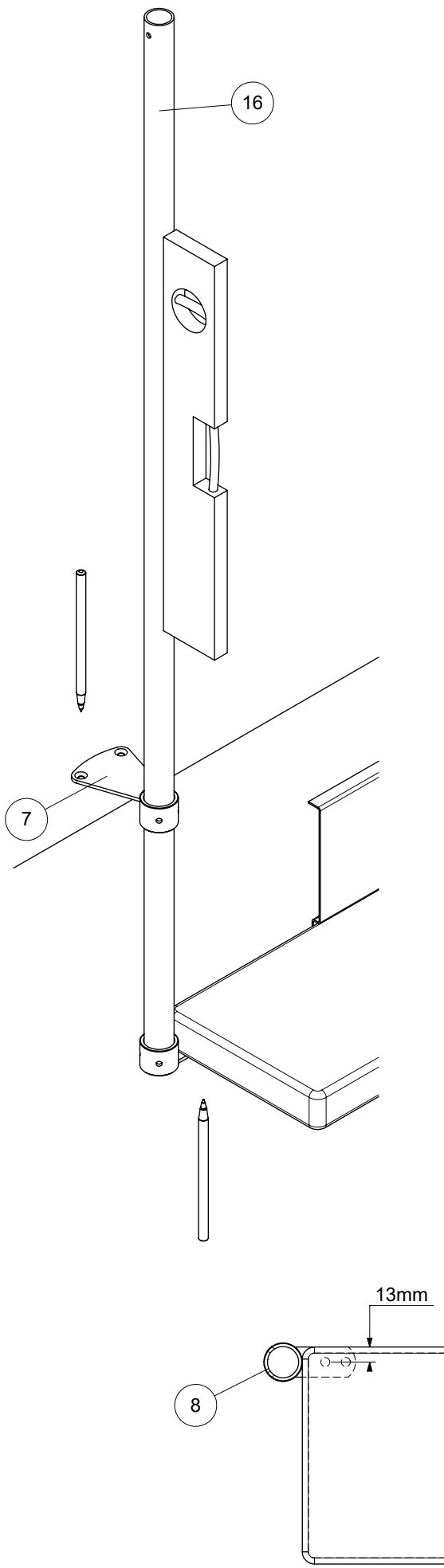
2 supports mural doivent être monté sur un escalier 1/4 ou 4 sur un escalier 1/2 tournant.

2 vægvinkler er påkrævet i en 1/4-svings- eller 4 i en 1/2-svings-trappe.





23



24

