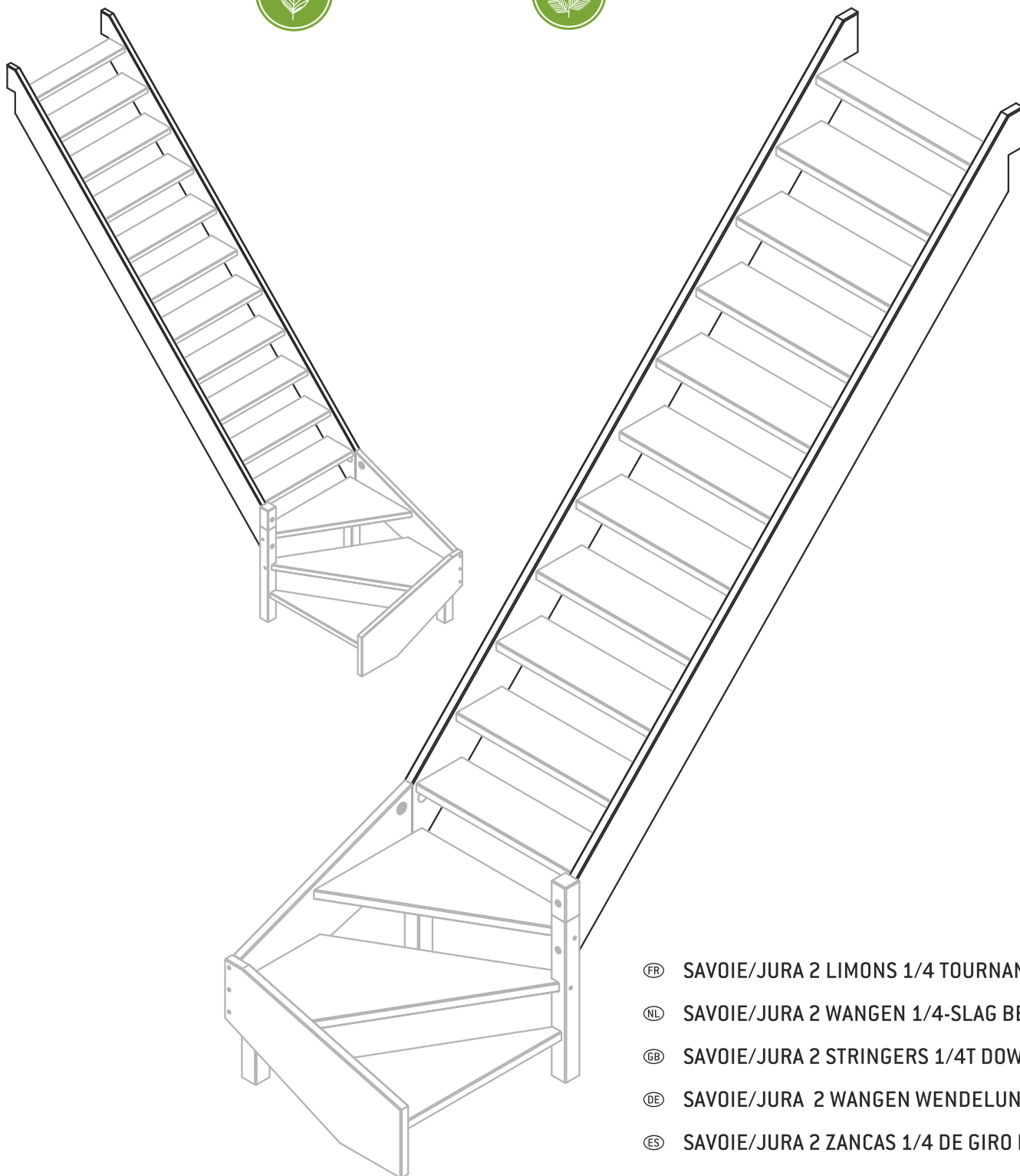
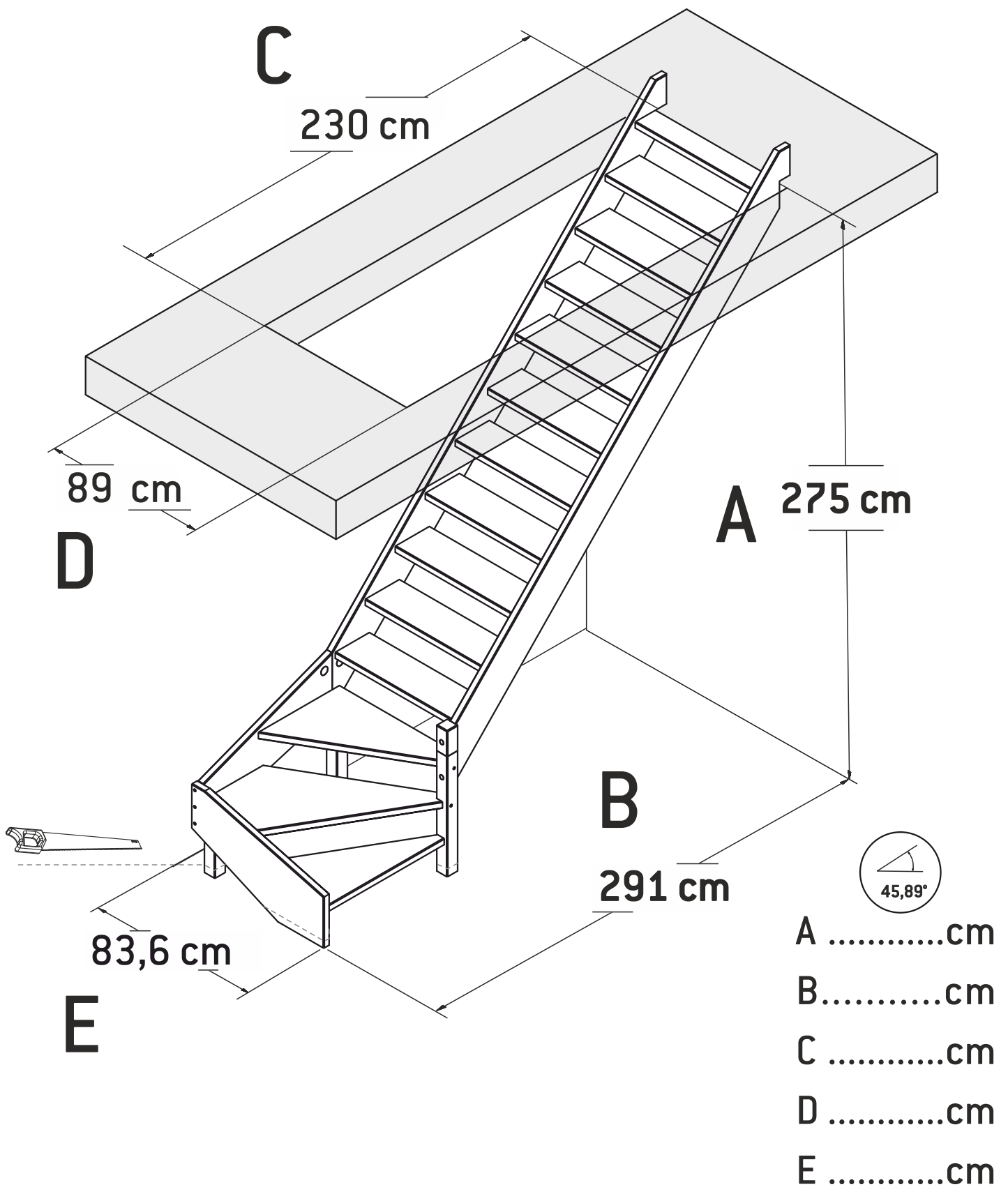


# SAVOIE-JURA 1/4T

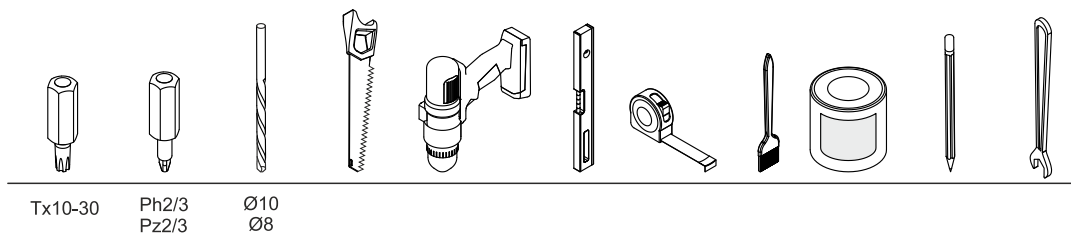
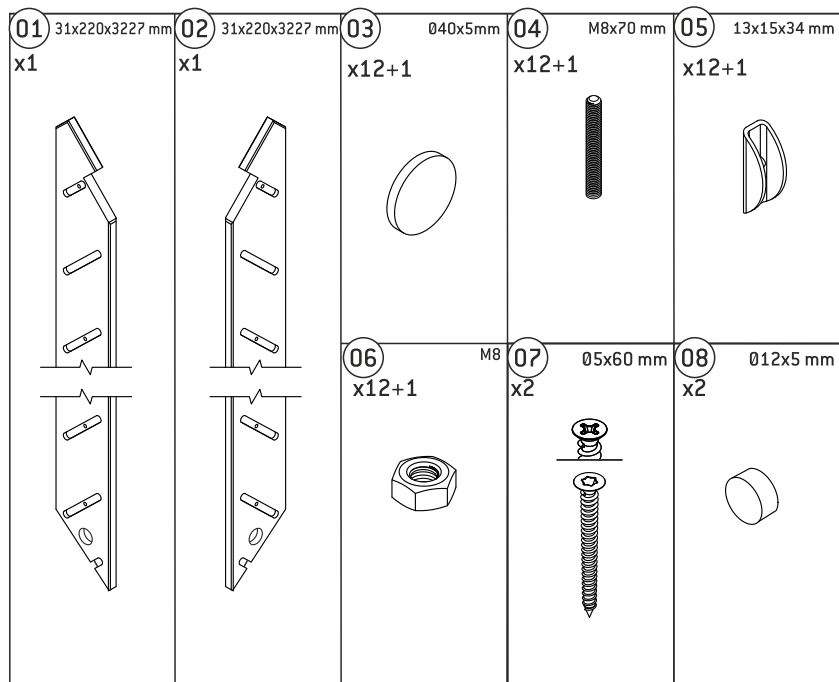


PL SAVOIE/JURA SCHODY Z ZABIEGIEM 1/4 DOLNYM

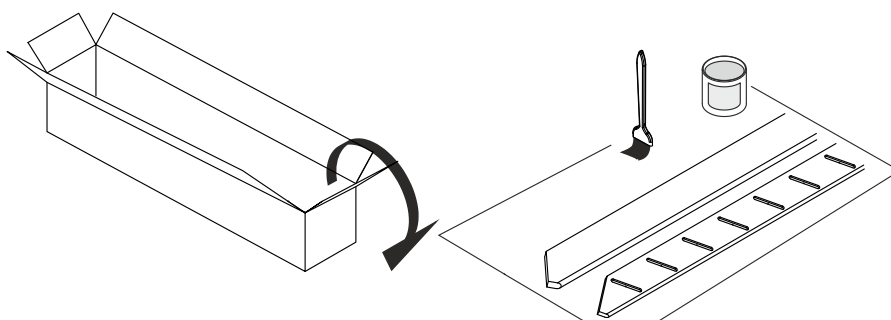
- FR SAVOIE/JURA 2 LIMONS 1/4 TOURNANT BAS
- NL SAVOIE/JURA 2 WANGEN 1/4-SLAG BENEDEN
- GB SAVOIE/JURA 2 STRINGERS 1/4T DOWN
- DE SAVOIE/JURA 2 WANGEN WENDELUNG UNTEN
- ES SAVOIE/JURA 2 ZANCAS 1/4 DE GIRO BAJO
- RO SAVOIE/JURA 2 VANGURI SCARA 1/4 JOS
- LT SAVOIE/JURA LAIPTŲ SU POSŪKIU TIESIOSIOS DALIES ŠONINIAI UŽDENGIMAI



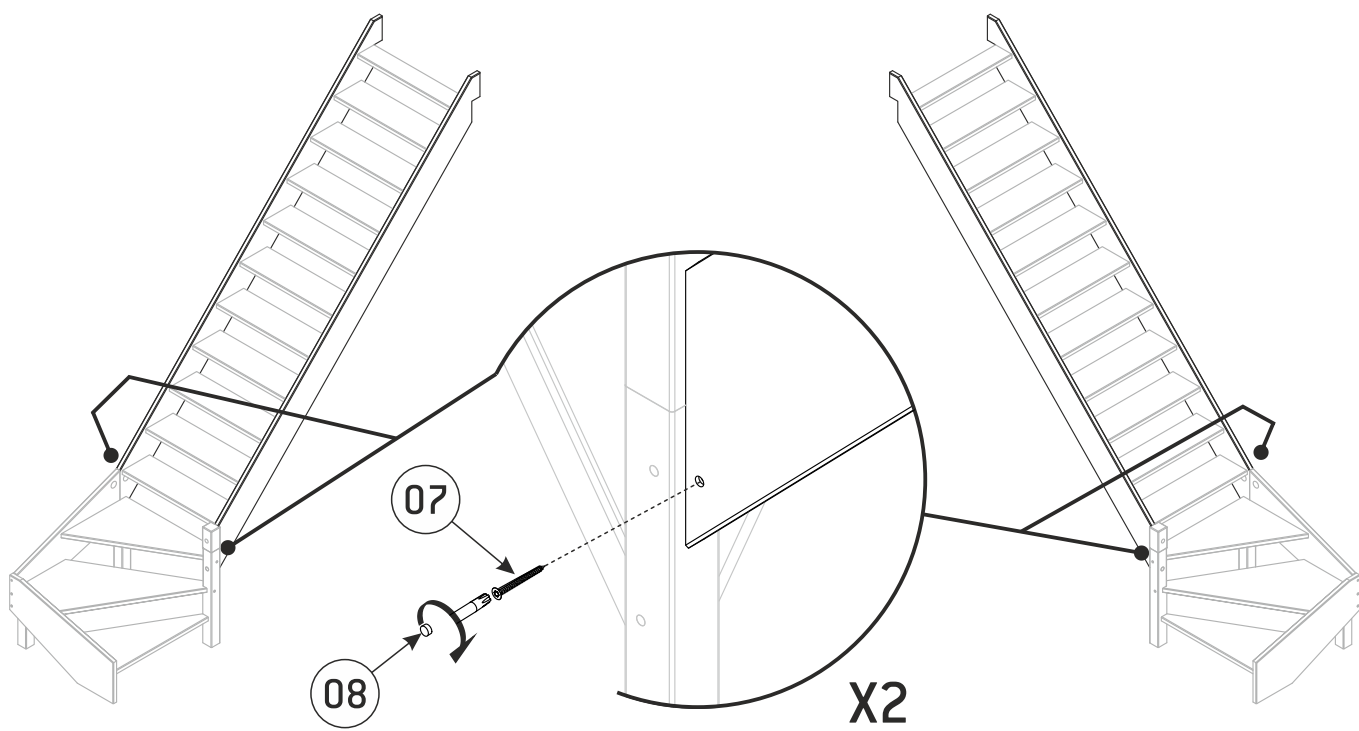
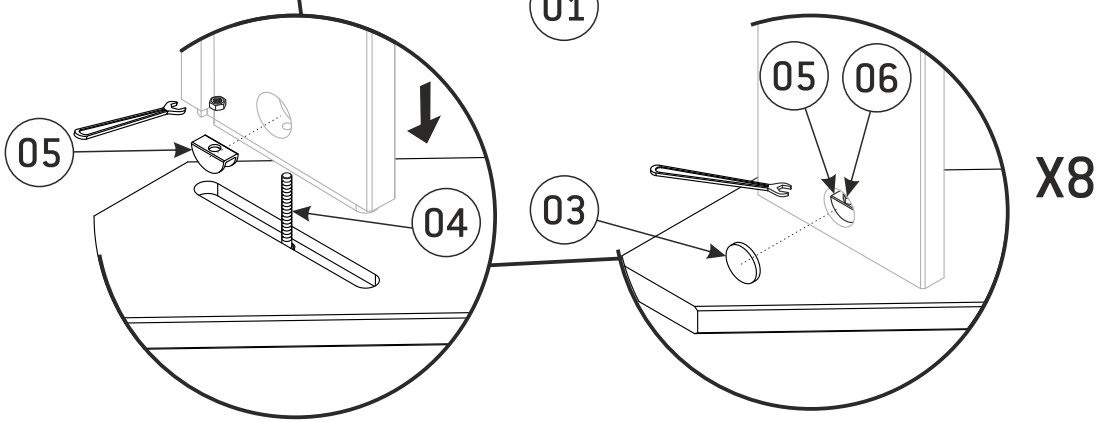
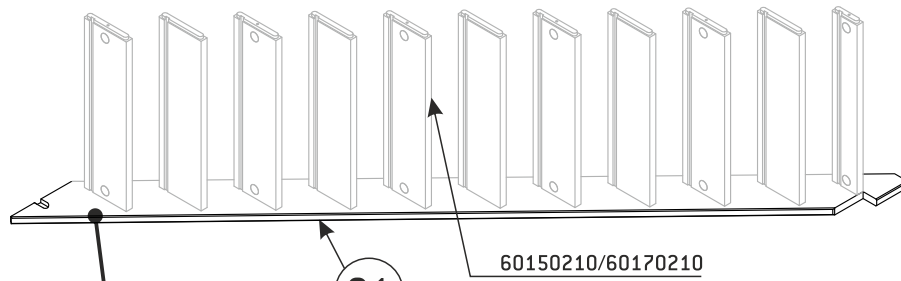
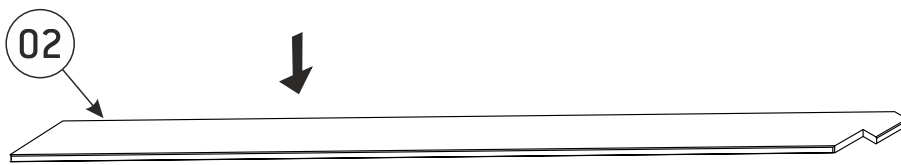
- A .....cm
- B.....cm
- C .....cm
- D .....cm
- E .....cm



## 1



2



Producent: SOGEM Group, Rue Grimard, 39 B-6061 Montignies-Sur-Sambre (Charleroi) - Belgia  
 Dystrybutor: DOLLE Sp. z o.o., ul. Międzyrzeczka 149, 43-382 Bielsko-Biała, Polska  
 Tel. 33 827-24-90, E-mail: biuro@dolle.com

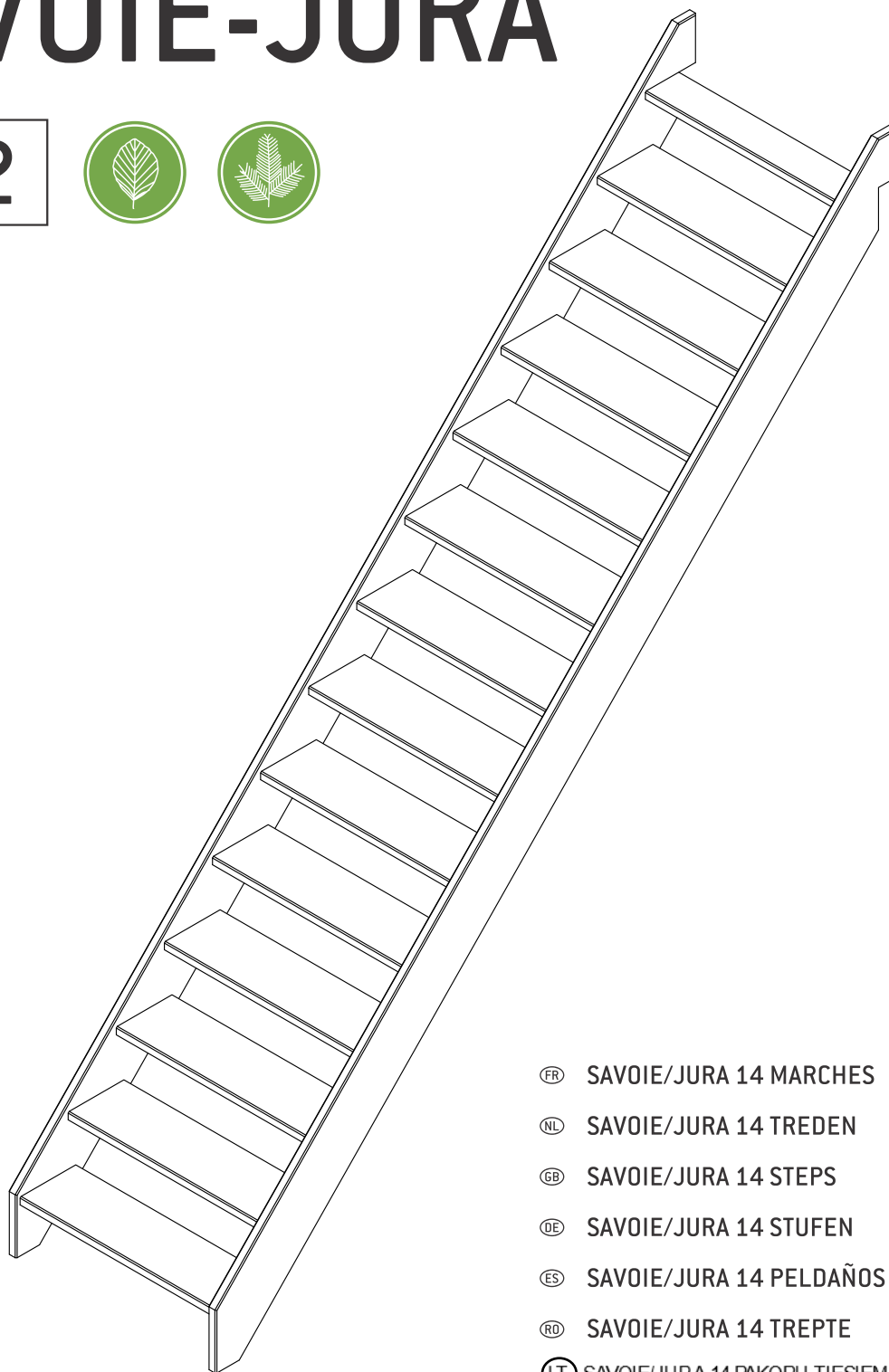
SO GEM

DOLLE®

# SAVOIE-JURA

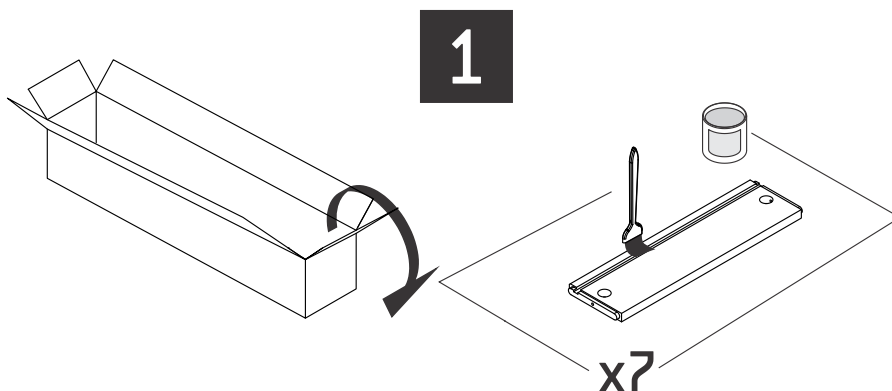
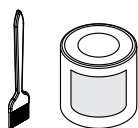
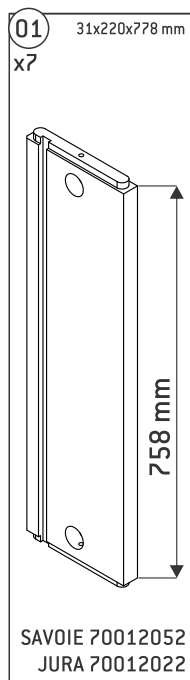
1

2



- Ⓡ SAVOIE/JURA 14 MARCHES
- Ⓡ SAVOIE/JURA 14 TREDEN
- Ⓡ SAVOIE/JURA 14 STEPS
- Ⓡ SAVOIE/JURA 14 STUFEN
- Ⓡ SAVOIE/JURA 14 PELDAÑOS
- Ⓡ SAVOIE/JURA 14 TREPTE
- Ⓡ SAVOIE/JURA 14 PAKOPŲ TIEŠIEMS LAIPTAMS
- Ⓡ SAVOIE/JURA 14 STOPNI

**1** **2**

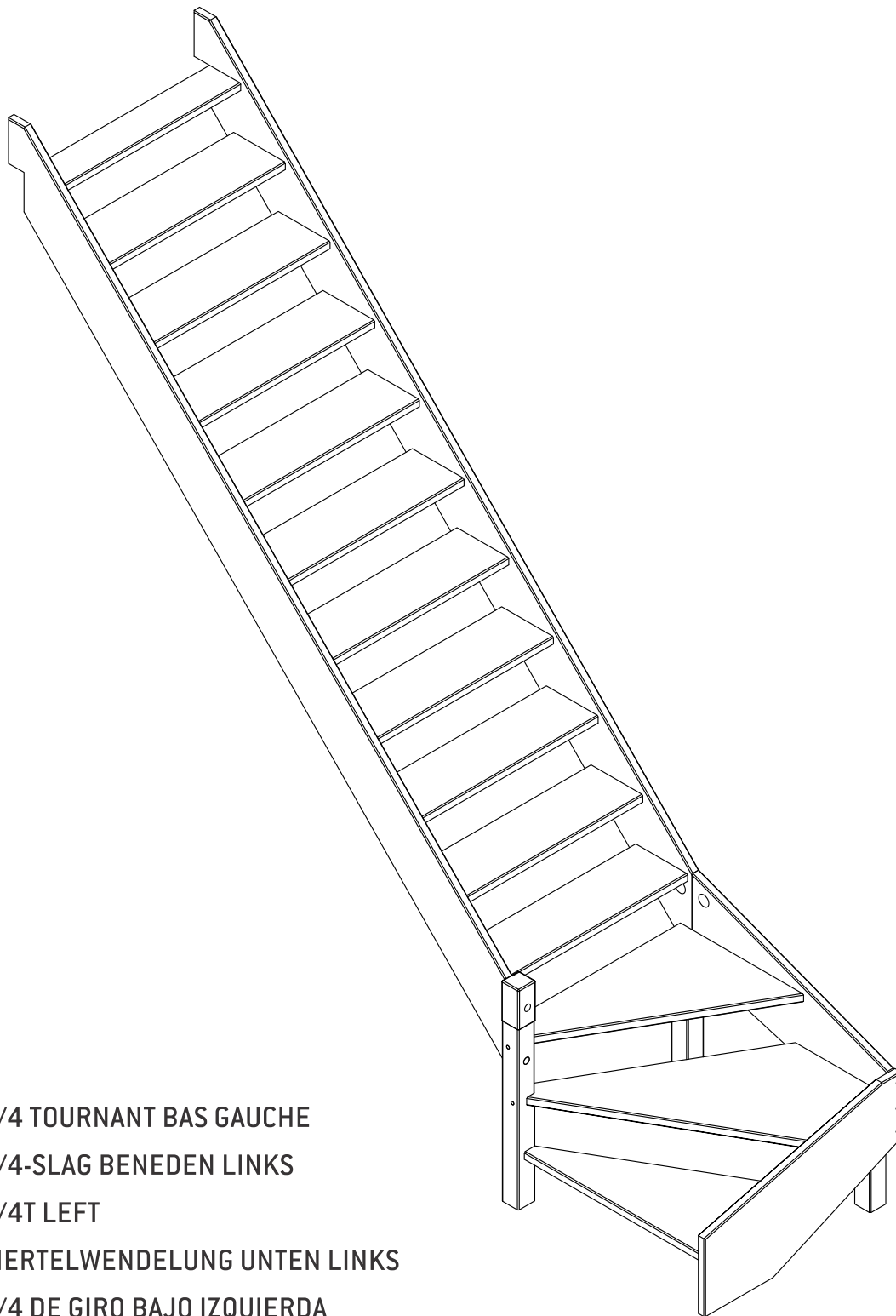


Producent: SOGEM Group, Rue Grimard, 39 B-6061 Montignies-Sur-Sambre (Charleroi) - Belgia  
 Dystrybucja: DOLLE Sp. z o.o., ul. Międzyrzecka 149, 43-382 Bielsko-Biała, Polska  
 Tel. 33 827-24-90, E-mail: biuro@dolle.com

SOGEM

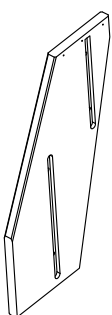
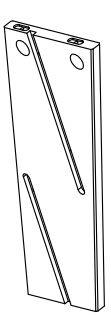
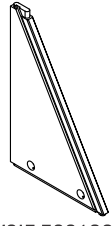
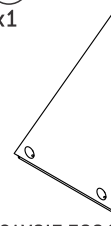
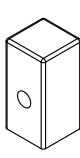
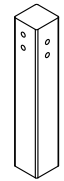
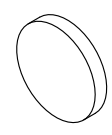
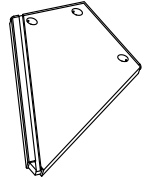
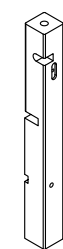






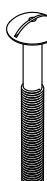
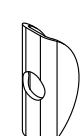








DOLLE

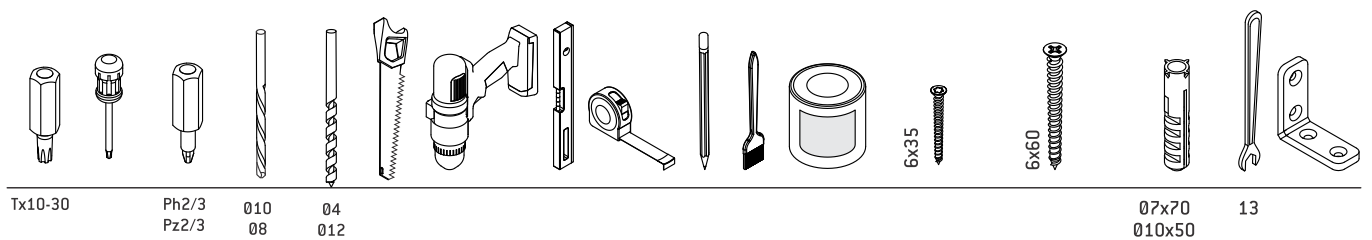
# SAVOIE-JURA



- Ⓡ FR SAVOIE/JURA 1/4 TOURNANT BAS GAUCHE
- Ⓡ NL SAVOIE/JURA 1/4-SLAG BENEDEN LINKS
- Ⓡ GB SAVOIE/JURA 1/4T LEFT
- Ⓡ DE SAVOIE/JURA VIERTELWENDELUNG UNTEN LINKS
- Ⓡ ES SAVOIE/JURA 1/4 DE GIRO BAJO IZQUIERDA
- Ⓡ RO SAVOIE/JURA 1/4 T STANGA JOS
- Ⓡ LT SAVOIE/JURA APATINIS 1/4 POSŪKISĮ KAIRĖ
- Ⓡ PL SAVOIE/JURA ZABIEG 1/4 LEWY

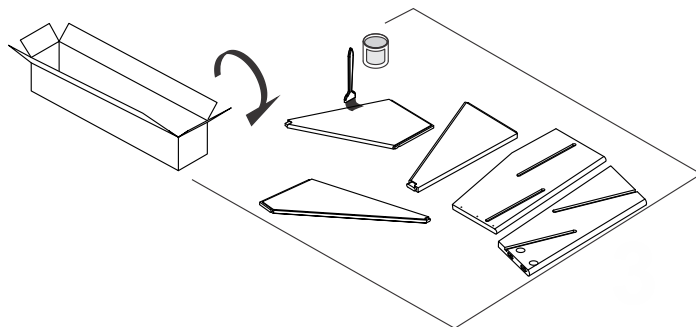
## SAVOIE+JURA QT BAS GAUCHE

<p>01 31x483x836 mm x1</p>  <p>SAVOIE 70012057 JURA 70012027</p>	<p>02 31x563x828 mm x1</p>  <p>SAVOIE 70012058 JURA 70012028</p>	<p>03 31x523x782 mm x1</p>  <p>SAVOIE 70012059 JURA 70012029</p>	<p>05 31x482x782 mm x1</p>  <p>SAVOIE 70012060 JURA 70012030</p>	<p>07 70x70x140 mm x1</p> 	<p>09 70x70x367 mm x1</p> 	<p>11 040 x 6 mm x11+1</p> 
		<p>04 31x752x827 mm x1</p>  <p>SAVOIE 70012061 JURA 70012031</p>	<p>06 70x70x663,5 mm x1</p>  <p>SAVOIE 70012062 JURA 70012032</p>	<p>08 70x70x563 mm x1</p> 	<p>10 020 x 50 mm x1</p> 	<p>12 020 x 6 mm x2</p> 
<p>13 012 x 6 mm x12</p> 	<p>14 08 x 110 mm x1</p> 	<p>15 08 x 70 mm x8</p> 	<p>16 08 x 70 mm x1</p> 	<p>17 1.5x11x18.6mm x11</p> 	<p>18 M8 x11</p> 	
<p>19 05x60 mm x12+2</p>  <p>70031053</p>	<p>20 08 x 110 mm x1</p> 					    

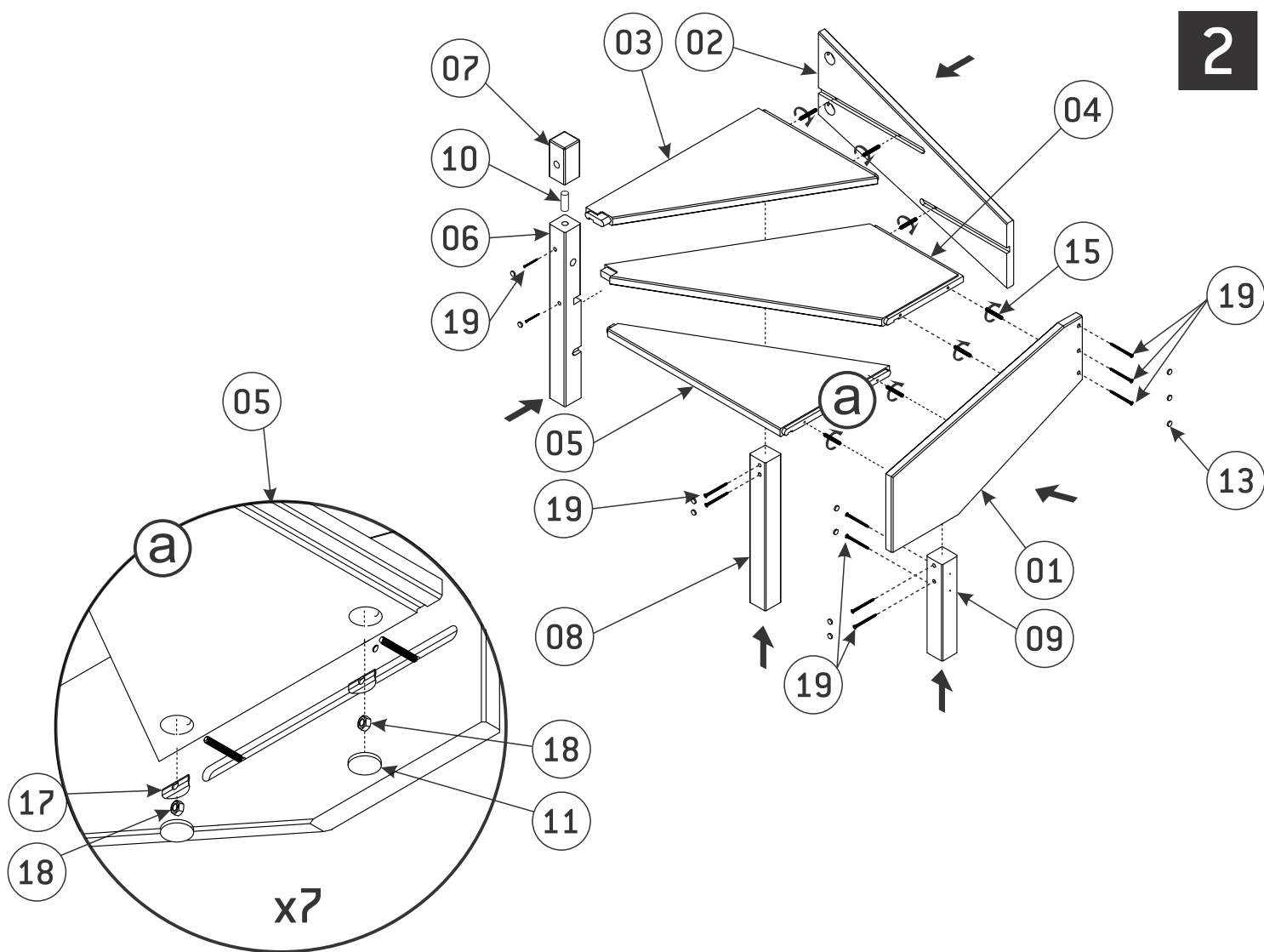


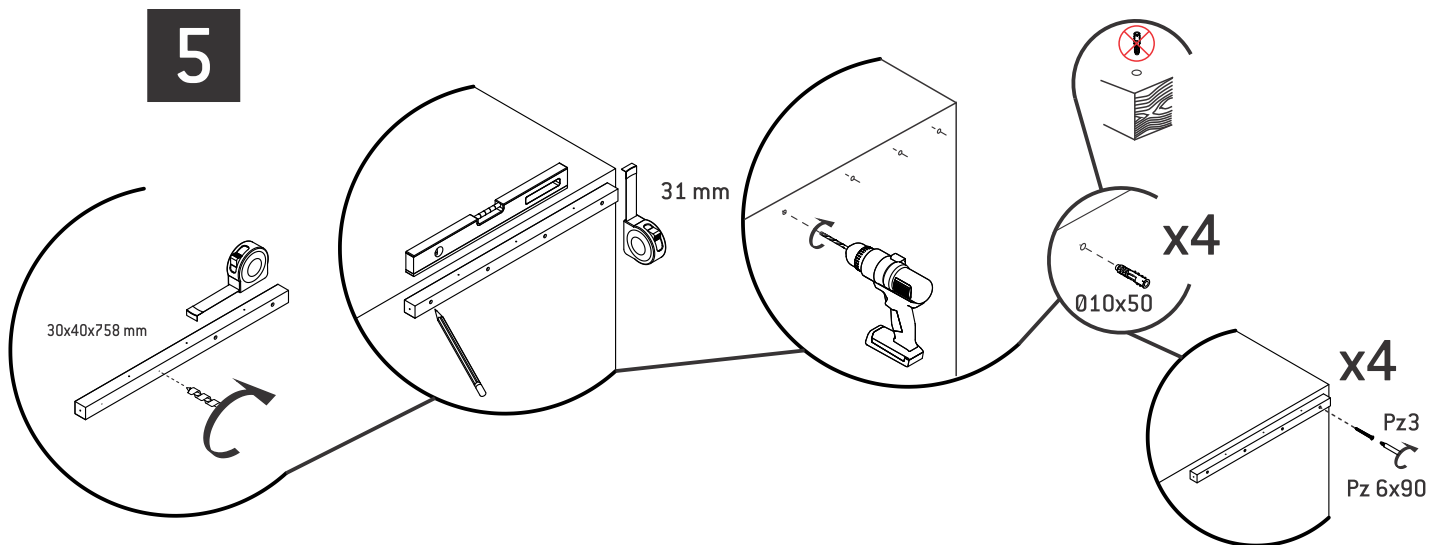
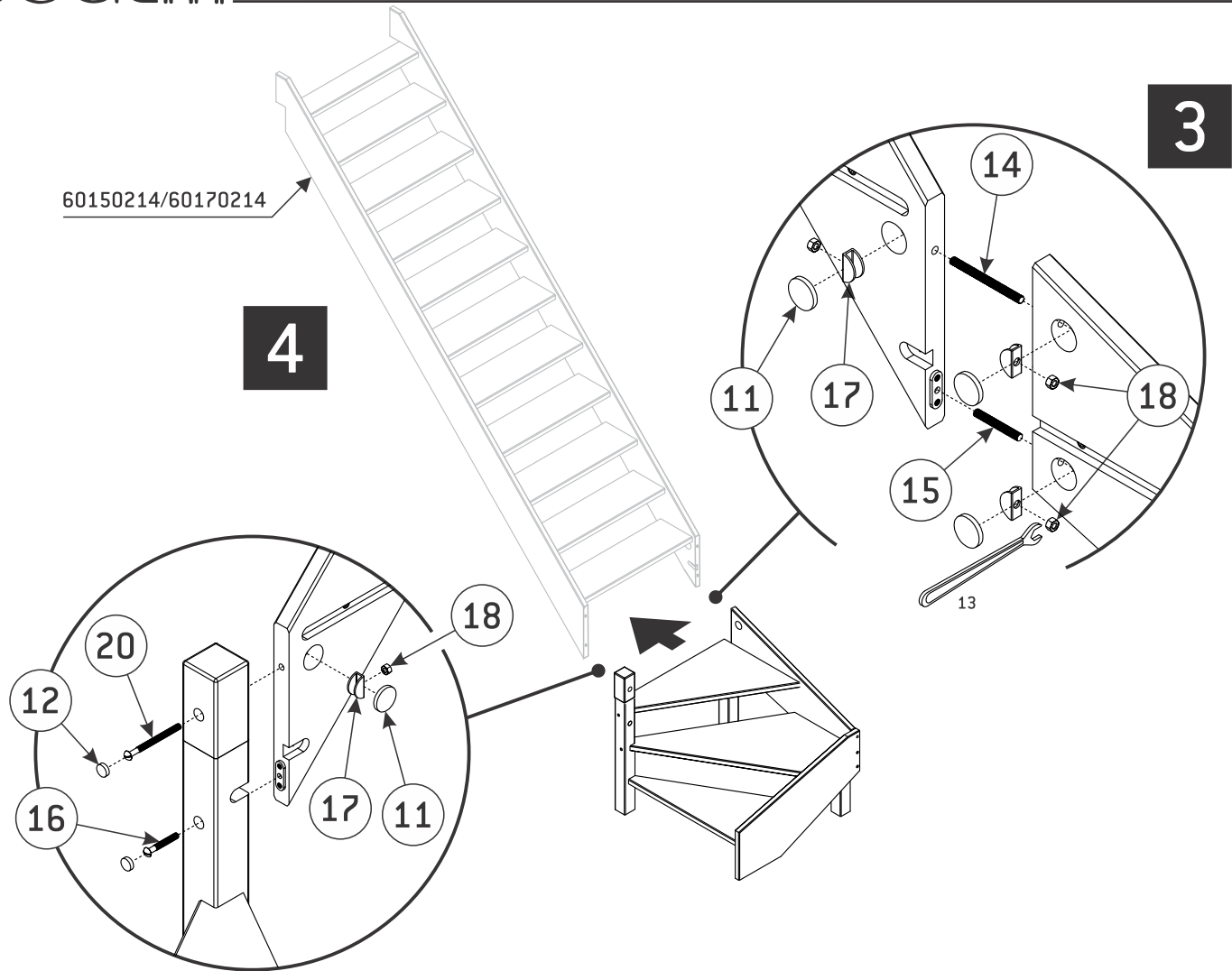


1

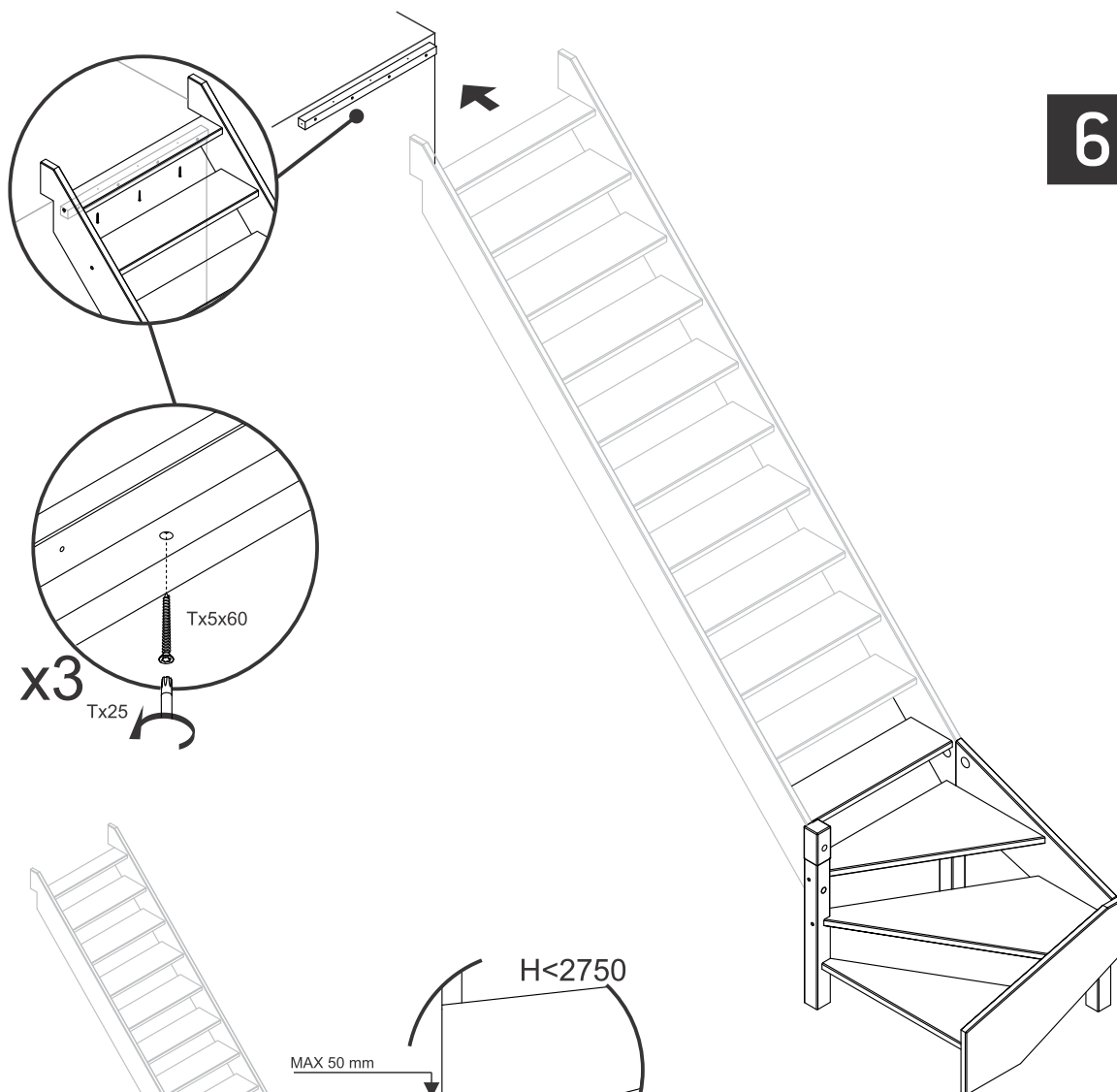


2

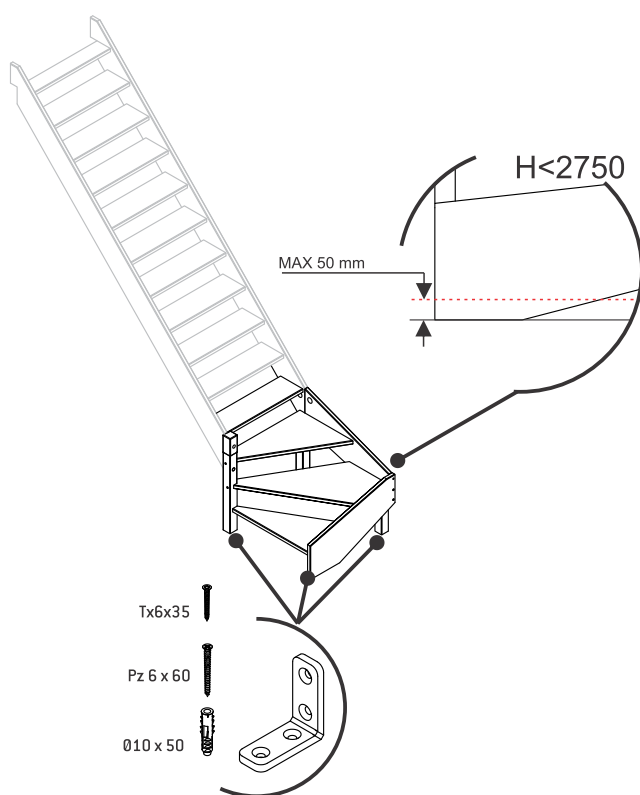




6



7

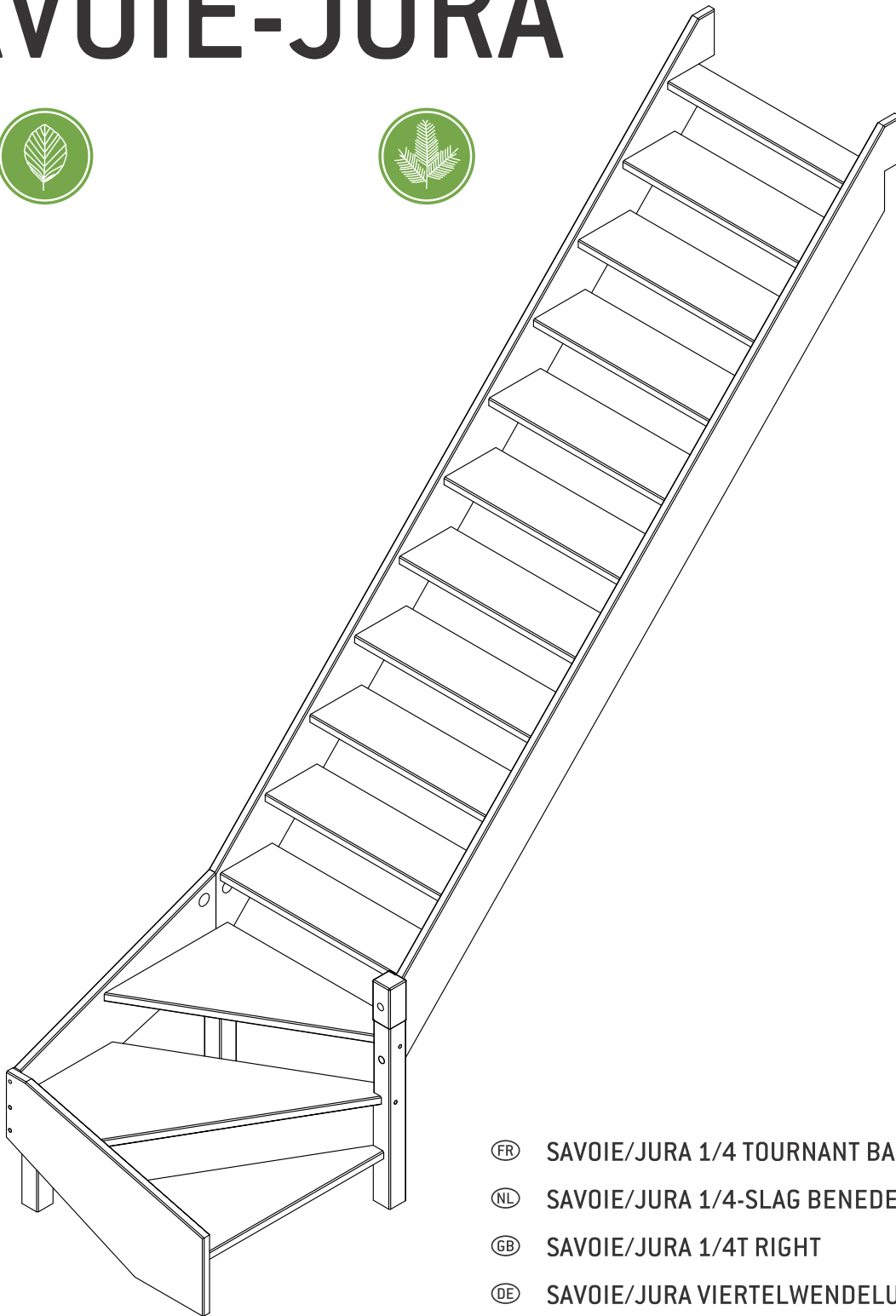


Producent: SOGEM Group, Rue Grimard, 39 B-6061 Montignies-Sur-Sambre (Charleroi) - Belgia  
 Dystrybucja: DOLLE Sp. z o.o., ul. Międzyrzecka 149, 43-382 Bielsko-Biała, Polska  
 Tel. 33 827-24-90, E-mail: biuro@dolle.com

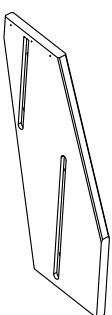

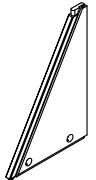
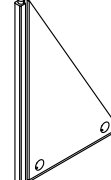
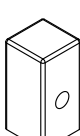
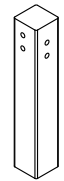
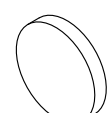
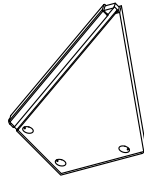
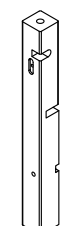

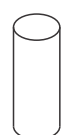




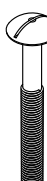
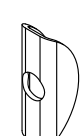








SOGEM

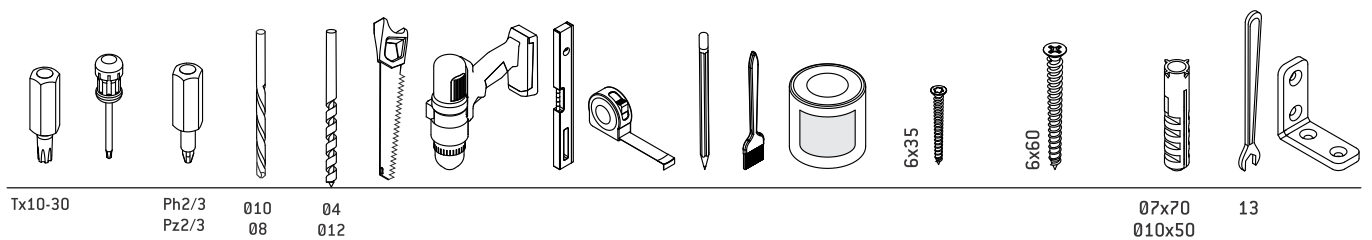
DOLLE®

# SAVOIE-JURA

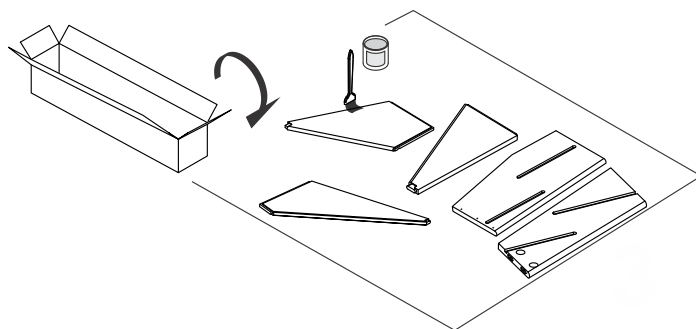


- Ⓧ SAVOIE/JURA 1/4 TOURNANT BAS DROITE
- Ⓧ SAVOIE/JURA 1/4-SLAG BENEDEN RECHTS
- Ⓧ SAVOIE/JURA 1/4T RIGHT
- Ⓧ SAVOIE/JURA VIERTELWENDELUNG UNTEN RECHTS
- Ⓧ SAVOIE/JURA 1/4 DE GIRO BAJO DERECHA
- Ⓧ SAVOIE/JURA 1/4 T DREAPTA JOS
- Ⓧ SAVOIE/JURA APATINIS 1/4 POSŪKIS Į DEŠINĘ
- PL SAVOIE/JURA ZABIEG 1/4 PRAWY

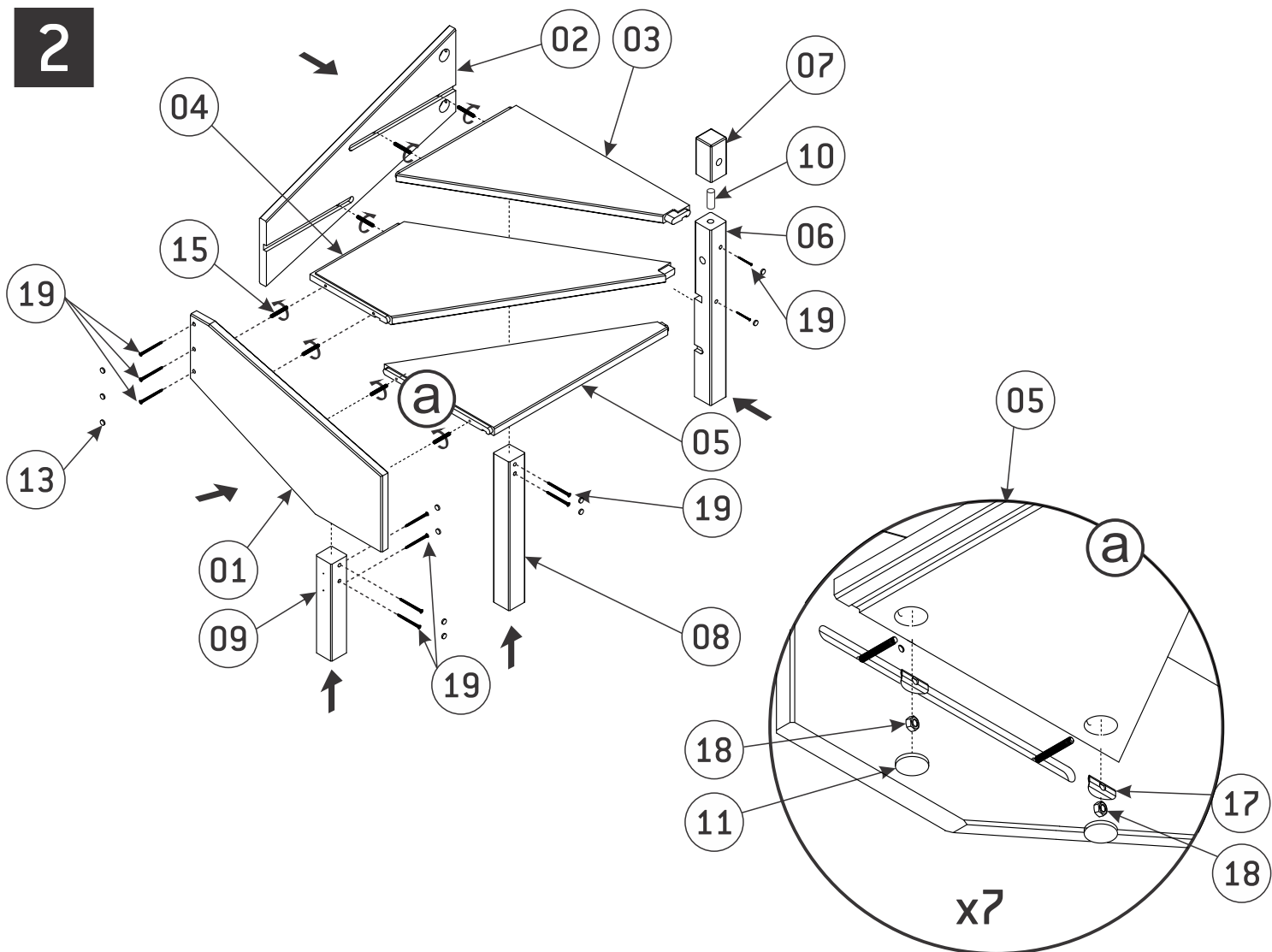
<p>01 31x483x836 mm x1</p>  <p>SAVOIE 70012063 JURA 70012033</p>	<p>02 31x563x828 mm x1</p>  <p>SAVOIE 70012064 JURA 70012034</p>	<p>03 31x523x782 mm x1</p>  <p>SAVOIE 70012065 JURA 70012035</p>	<p>05 31x482x782 mm x1</p>  <p>SAVOIE 70012066 JURA 70012036</p>	<p>07 70x70x140 mm x1</p> 	<p>09 70x70x367 mm x1</p> 	<p>11 040 x 6 mm x11+1</p> 
		<p>04 31x752x827 mm x1</p>  <p>SAVOIE 70012067 JURA 70012037</p>	<p>06 70x70x663,5 mm x1</p>  <p>SAVOIE 70012068 JURA 70012038</p>	<p>08 70x70x563 mm x1</p> 	<p>10 020 x 50 mm x1</p> 	<p>12 020 x 6 mm x2</p> 
<p>13 012 x 6 mm x12</p> 	<p>14 08 x 110 mm x1</p> 	<p>15 08 x 70 mm x8</p> 	<p>16 08 x 70 mm x1</p> 	<p>17 1.5x11x18.6mm x11</p> 	<p>18 M8 x11</p> 	
<p>19 05x60 mm x12+2</p>  <p>70031053</p>	<p>20 08 x 110 mm x1</p> 					    



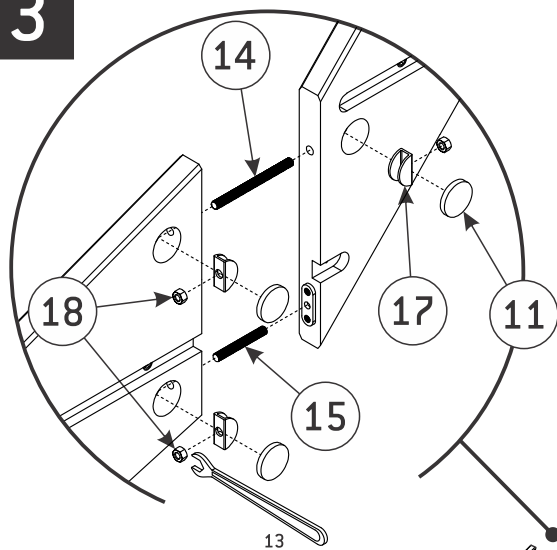
1



2

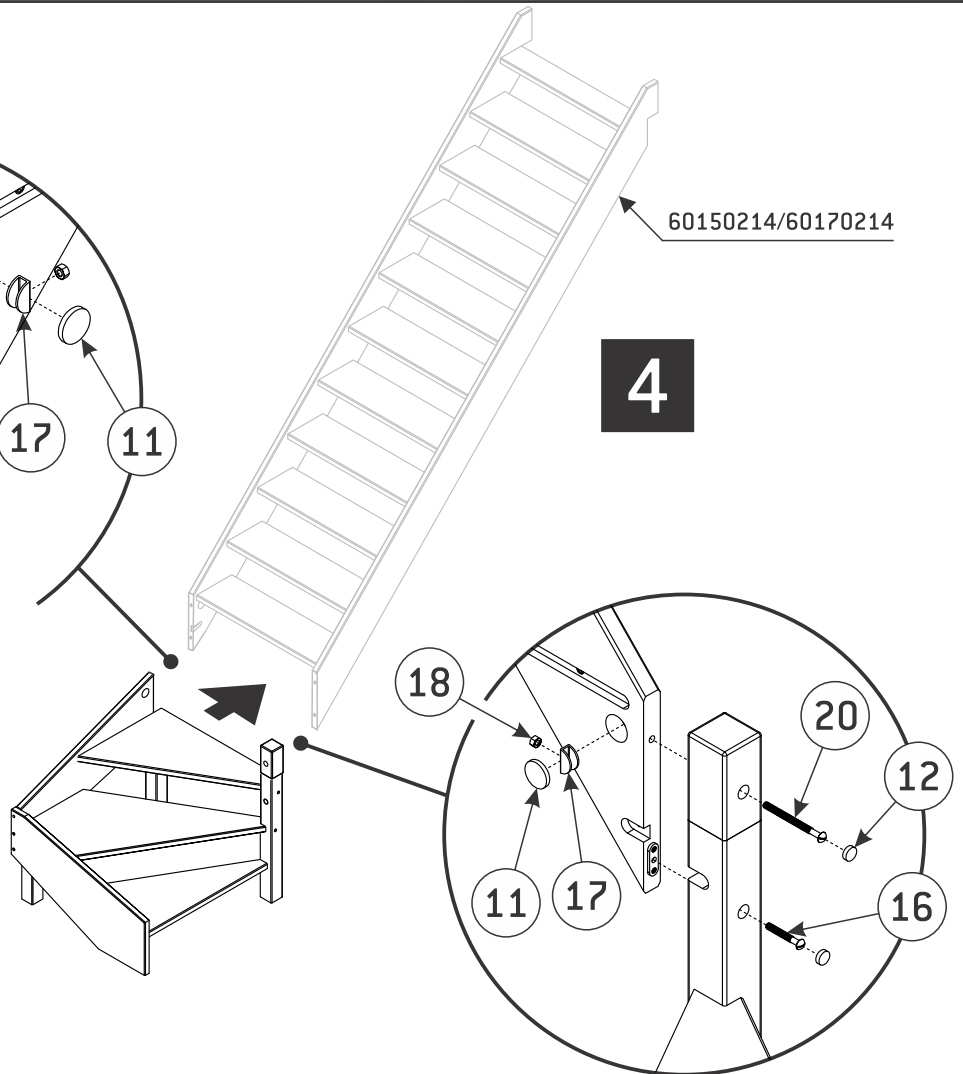


**3**

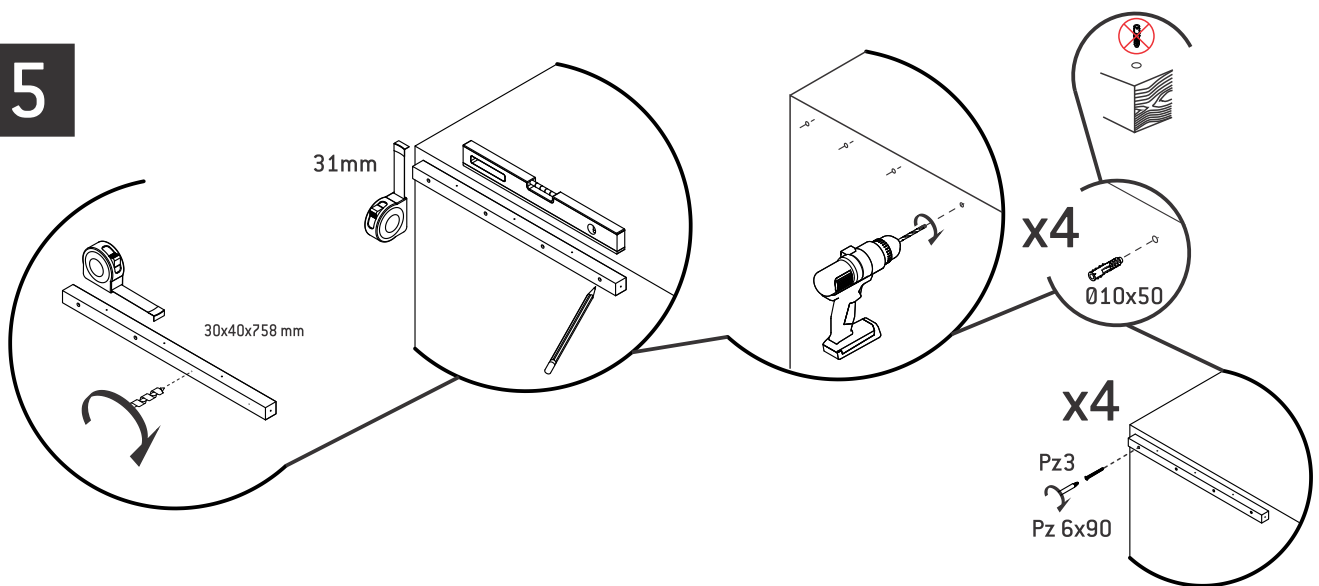


60150214/60170214

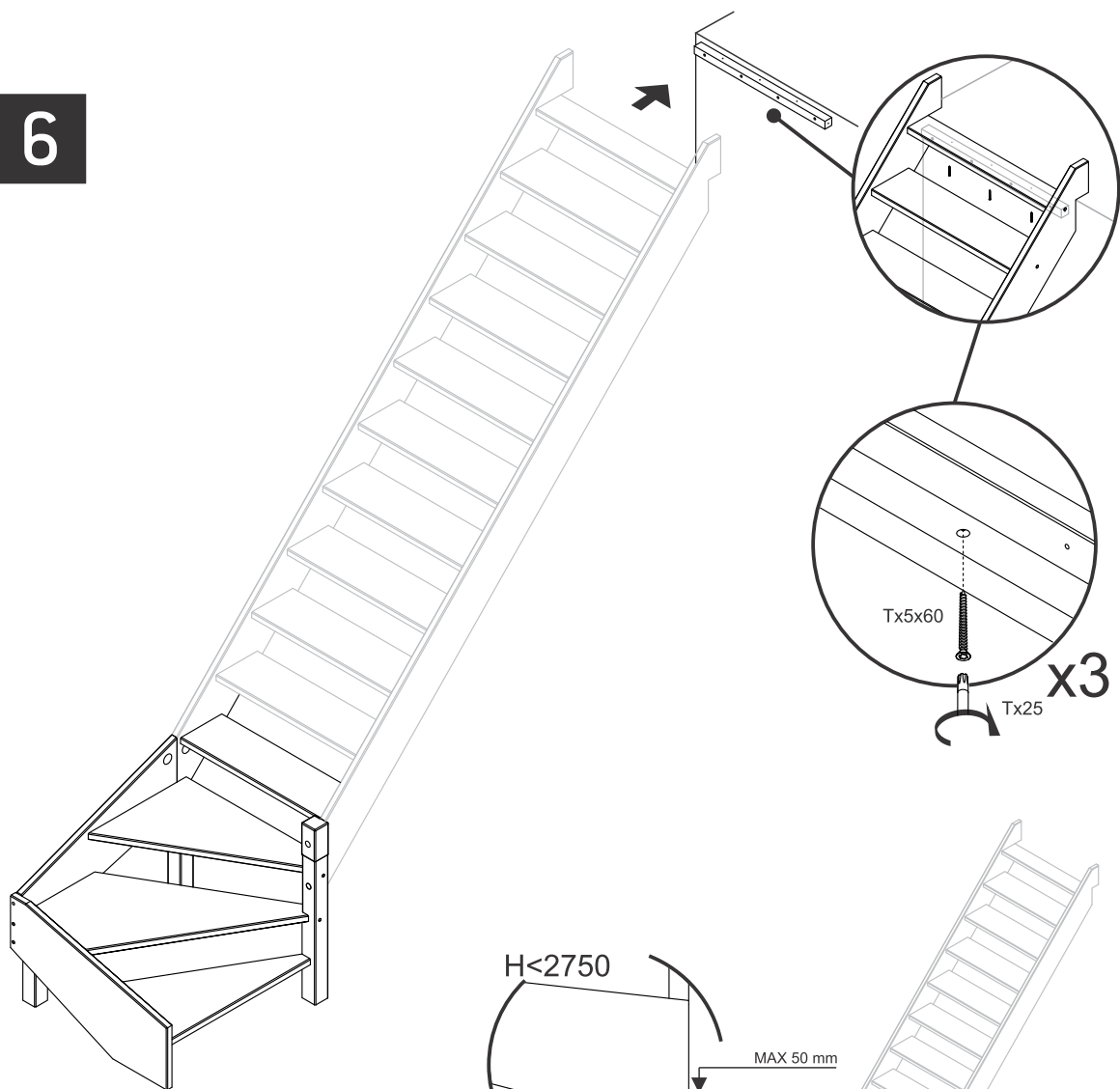
**4**



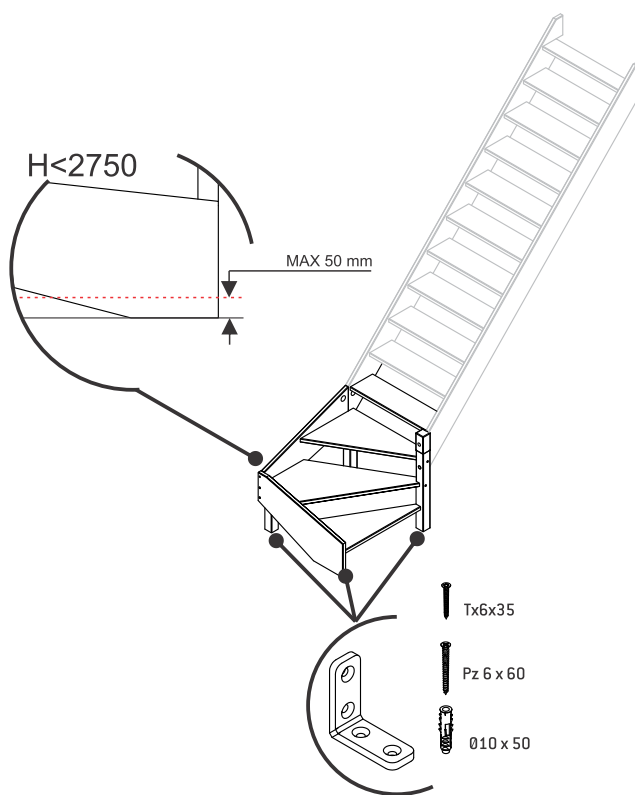
**5**



6



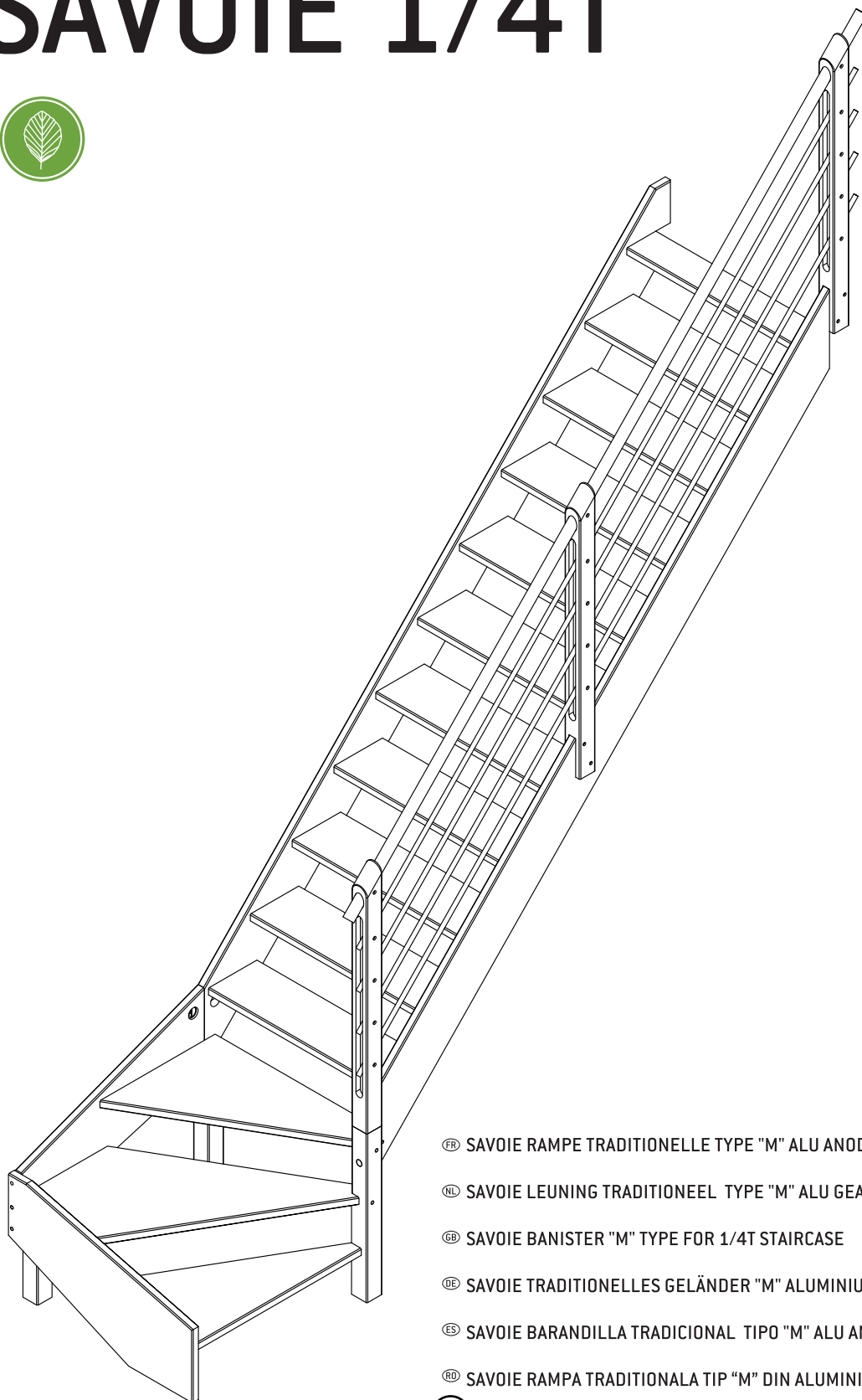
7



Producent: SOGEM Group, Rue Grimard, 39 B-6061 Montignies-Sur-Sambre (Charleroi) - Belgia  
 Dystrybucja: DOLLE Sp. z o.o., ul. Międzyrzecka 149, 43-382 Bielsko-Biała, Polska  
 Tel. 33 827-24-90, E-mail: biuro@dolle.com



# SAVOIE 1/4T



FR SAVOIE RAMPE TRADITIONELLE TYPE "M" ALU ANODISE INOX ESC. 1/4 TOURNANT

NL SAVOIE LEUNING TRADITIONEEL TYPE "M" ALU GEANODISEERD INOX 1/4-SLAG


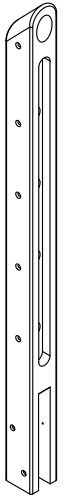
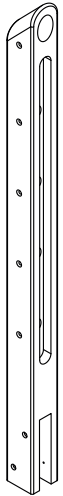
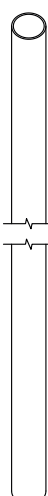



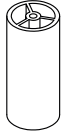


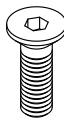
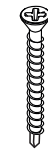








GB SAVOIE BANISTER "M" TYPE FOR 1/4T STAIRCASE

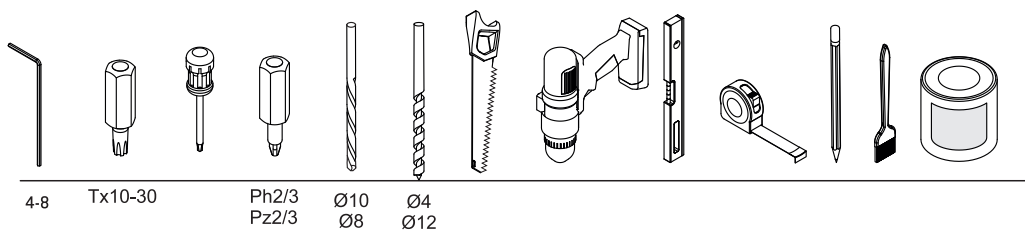
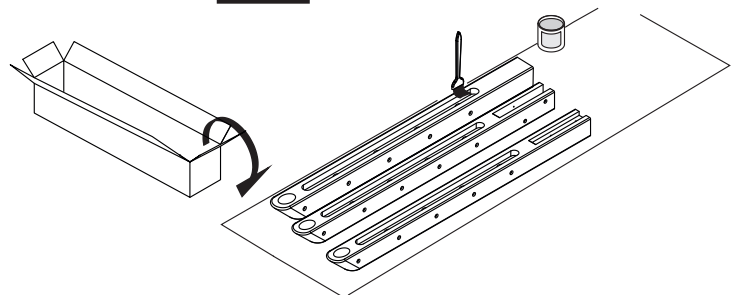
DE SAVOIE TRADITIONELLES GELÄNDER "M" ALUMINIUM ELOXIERT EDELSTAHL GEWENDELTE TREPPE

ES SAVOIE BARANDILLA TRADICIONAL TIPO "M" ALU ANODIZADO INOX ESC. 1/4 DE GIRO

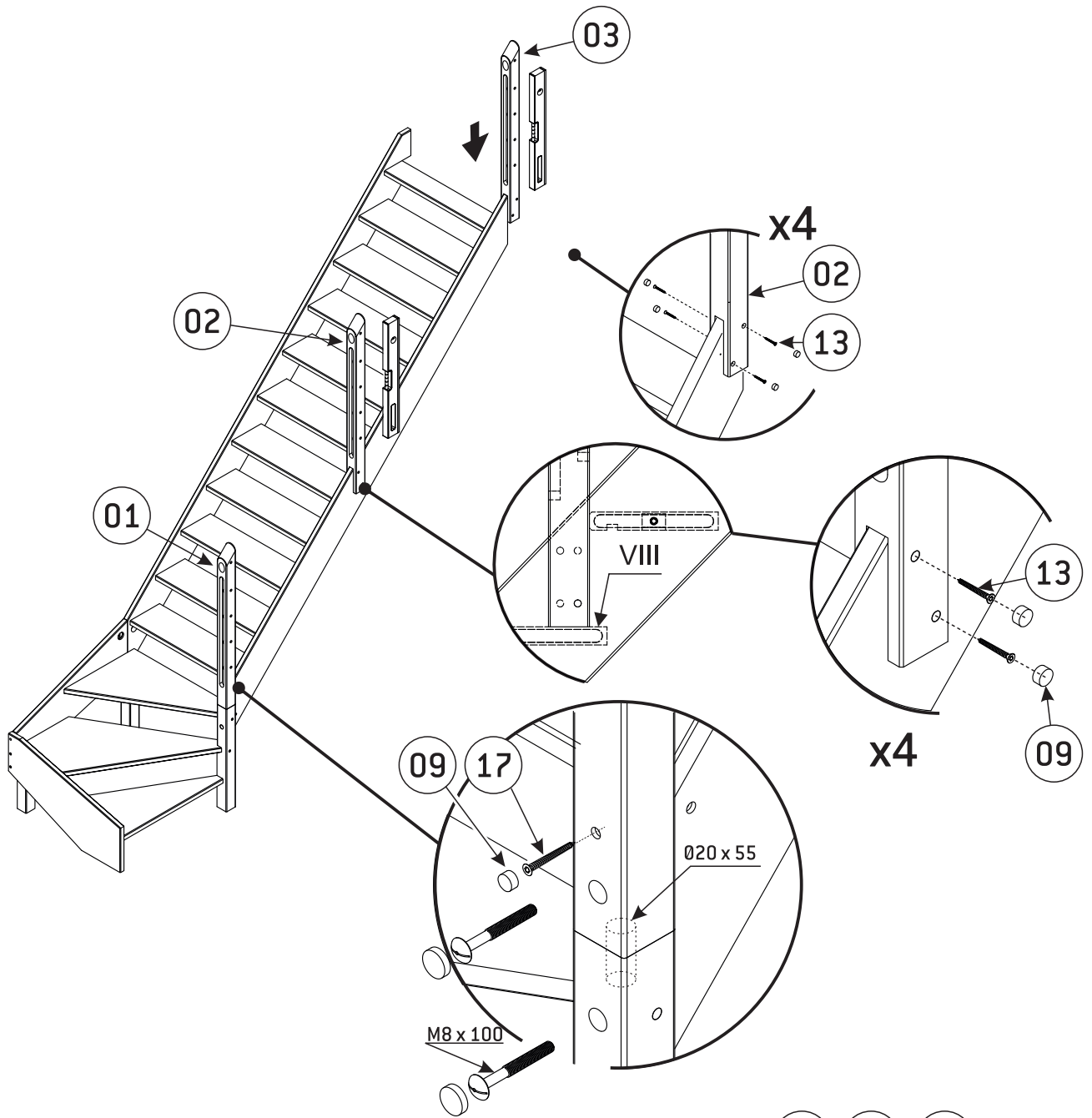
RO SAVOIE RAMPA TRADITIONALA TIP "M" DIN ALUMINIU ANODIZAT INOX PTENTRU SCARA 1/4T JOS

LT SAVOIE Tureklas "M", laiptai su ketvirčio posūkiu PL SAVOIE BALUSTRADA TYP M

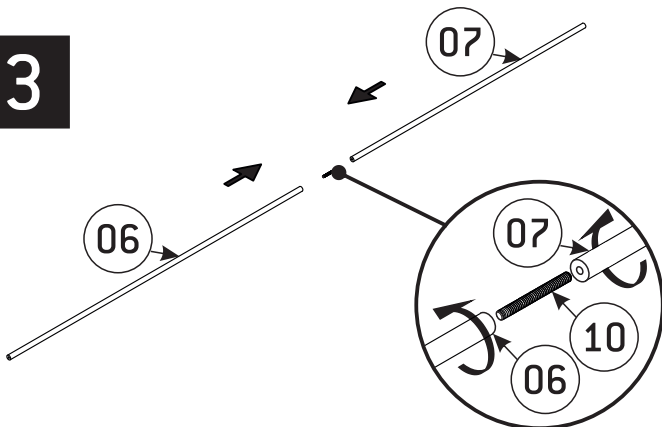
<b>01</b> 70x70x1025 mm x1 	<b>02</b> 70x70x1114 mm x1 	<b>03</b> 70x70x1127 mm x1 	<b>04</b> Ø40x1557 mm x1 	<b>05</b> Ø40x1792 mm x1 	<b>06</b> Ø16x1507 mm x4 	<b>07</b> Ø16x1742 mm x4 
<b>08</b> Ø34,6x82 mm x1 	<b>09</b> 12x6 mm x12 	<b>10</b> M8x40 mm x4 	<b>11</b> M6x28(30)mm x12 	<b>12</b> 3,9x19 mm x3+1 	<b>13</b> Ø4x40 mm x8+2 	<b>14</b> Ø40x14 mm x2 
<b>15</b> Ø16x12 mm x8 	<b>16</b> 40x99x23 mm x1 	<b>17</b> Ø5x60 mm x1 	   <div style="background-color: black; color: white; padding: 5px; display: inline-block; font-size: 24px; font-weight: bold;">1</div>			



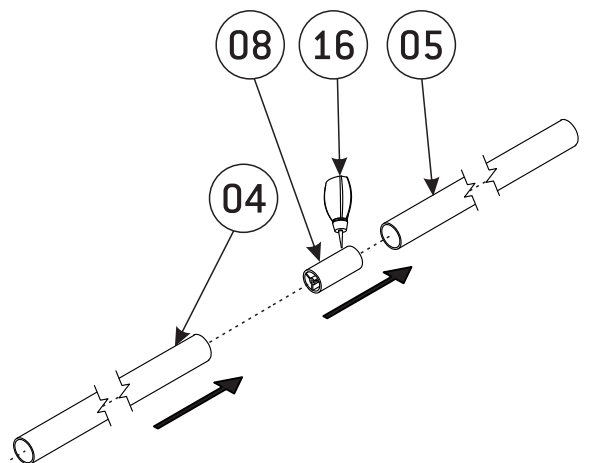
**2**



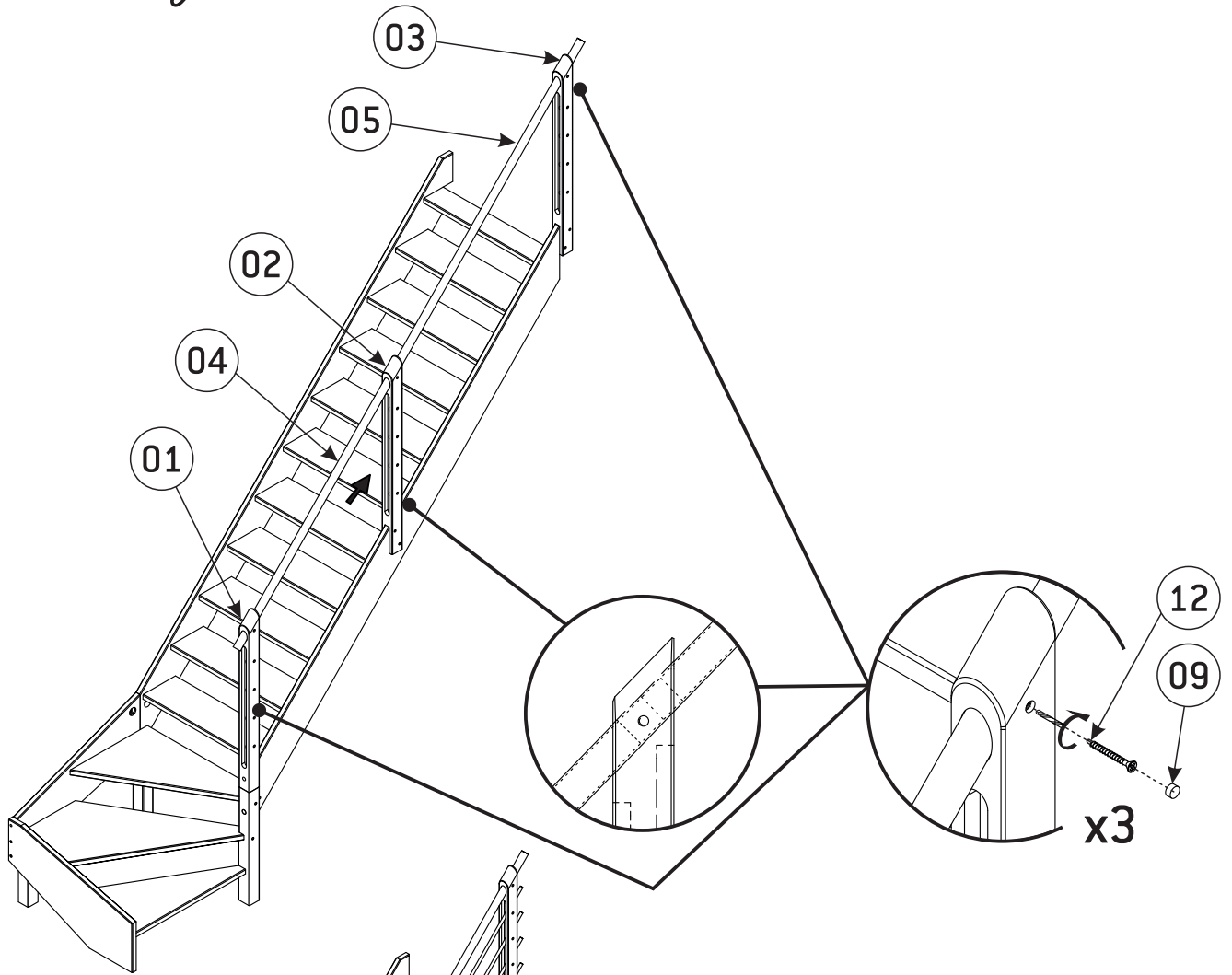
**3**



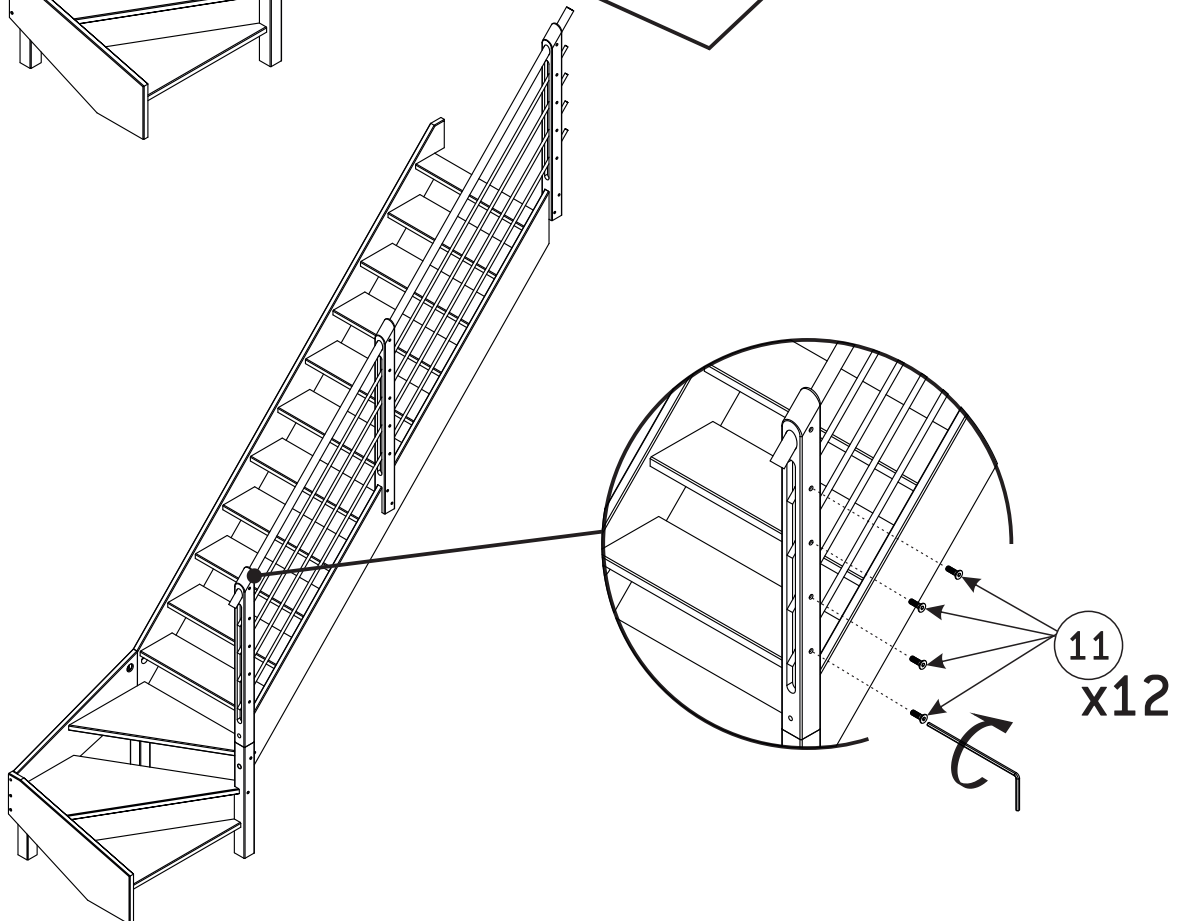
**4**



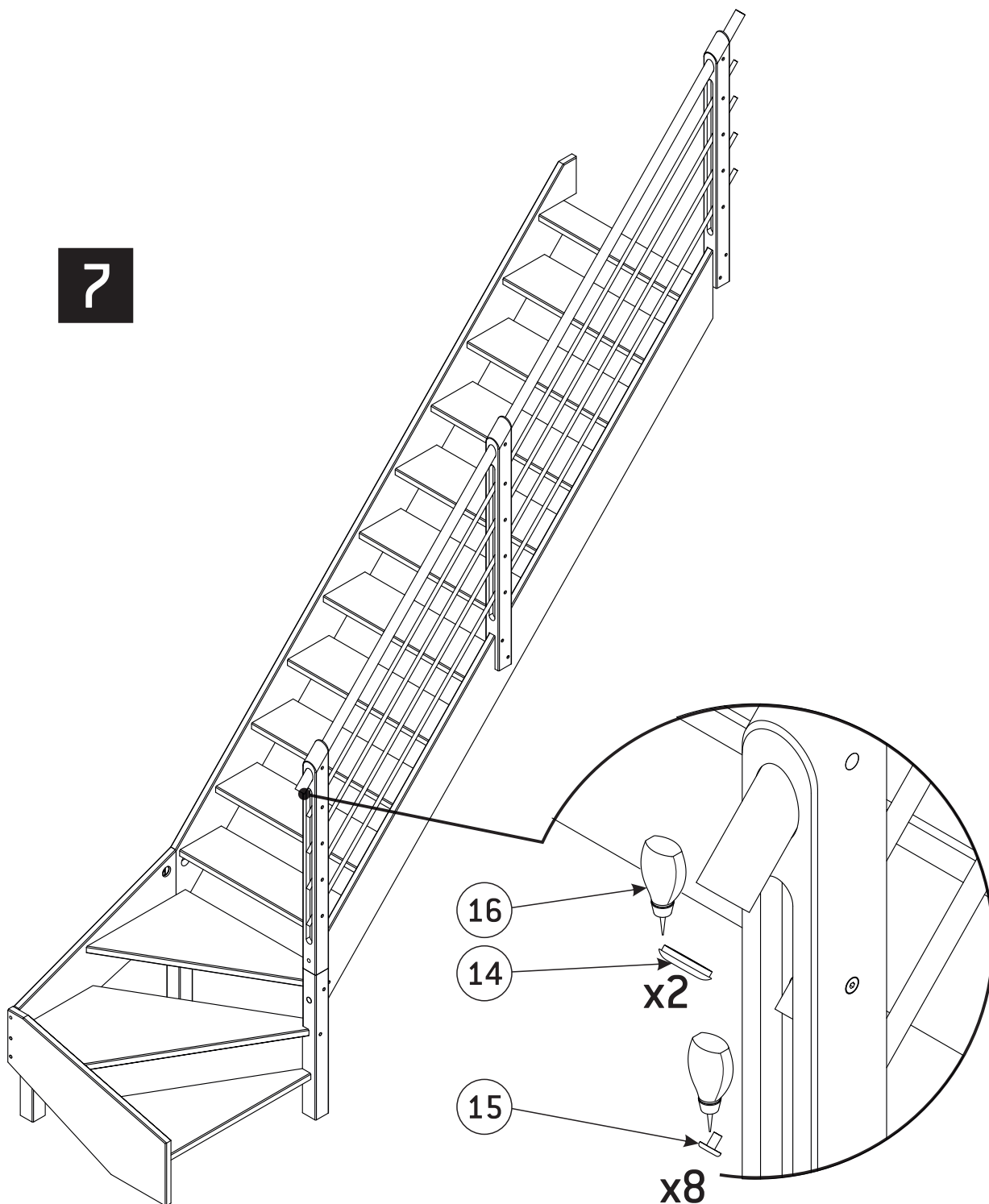
5



6

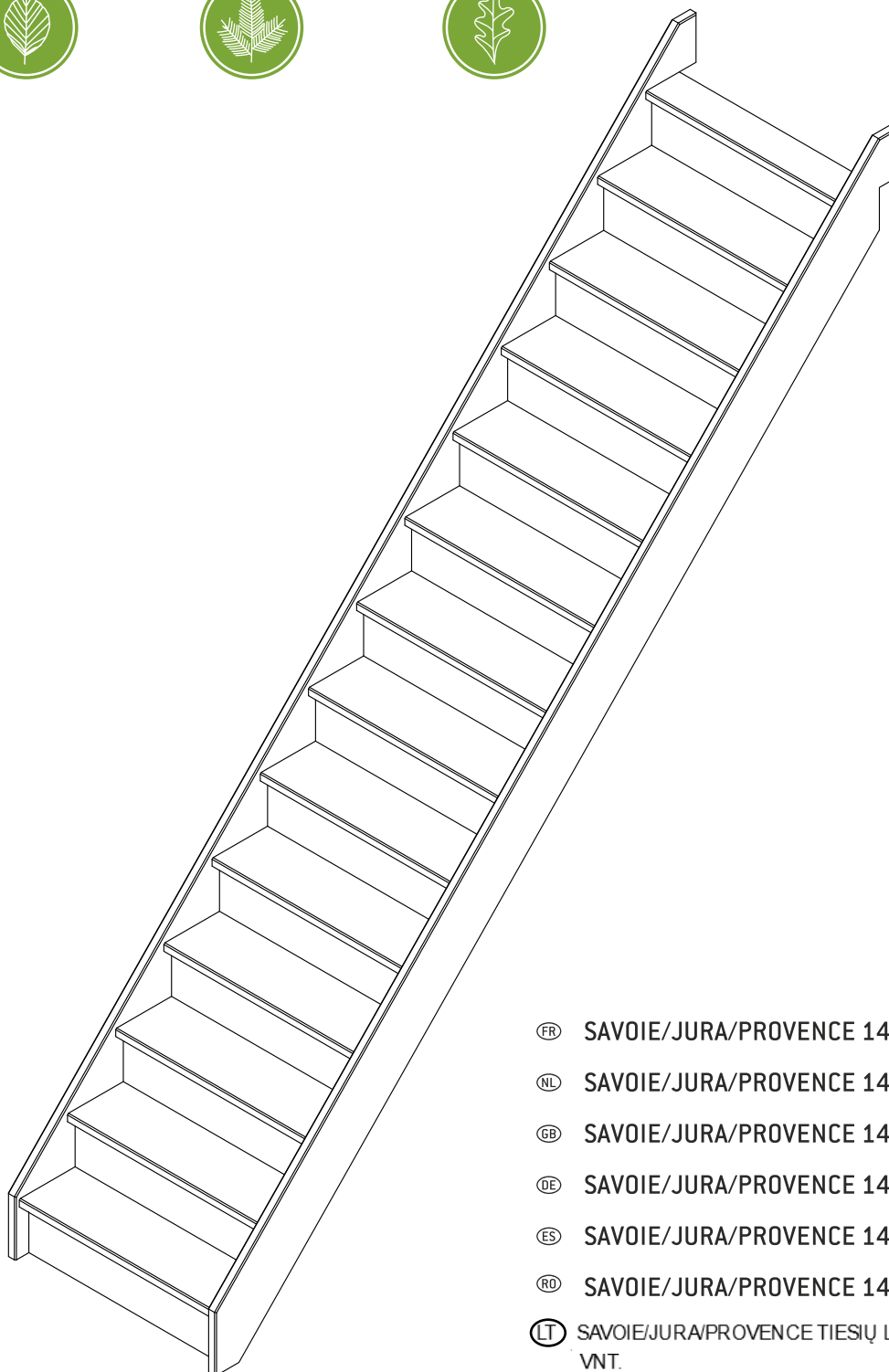


7

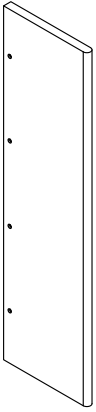
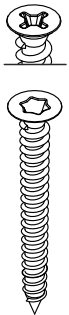



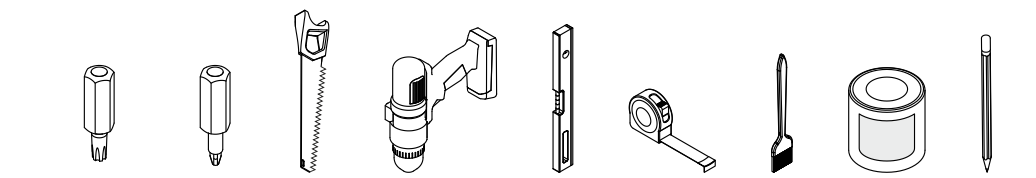
Producent: SOGEM Group, Rue Grimard, 39 B-6061 Montignies-Sur-Sambre (Charleroi) - Belgia  
 Dystrybucja: DOLLE Sp. z o.o., ul. Międzyrzecka 149, 43-382 Bielsko-Biała, Polska  
 Tel. 33 827-24-90, E-mail: biuro@dolle.com

# SAVOIE-JURA-PROVENCE



- Ⓡ SAVOIE/JURA/PROVENCE 14 CONTREMARCHE
- Ⓝ SAVOIE/JURA/PROVENCE 14 TEGENTREDEN
- Ⓜ SAVOIE/JURA/PROVENCE 14 RISERS STAIRCASE
- Ⓝ SAVOIE/JURA/PROVENCE 14 SETZSTUFEN
- Ⓝ SAVOIE/JURA/PROVENCE 14 CONTRAHUELLAS
- Ⓝ SAVOIE/JURA/PROVENCE 14 CONTRATREPTA SCARA
- Ⓝ SAVOIE/JURA/PROVENCE TIESIŲ LAIPTŲ PAKOPŲ UŽDENGIMAI. 14 VNT.
- Ⓝ SAVOIE/JURA/PROVENCE 14 PODSTOPNI

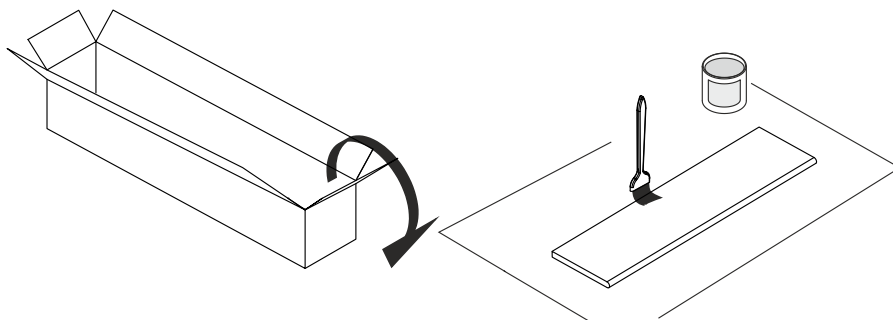
<p><b>01</b> 18x206x770 mm x14</p>  <p>PROVENCE 70012083 SAVOIE 70012053 JURA 70012023</p>	<p><b>02</b> 04 x 40 mm x52+2</p>  <p>70031054</p>	<p><b>03</b> 04 x 35 mm x8</p>  <p>70031050</p>
---	---	---



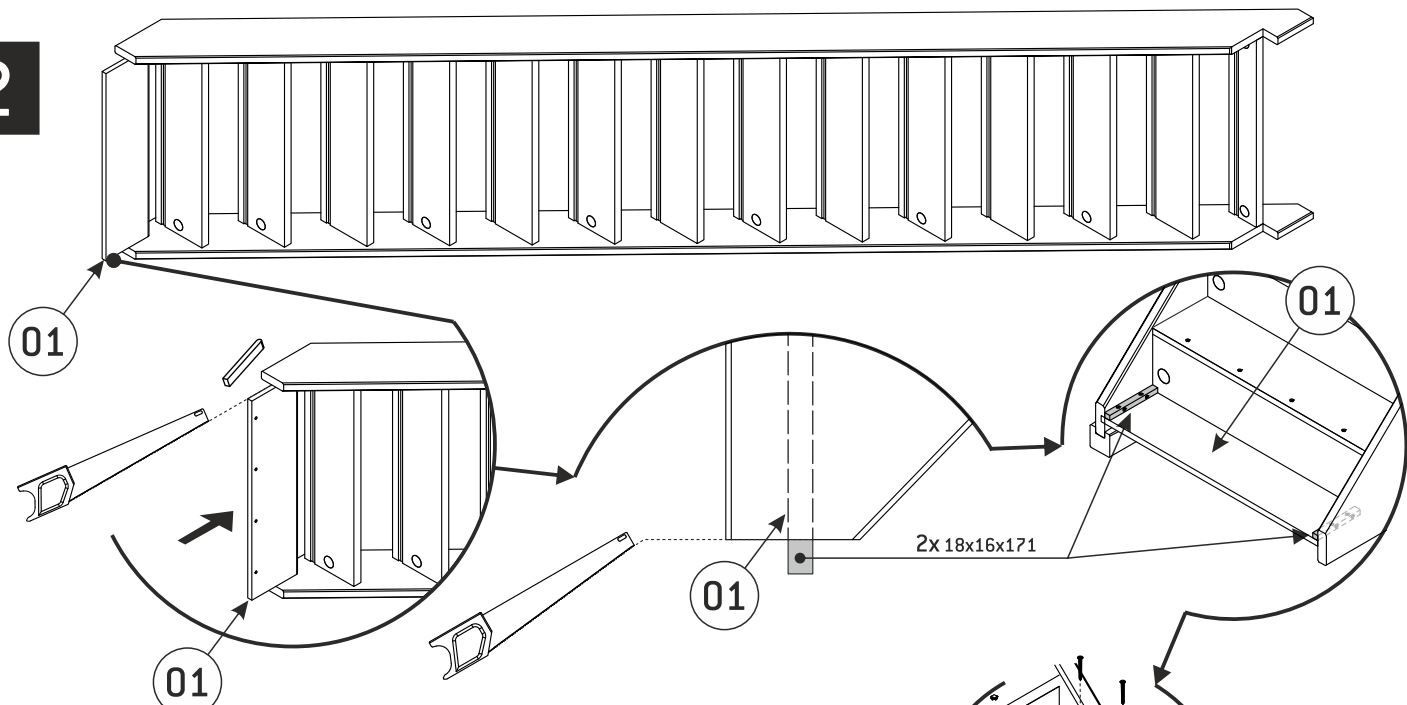
Tx10-30

Ph2/3  
Pz2/3

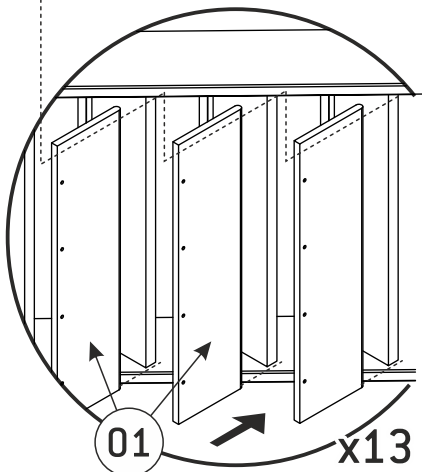
**1**



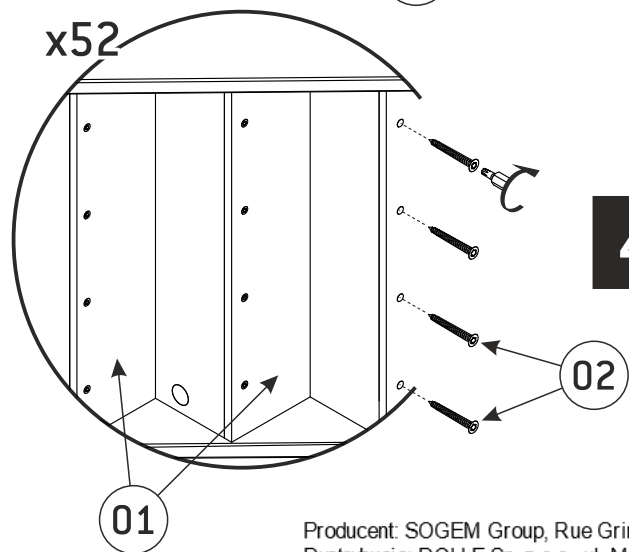
2



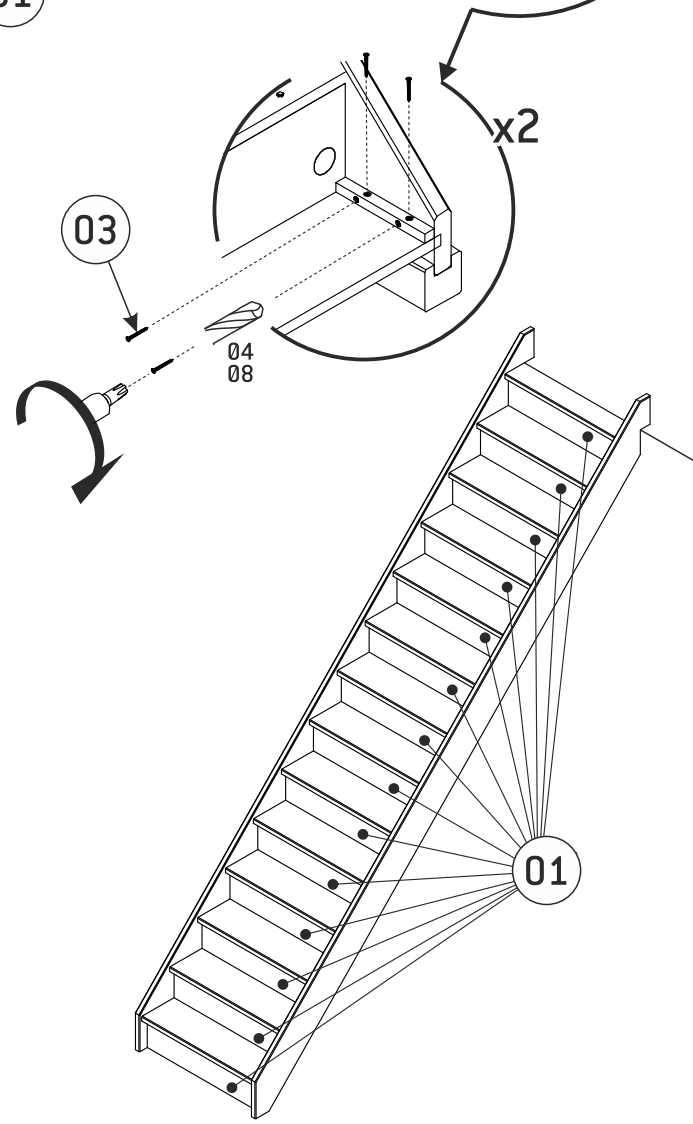
3



x52



4



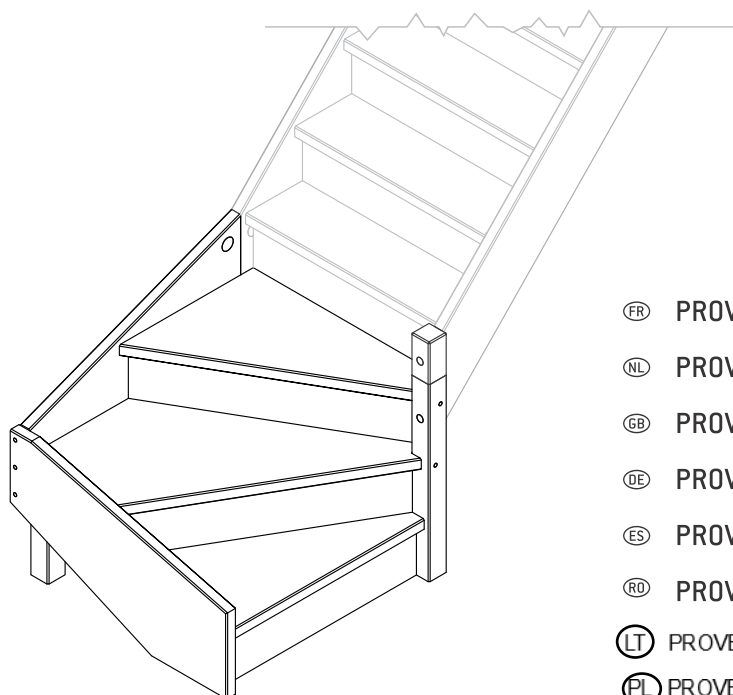
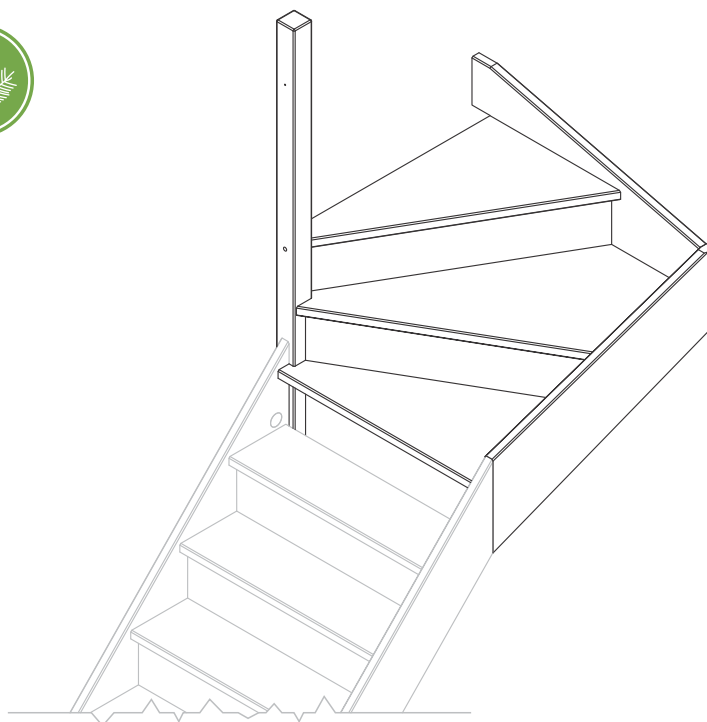
Producent: SOGEM Group, Rue Grimard, 39 B-6061 Montignies-Sur-Sambre (Charleroi) - Belgia  
 Dystrybucja: DOLLE Sp. z o.o., ul. Międzyrzecka 149, 43-382 Bielsko-Biała, Polska  
 Tel. 33 827-24-90, E-mail: biuro@dolle.com



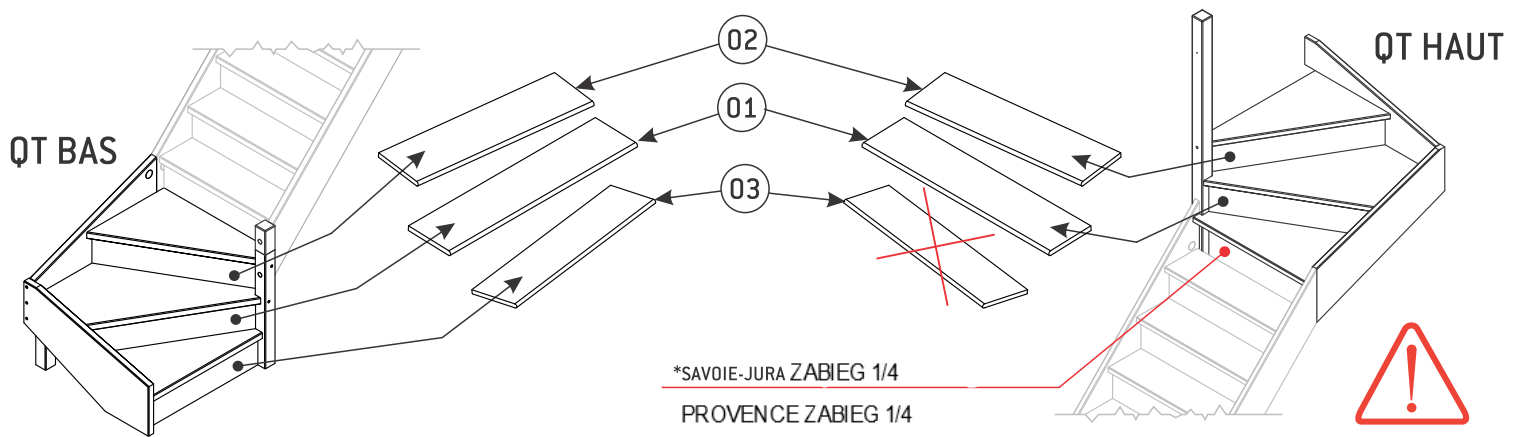
SOGEM

DOLLE

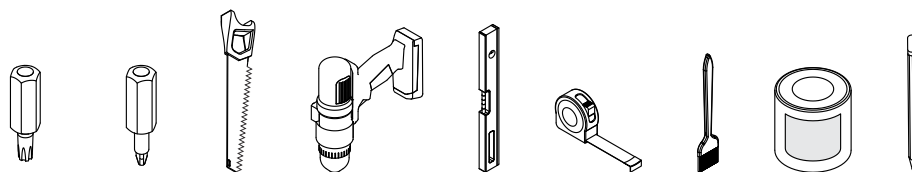
# PROVENCE- SAVOIE-JURA 1/4T / 1/4T<sup>HAUT</sup>



- Ⓡ PROVENCE/SAVOIE/JURA 3 CONTREMARCHES
- ⓃL PROVENCE/SAVOIE/JURA 3 TEGENTREDEN
- ⓄB PROVENCE/SAVOIE/JURA 3 RISERS STAIRCASE
- ⓄE PROVENCE/SAVOIE/JURA 3 SETZSTUFEN
- ⓄS PROVENCE/SAVOIE/JURA 3 CONTRAHUELLAS
- ⓇO PROVENCE/SAVOIE/JURA 3 CONTRATREPTÉ SCARA
- ⓃT PROVENCE/SAVOIE/JURA posūkio pakopų uždengimai
- ⓄL PROVENCE/SAVOIE/JURA 3 PODSTOPNIE

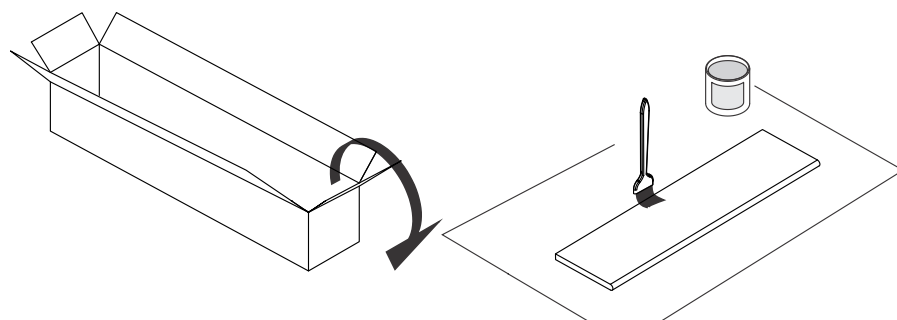


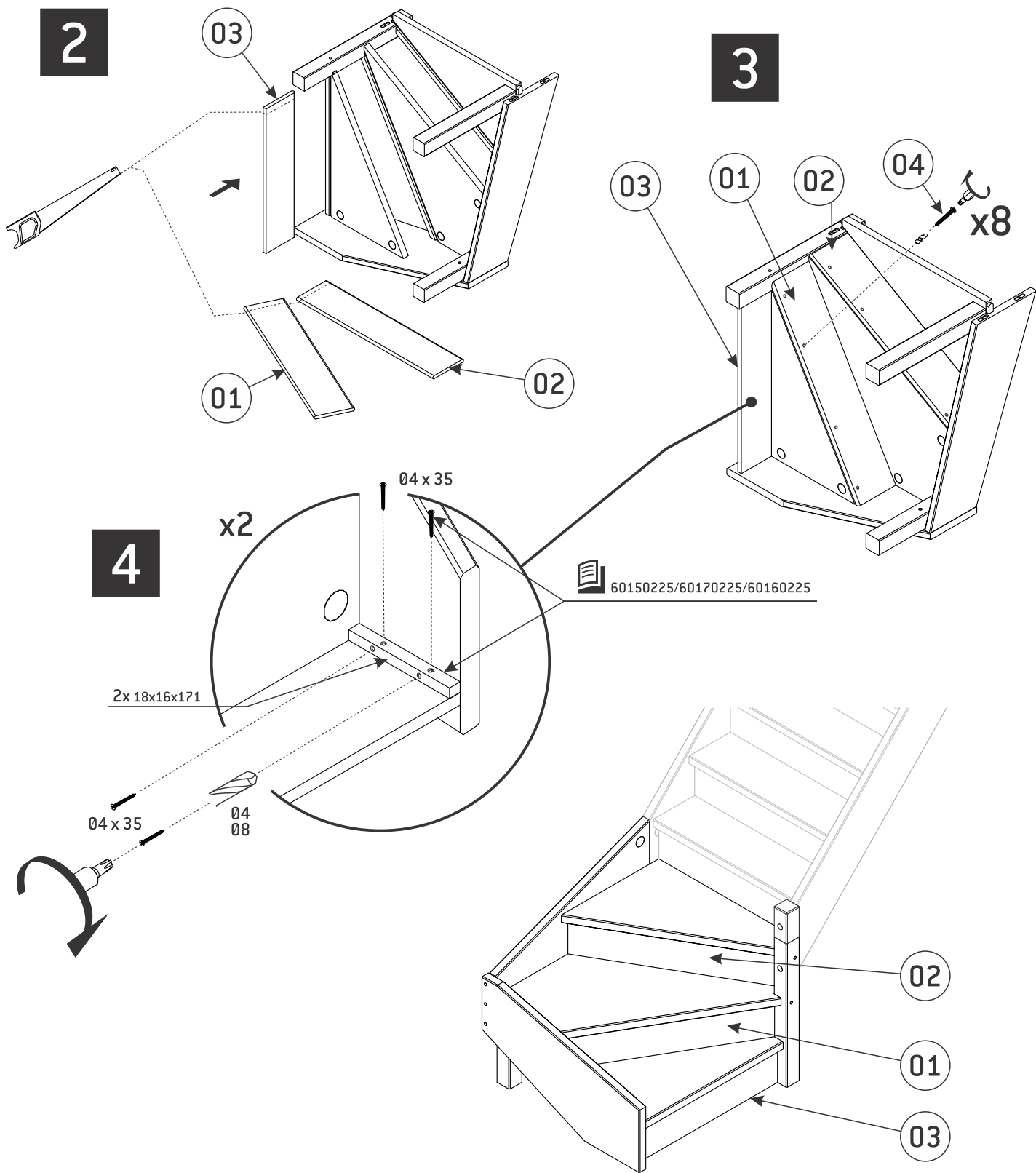
01	02	03	04
18x206x960 mm	18x206x915 mm	18x181x770 mm	04 x 40 mm
x1	x1	x1	x8+2
PROVENCE 70012084 SAVOIE 70012054 JURA 70012024	PROVENCE 70012085 SAVOIE 70012055 JURA 70012025	PROVENCE 70012086 SAVOIE 70012056 JURA 70012026	70031054



Tx10-30  
Ph2/3  
Pz2/3

**1**





Producent: SOGEM Group, Rue Grimard, 39 B-6061 Montignies-Sur-Sambre (Charleroi) - Belgia  
 Dystrybucja: DOLLE Sp. z o.o., ul. Międzyrzecka 149, 43-382 Bielsko-Biała, Polska  
 Tel. 33 827-24-90, E-mail: biuro@dolle.com