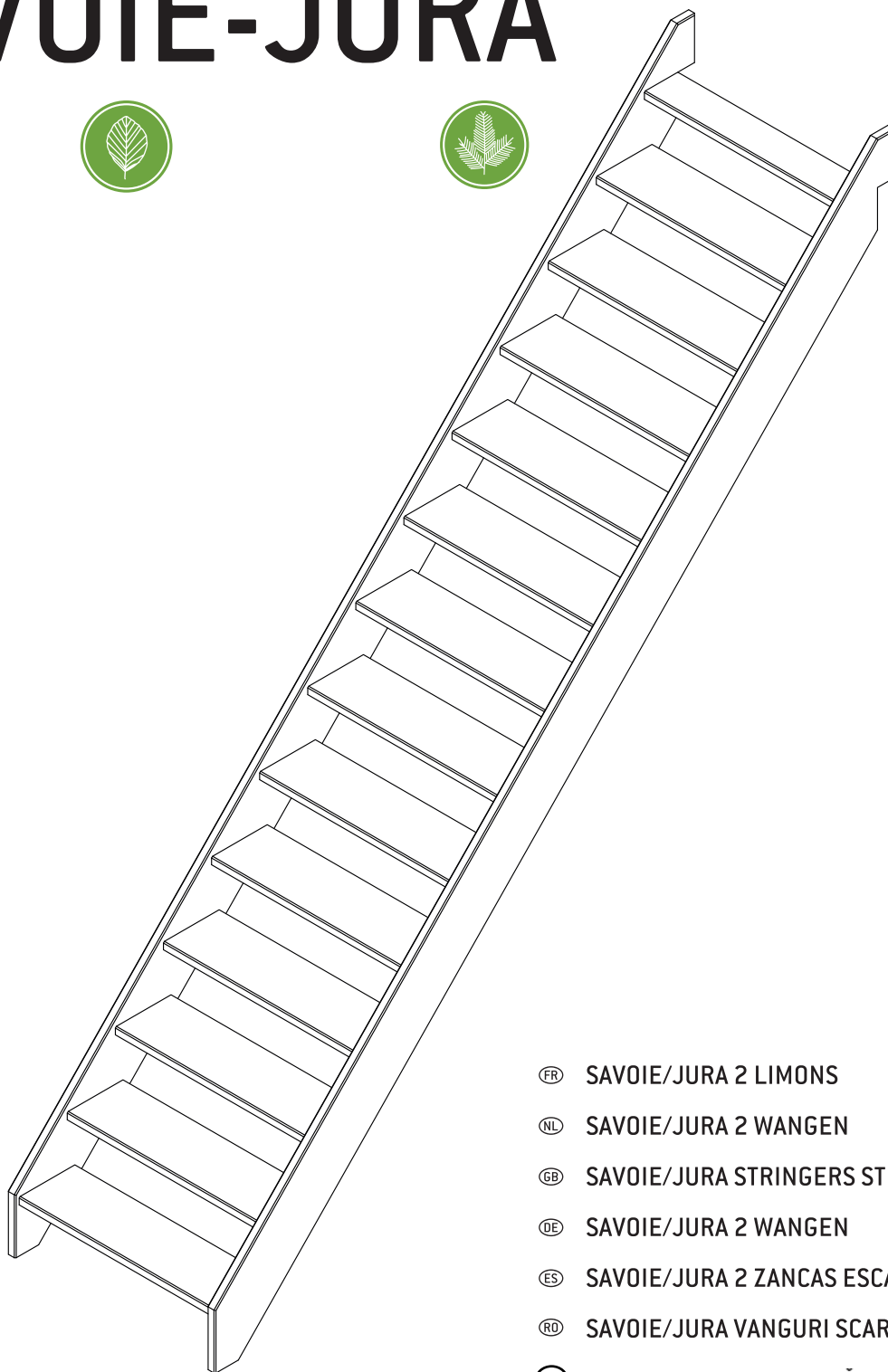
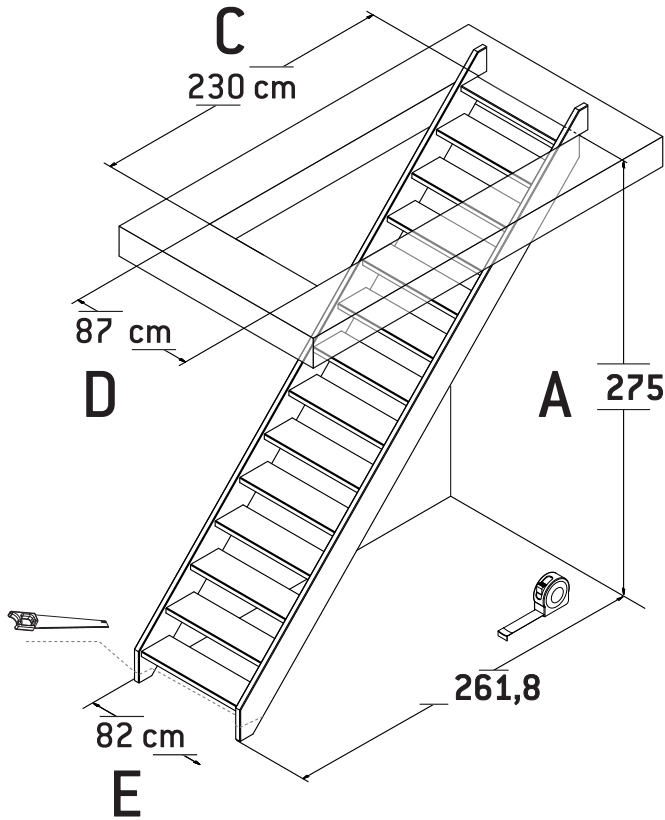


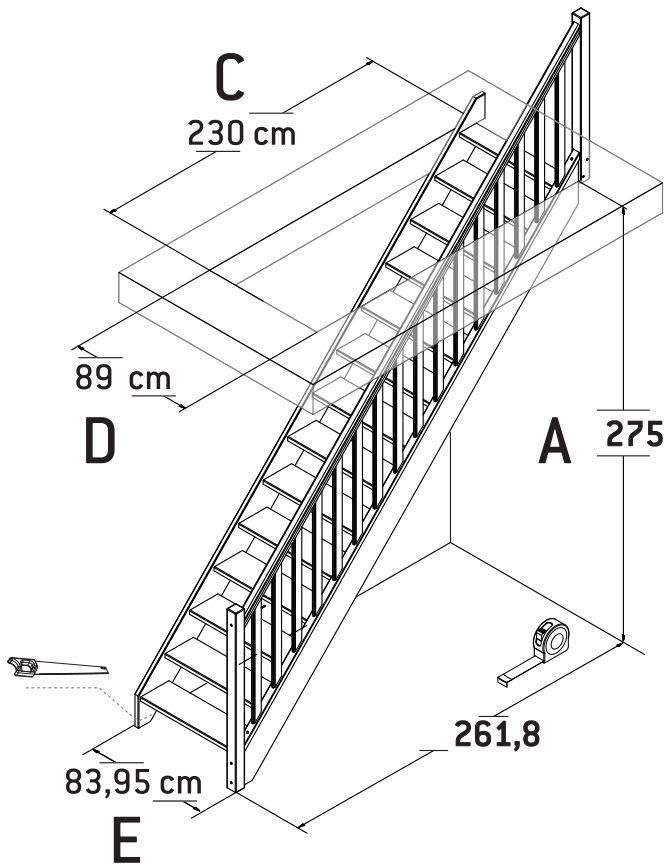
# SAVOIE-JURA



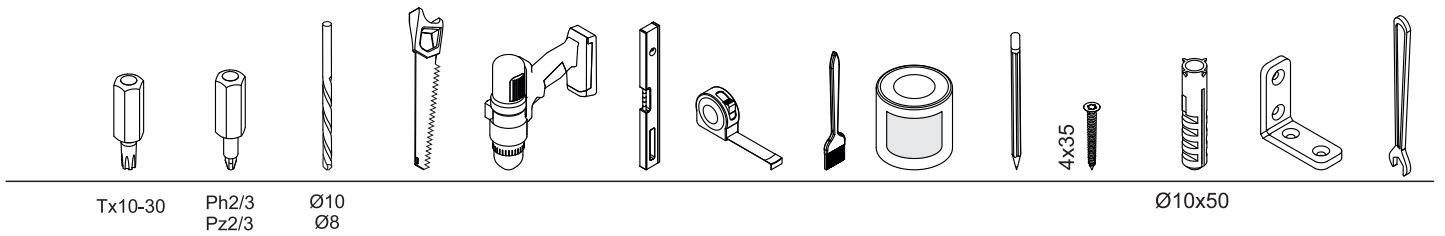
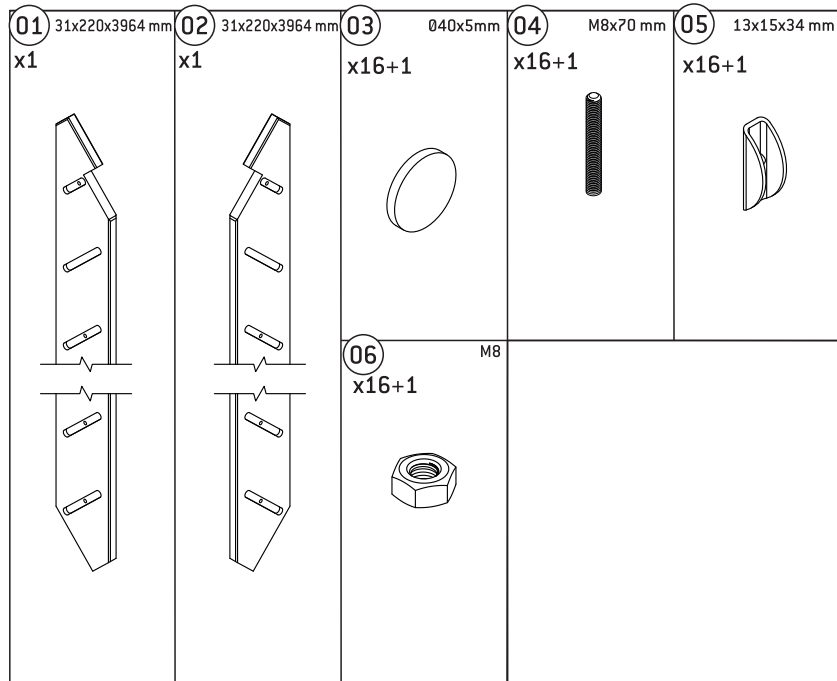
- Ⓡ SAVOIE/JURA 2 LIMONS
- Ⓡ SAVOIE/JURA 2 WANGEN
- Ⓡ SAVOIE/JURA STRINGERS STRAIGHT STAIR
- Ⓡ SAVOIE/JURA 2 WANGEN
- Ⓡ SAVOIE/JURA 2 ZANCAS ESCALERA RECTA
- Ⓡ SAVOIE/JURA VANGURI SCARA DREAPTA
- Ⓡ SAVOIE/JURA TIESIŲ LAIPTŲ ŠONINIAI UŽDENGIMAI
- Ⓡ SAVOIE/JURA SCHODY PROSTE



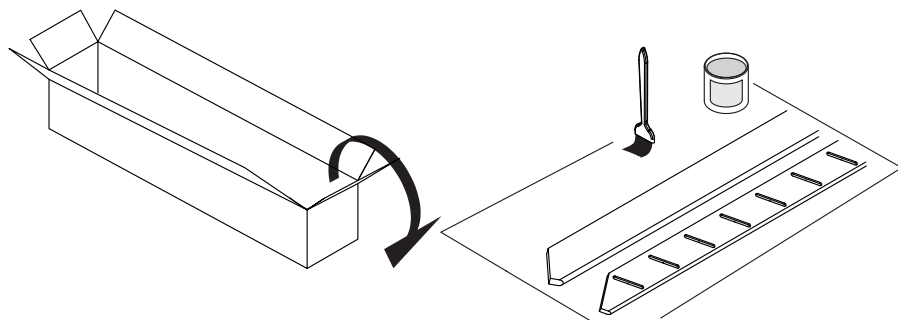
- A .....cm
- B.....cm
- C .....cm
- D .....cm
- E .....cm



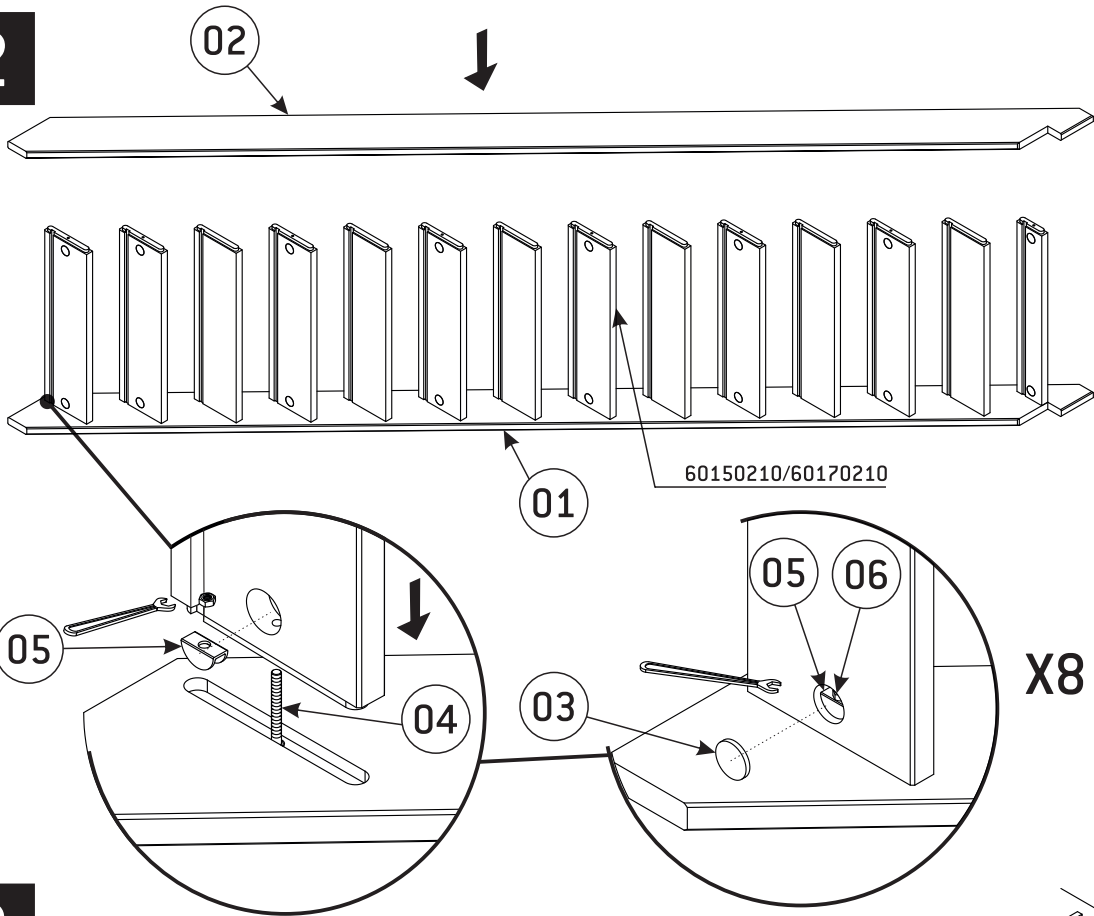
- A .....cm
- B.....cm
- C .....cm
- D .....cm
- E .....cm



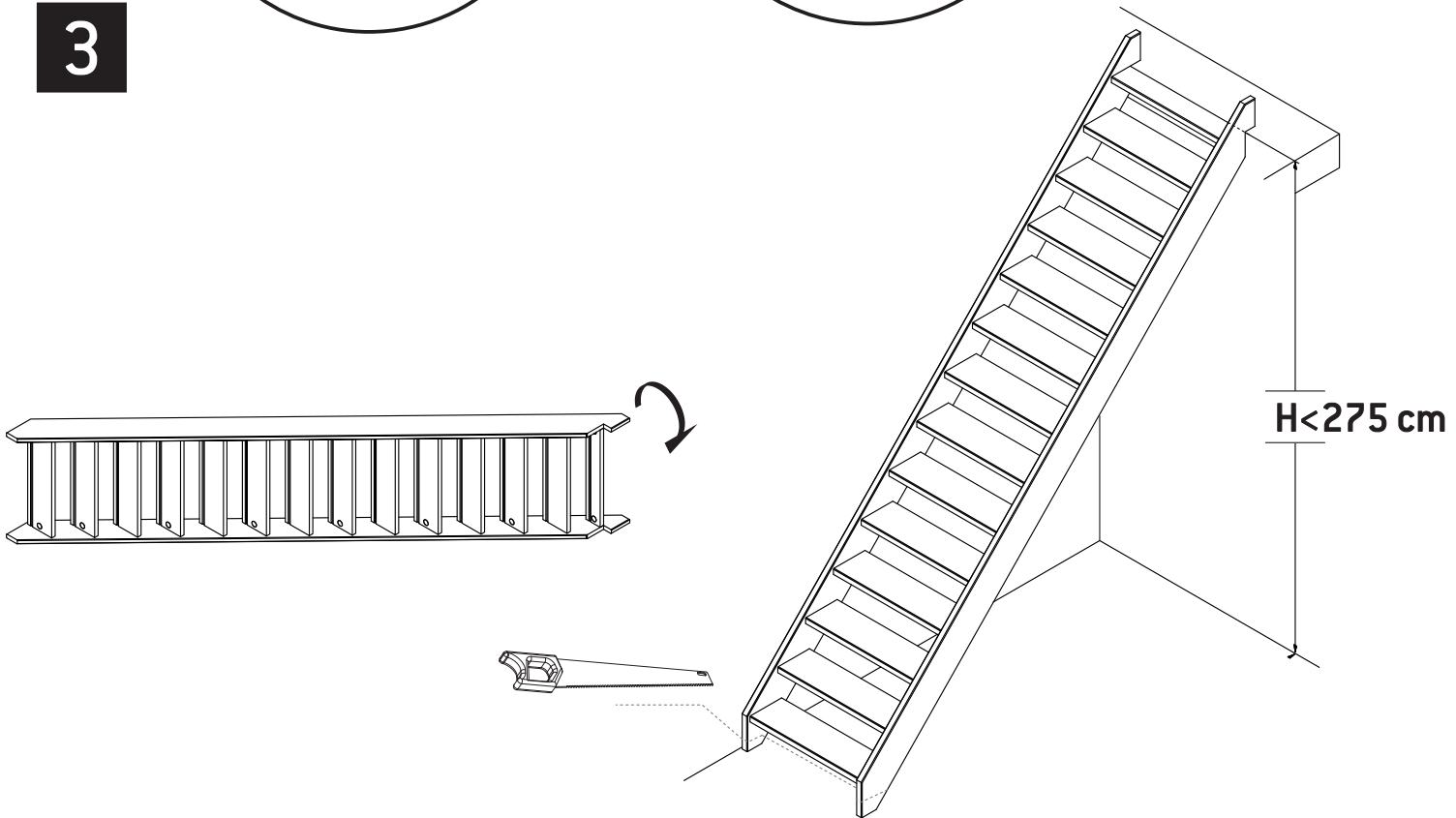
**1**



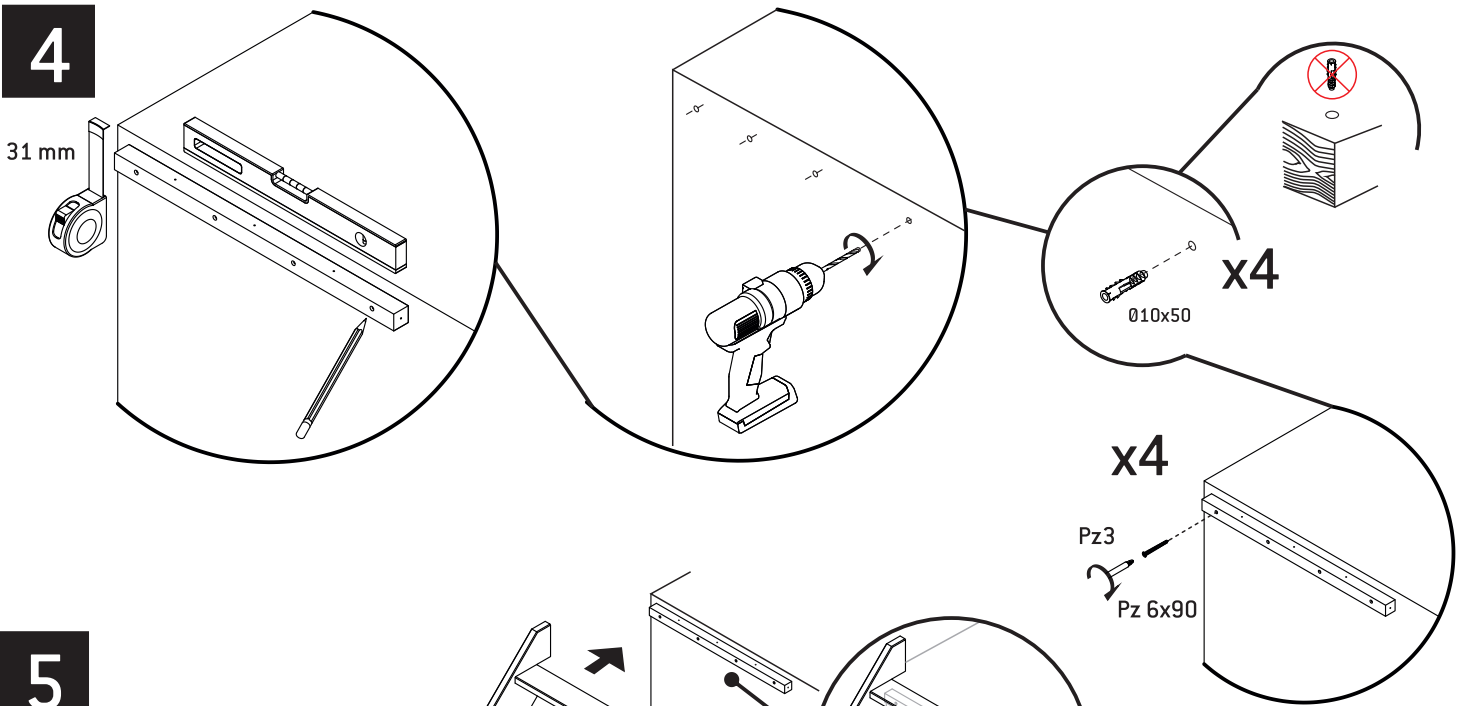
**2**



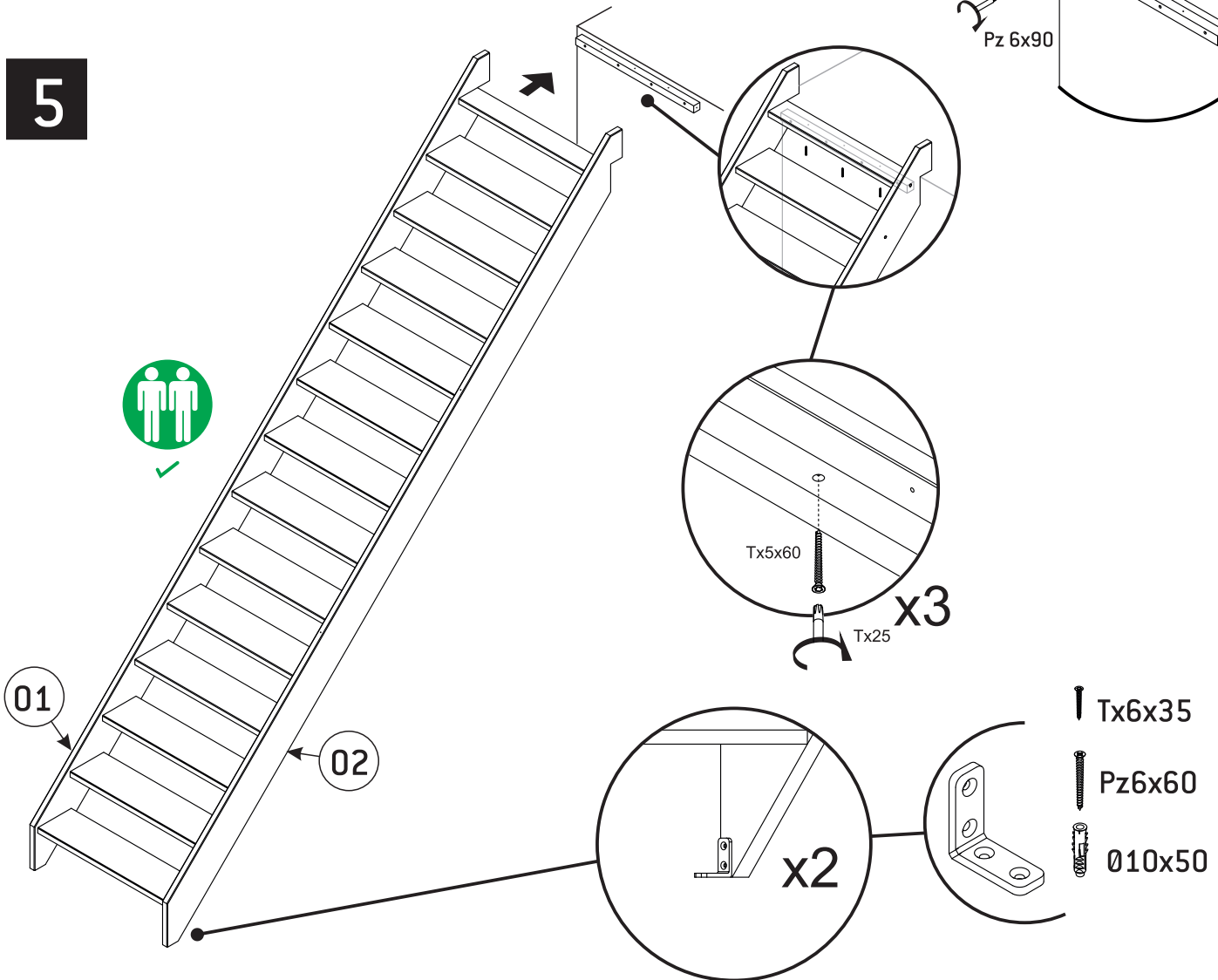
**3**



**4**



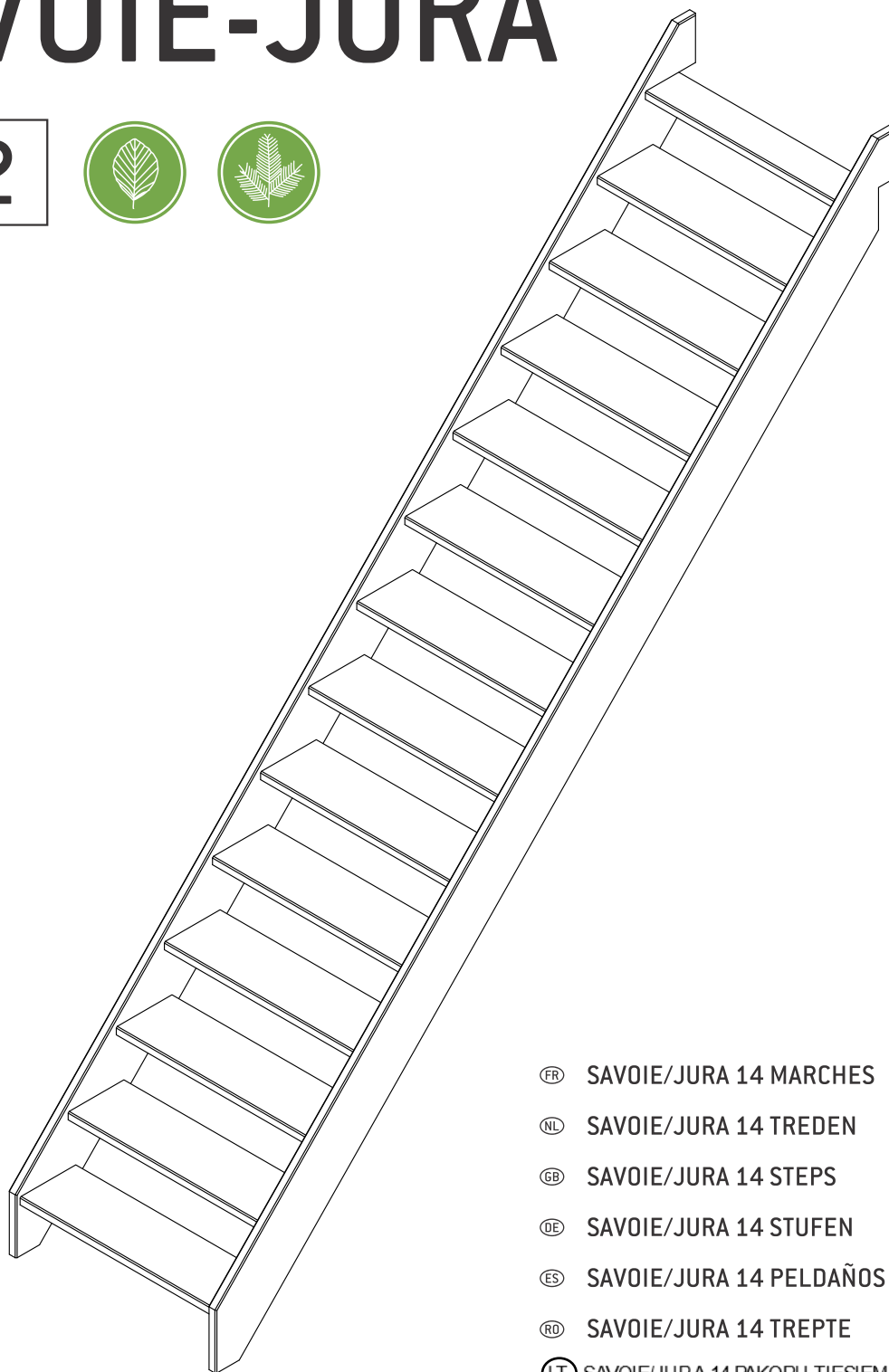
**5**



Producent: SOGEM Group, Rue Grimard, 39 B-6061 Montignies-Sur-Sambre (Charleroi) - Belgia  
 Dystrybutor: DOLLE Sp. z o.o., ul. Międzyrzeczka 149, 43-382 Bielsko-Biała, Polska  
 Tel. 33 827-24-90, E-mail: biuro@dolle.com

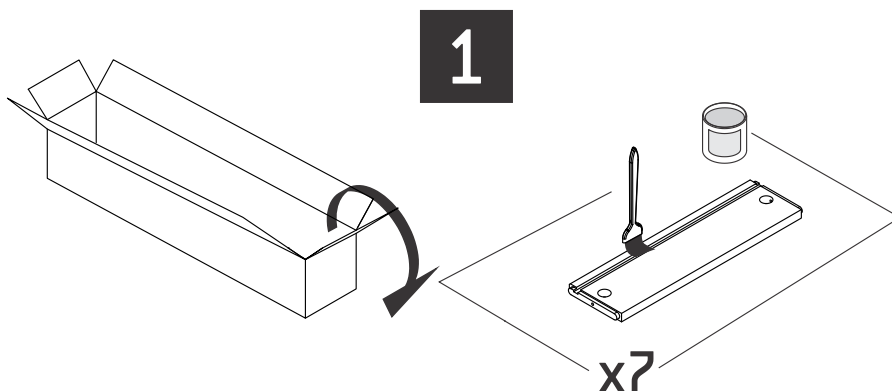
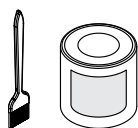
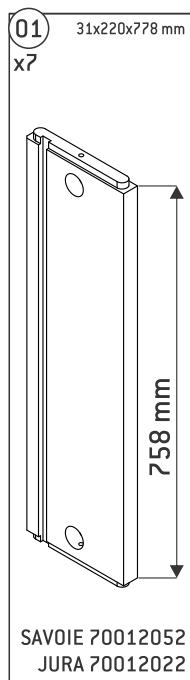
# SAVOIE-JURA

1 2



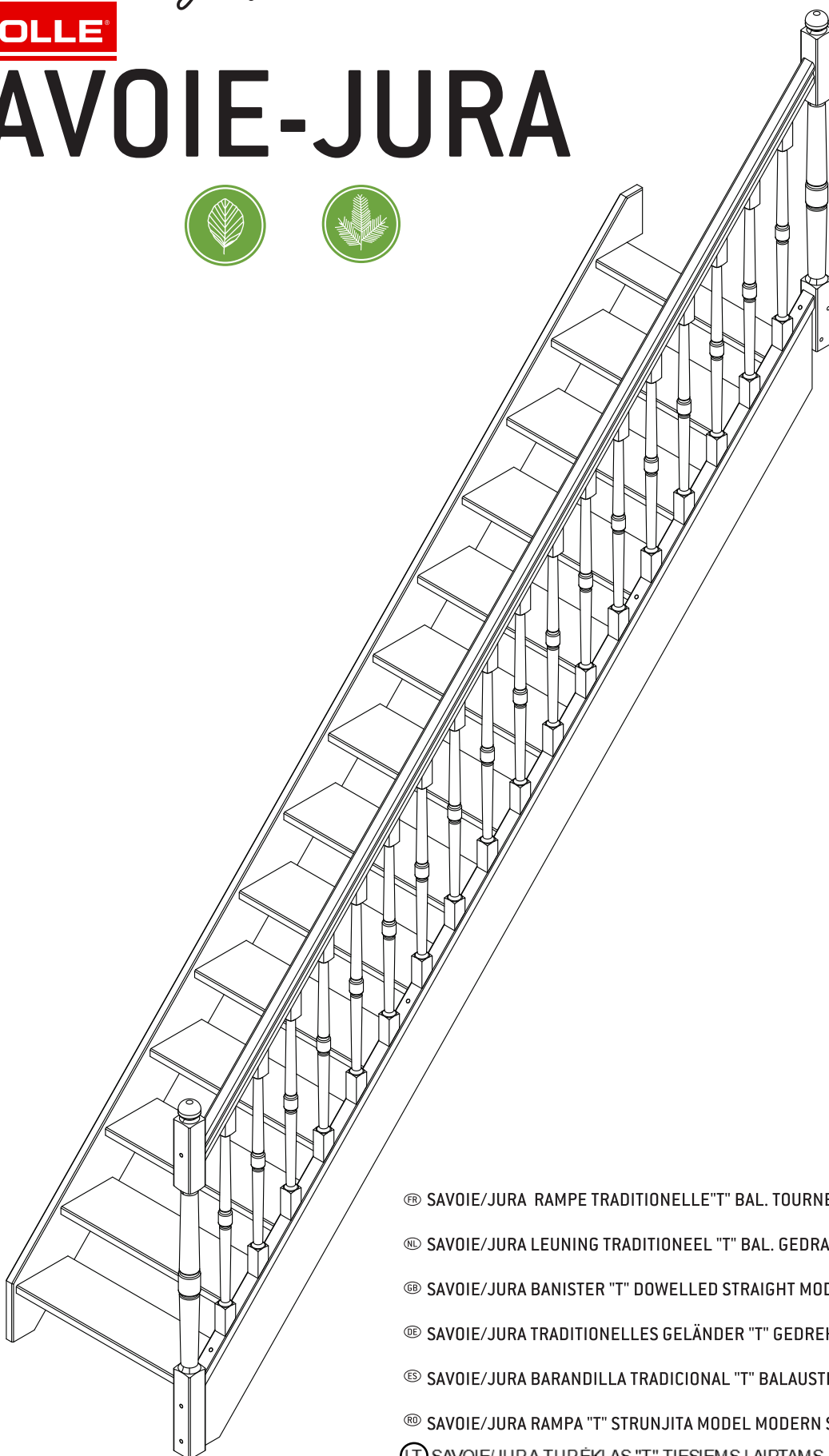
- FR SAVOIE/JURA 14 MARCHES
- NL SAVOIE/JURA 14 TREDEN
- GB SAVOIE/JURA 14 STEPS
- DE SAVOIE/JURA 14 STUFEN
- ES SAVOIE/JURA 14 PELDAÑOS
- RO SAVOIE/JURA 14 TREPTE
- LT SAVOIE/JURA 14 PAKOPŲ TIEŠIEMS LAIPTAMS
- PL SAVOIE/JURA 14 STOPNI

**1** **2**



Producent: SOGEM Group, Rue Grimard, 39 B-6061 Montignies-Sur-Sambre (Charleroi) - Belgia  
 Dystrybutor: DOLLE Sp. z o.o., ul. Międzyrzecka 149, 43-382 Bielsko-Biała, Polska  
 Tel. 33 827-24-90, E-mail: biuro@dolle.com

# SAVOIE-JURA



FR SAVOIE/JURA RAMPE TRADITIONELLE "T" BAL. TOURNEES ESC. DROIT

NL SAVOIE/JURA LEUNING TRADITIONEEL "T" BAL. GEDRAAID RECHTS

GB SAVOIE/JURA BANISTER "T" DOWELLED STRAIGHT MODERN STAIR

DE SAVOIE/JURA TRADITIONELLES GELÄNDER "T" GEDREHTE STÄBE GERADE TREPPE

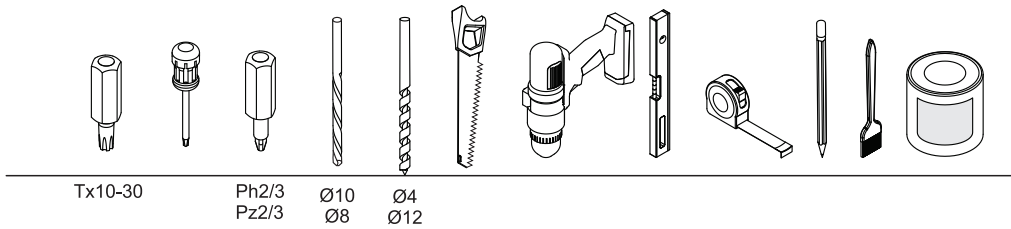
ES SAVOIE/JURA BARANDILLA TRADICIONAL "T" BALAUSTRAS TORNEADOS ESC. RECTA

RO SAVOIE/JURA RAMPA "T" STRUNJITA MODEL MODERN SCARA DREAPTA

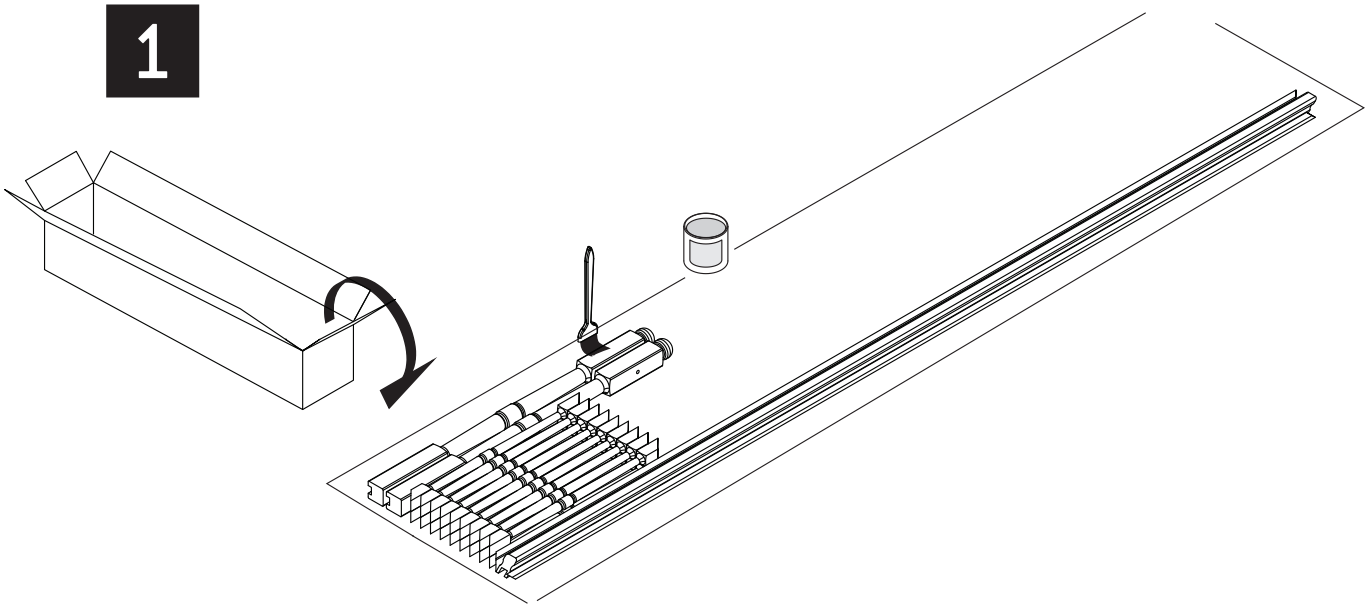
LT SAVOIE/JURA TURÉKLAS "T" TIESIEMS LAIPTAMS PL BALUSTRADA TYP T

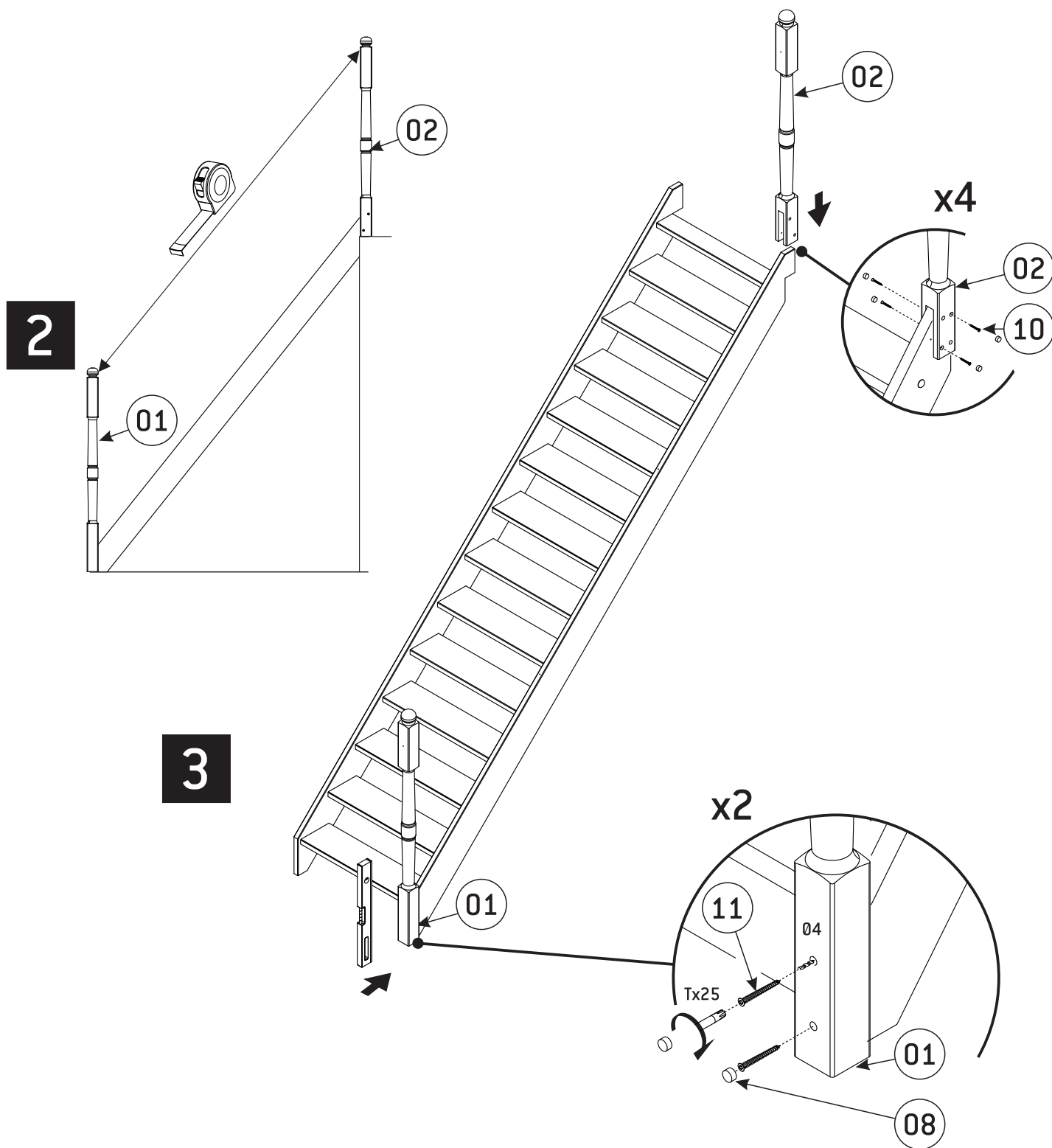


<b>01</b> 70x70x1284 mm x1 	<b>02</b> 70x70x1214 mm x1 	<b>03</b> 44x44x831mm x18 	<b>04</b> 50x50x3800mm x1 	<b>05</b> 32x54x3800 x1 	<b>06</b> 26x16x3800mm x1 	<b>07</b> 45x25x183mm x2 95,6 	<b>09</b> 04x45mm x4+2 	<b>11</b> 05x60 mm x4+2 
						<b>08</b> 012x6mm x12+2 	<b>10</b> 04x40 mm x62+2 	

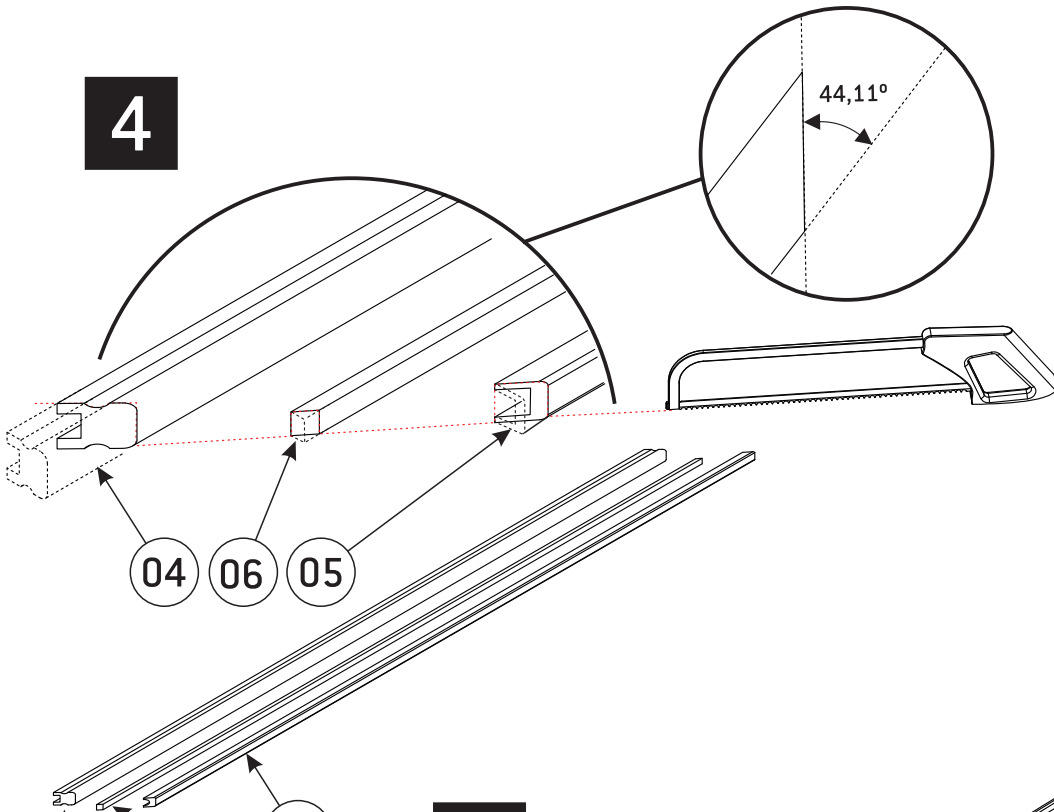


**1**

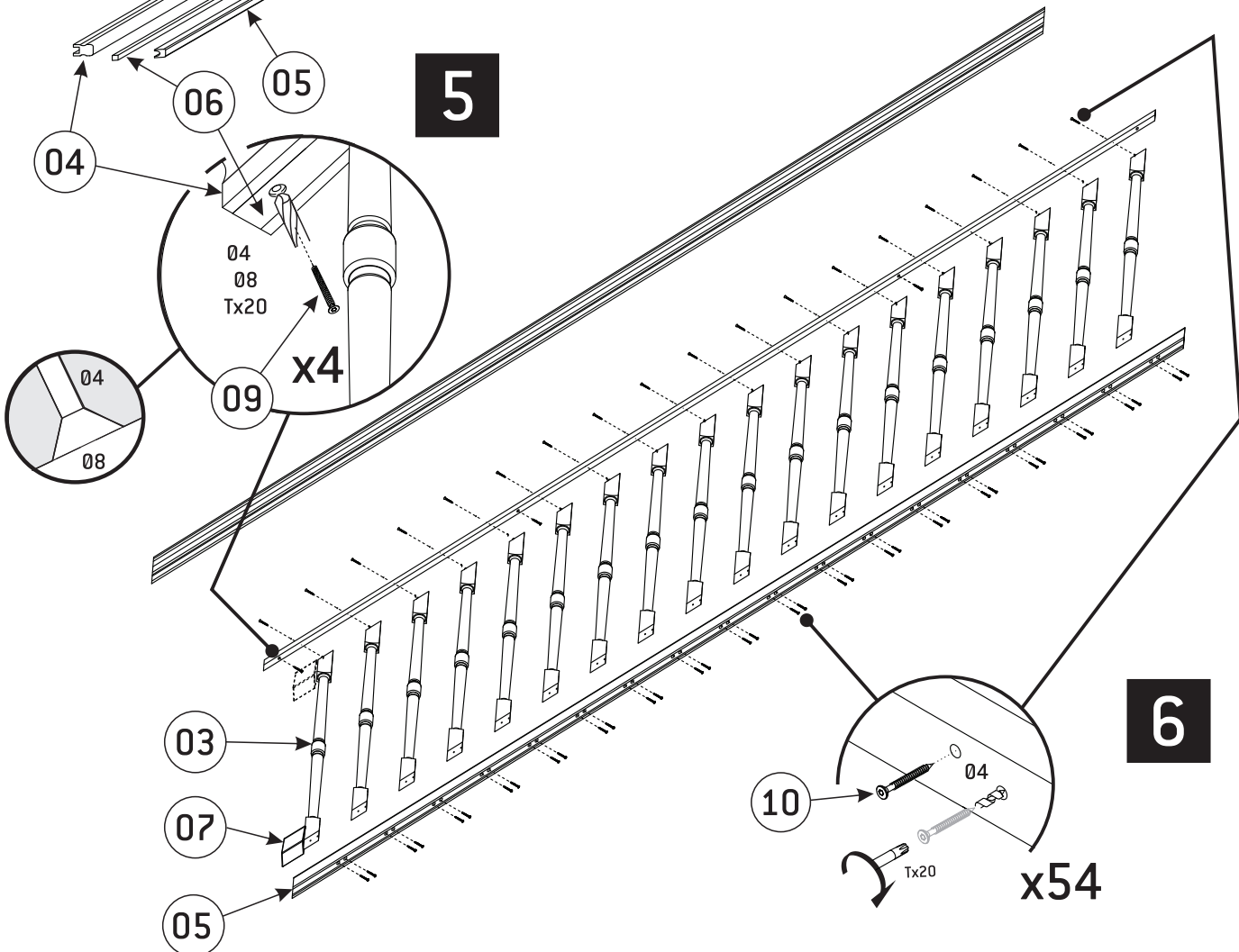




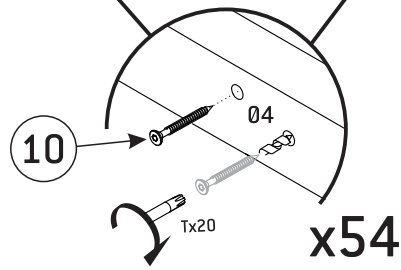
**4**

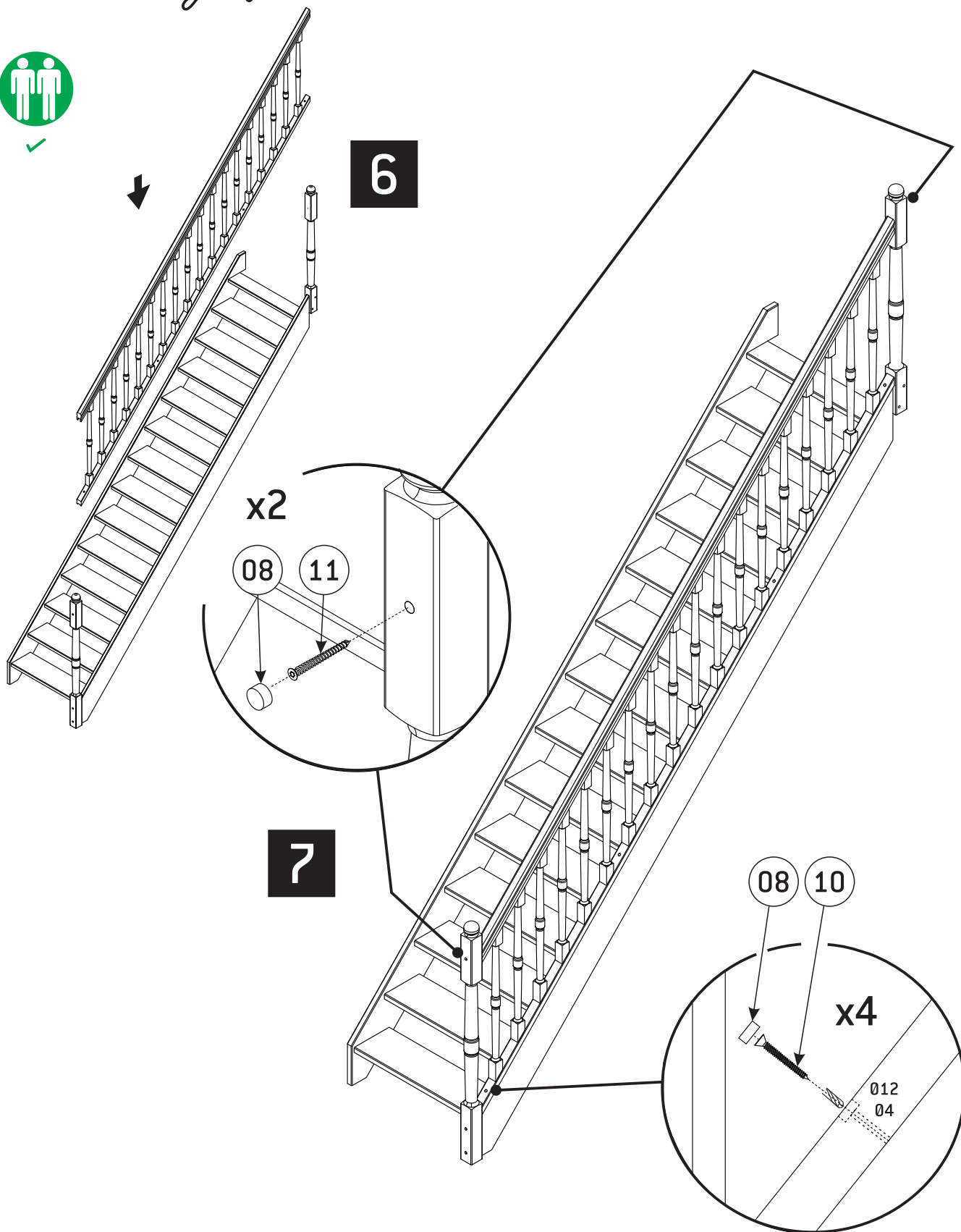


**5**



**6**





Producent: SOGEM Group, Rue Grimard, 39 B-6061 Montignies-Sur-Sambre (Charleroi) - Belgia  
 Dystrybutor: DOLLE Sp. z o.o., ul. Międzyrzecka 149, 43-382 Bielsko-Biała, Polska  
 Tel. 33 827-24-90, E-mail: biuro@dolle.com