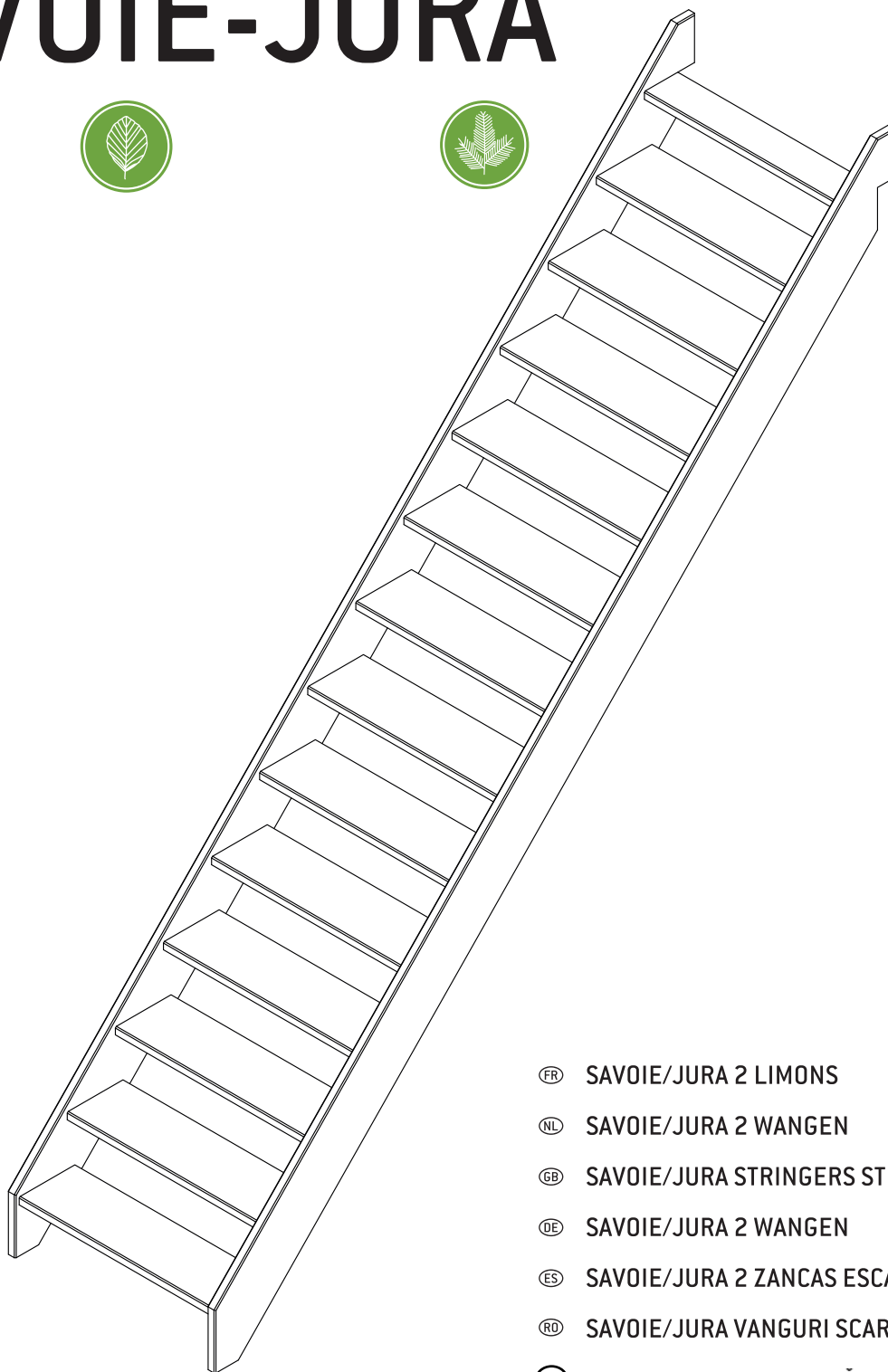
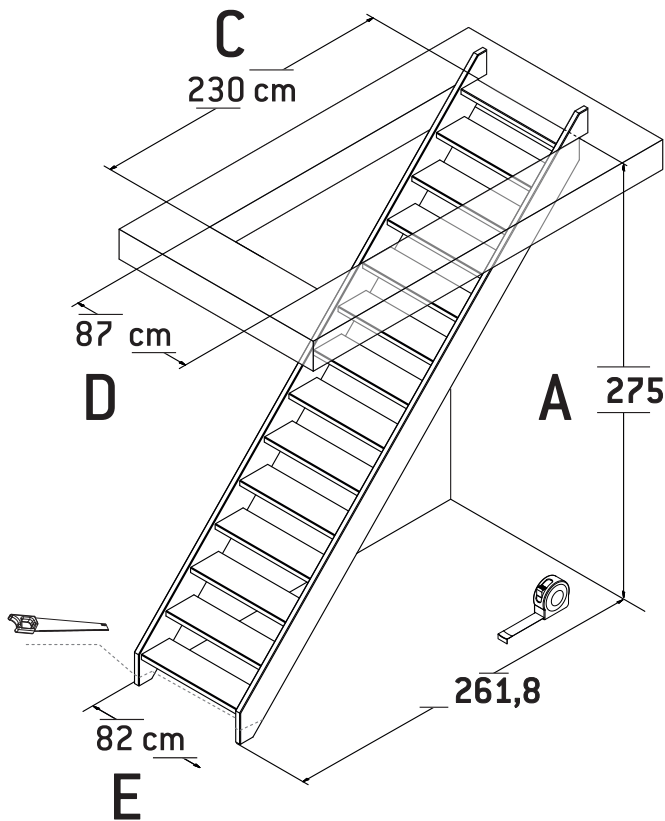


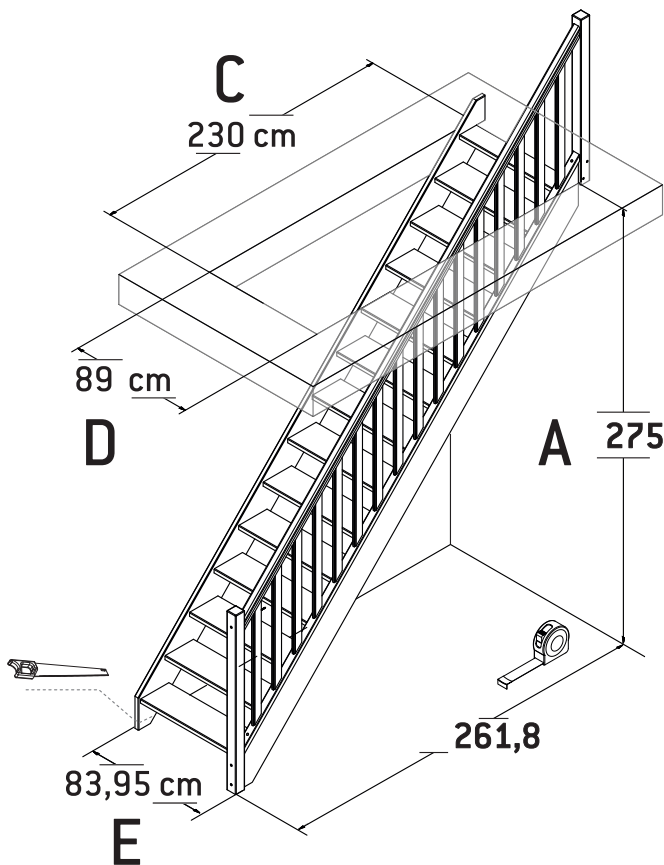
# SAVOIE-JURA



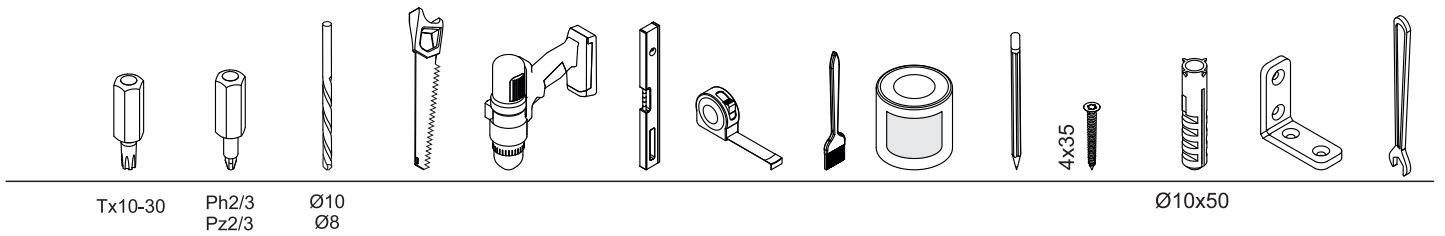
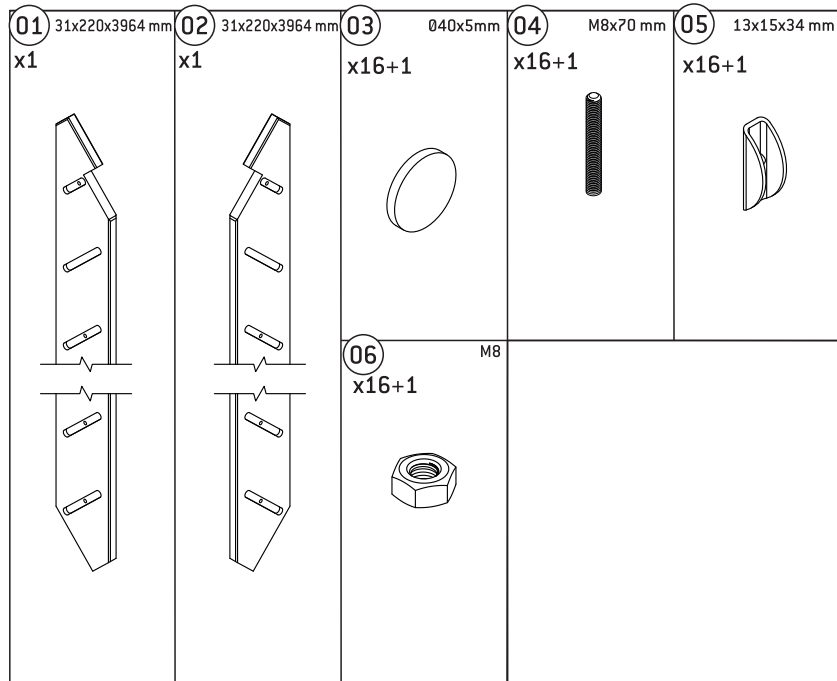
- Ⓡ SAVOIE/JURA 2 LIMONS
- Ⓡ SAVOIE/JURA 2 WANGEN
- Ⓡ SAVOIE/JURA STRINGERS STRAIGHT STAIR
- Ⓡ SAVOIE/JURA 2 WANGEN
- Ⓡ SAVOIE/JURA 2 ZANCAS ESCALERA RECTA
- Ⓡ SAVOIE/JURA VANGURI SCARA DREAPTA
- Ⓡ SAVOIE/JURA TIESIŲ LAIPTŲ ŠONINIAI UŽDENGIMAI
- Ⓡ SAVOIE/JURA SCHODY PROSTE



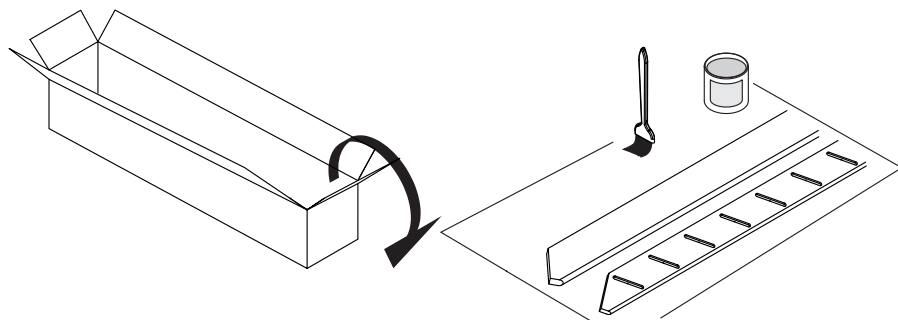
- A .....cm
- B.....cm
- C .....cm
- D .....cm
- E .....cm



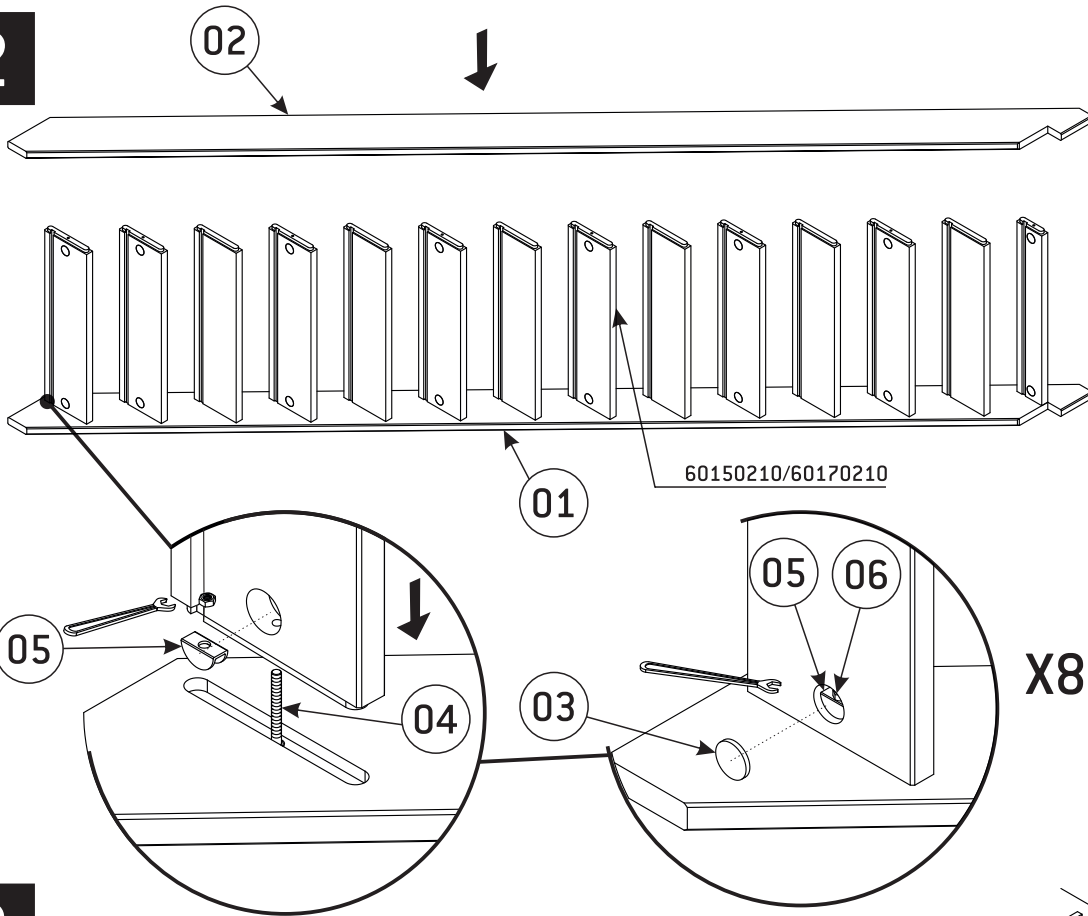
- A .....cm
- B.....cm
- C .....cm
- D .....cm
- E .....cm



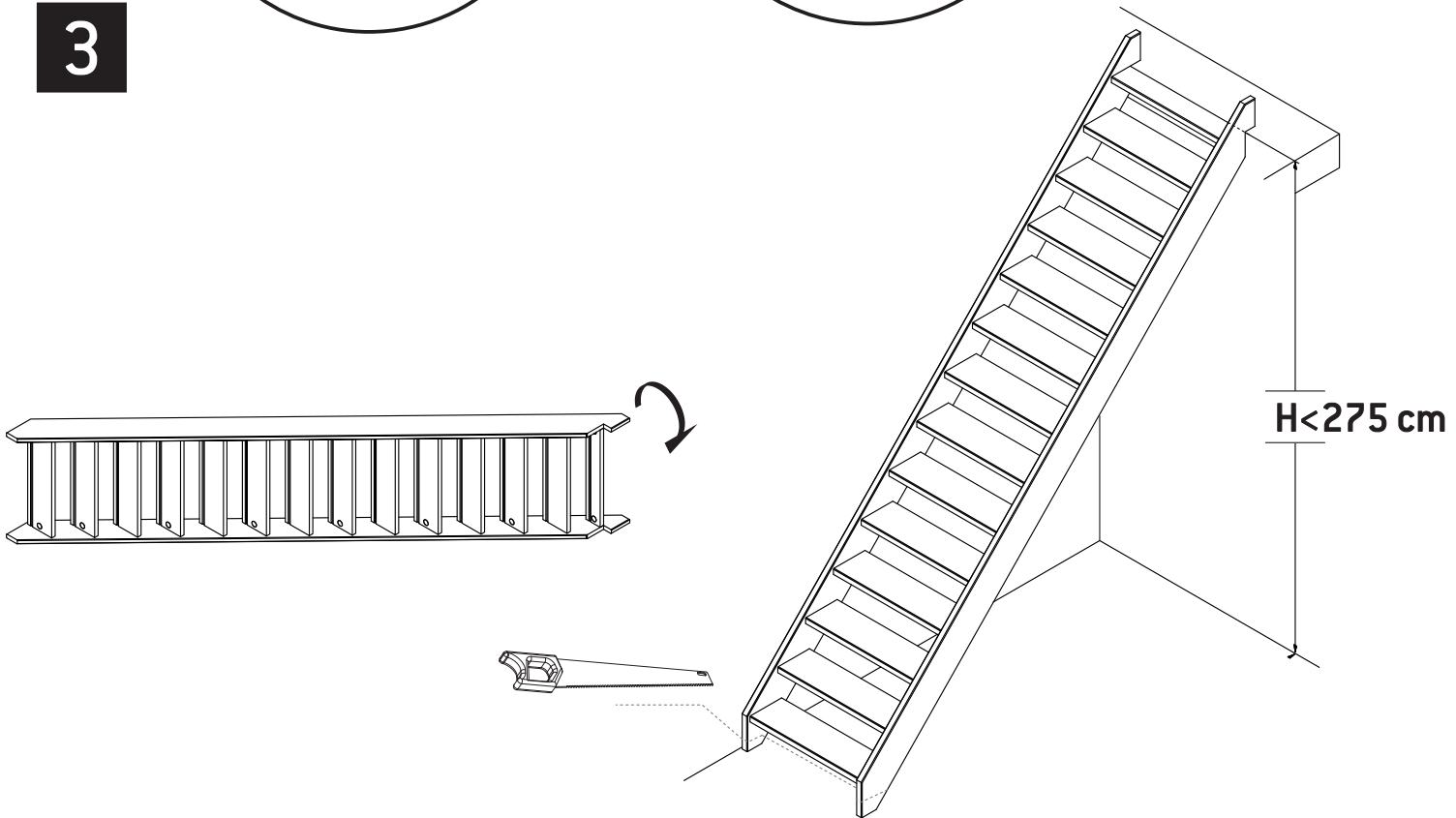
**1**



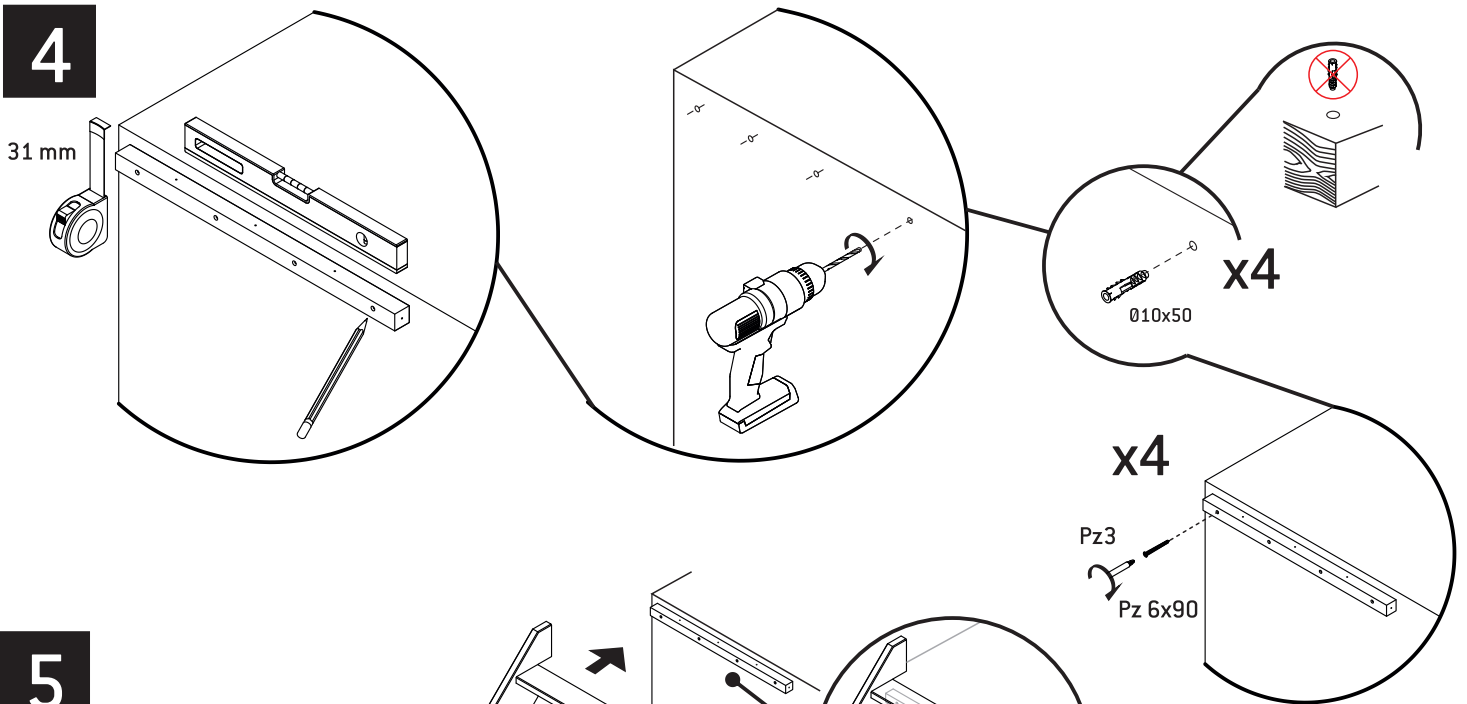
**2**



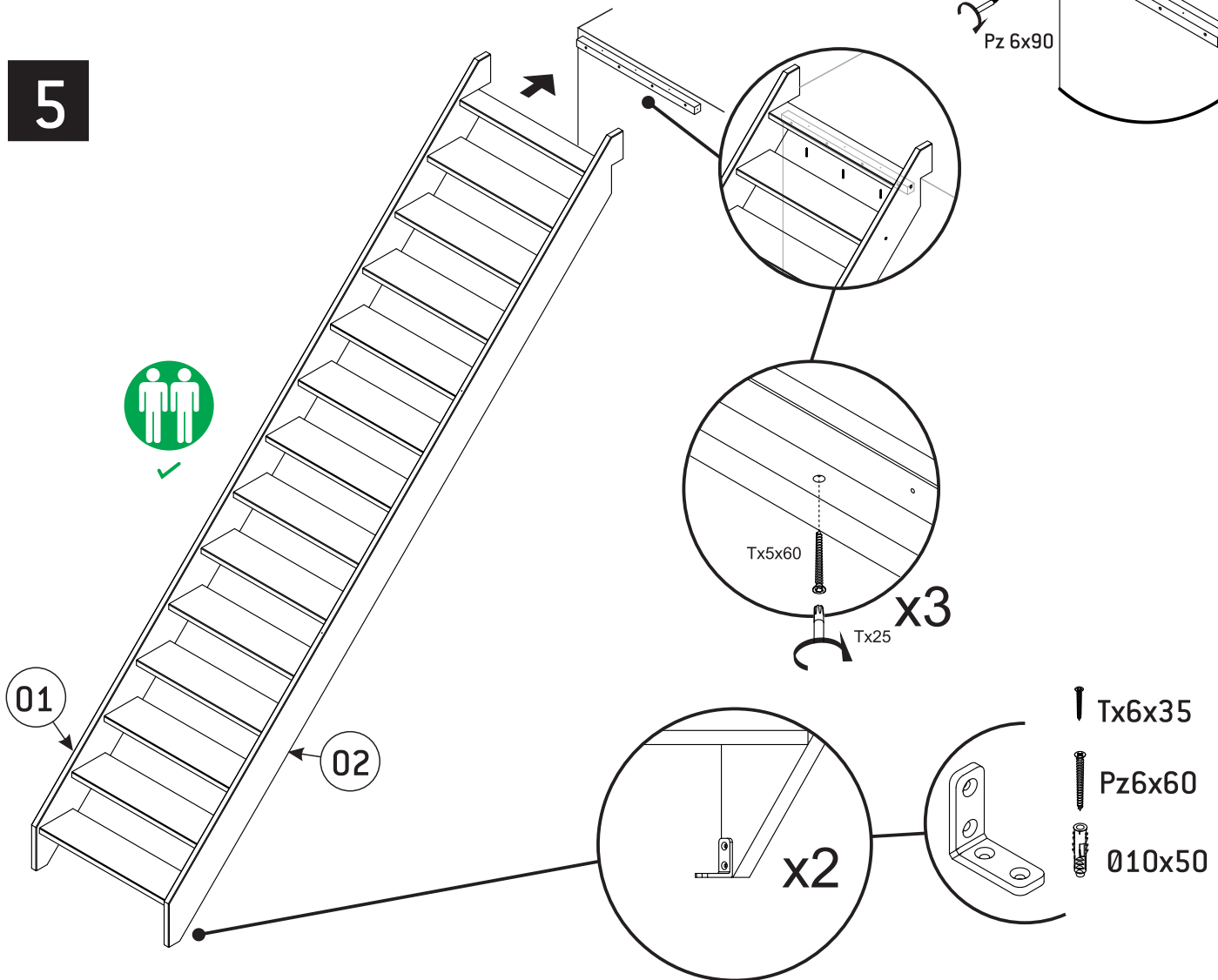
**3**



**4**



**5**



Producent: SOGEM Group, Rue Grimard, 39 B-6061 Montignies-Sur-Sambre (Charleroi) - Belgia  
 Dystrybutor: DOLLE Sp. z o.o., ul. Międzyrzeczka 149, 43-382 Bielsko-Biała, Polska  
 Tel. 33 827-24-90, E-mail: biuro@dolle.com

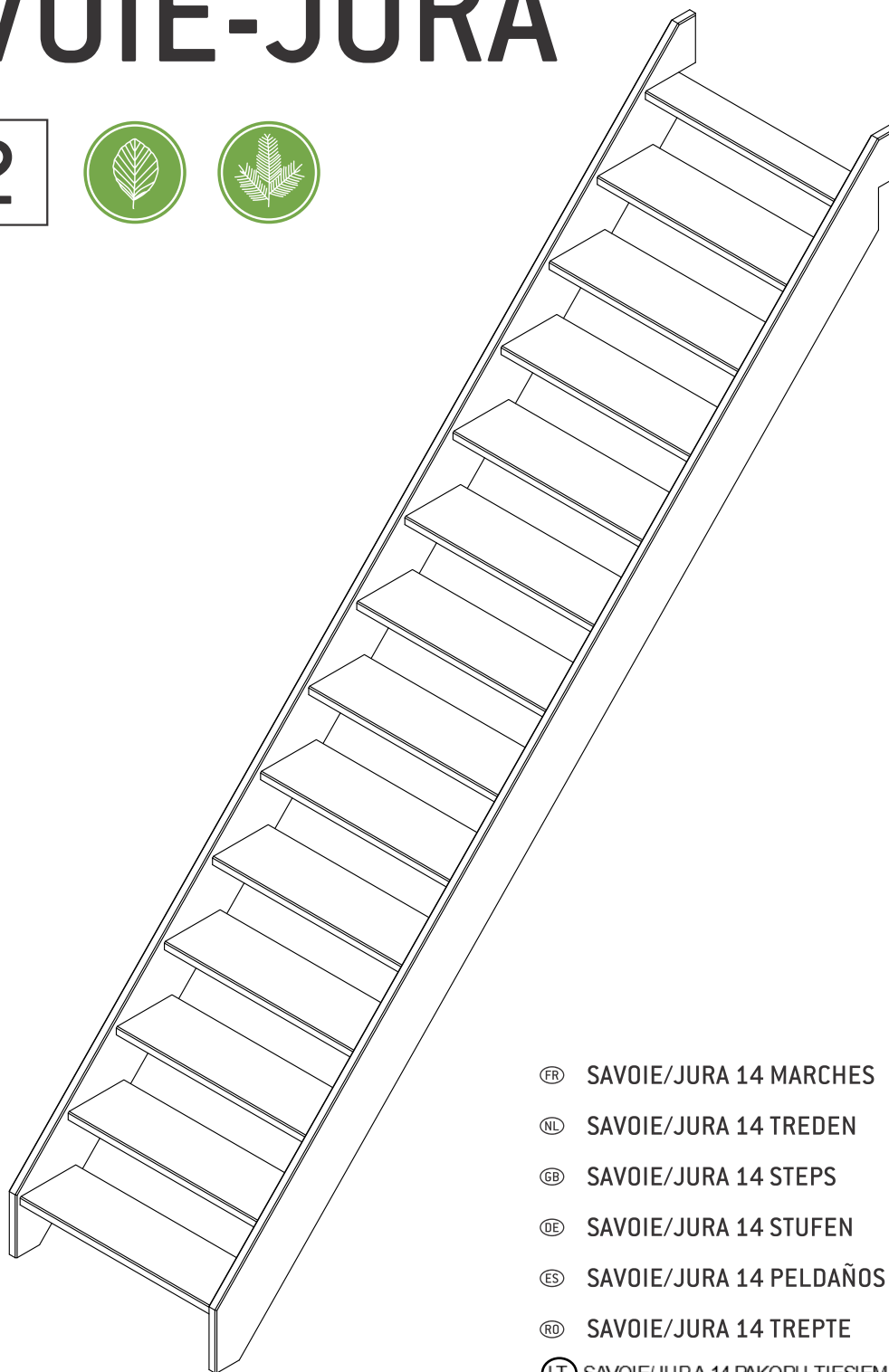
SO GEM

DOLLE®

# SAVOIE-JURA

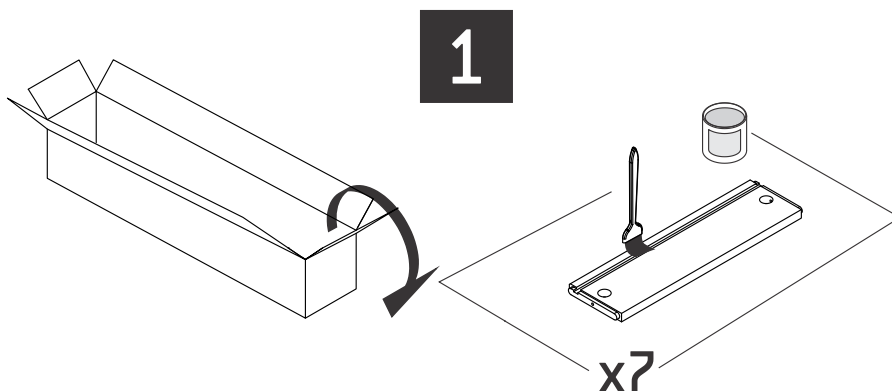
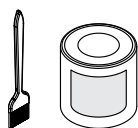
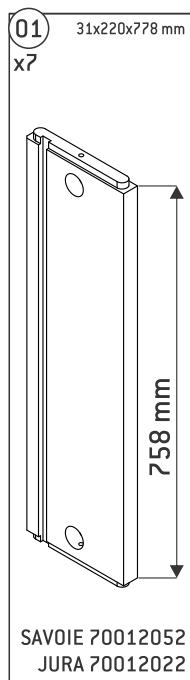
1

2



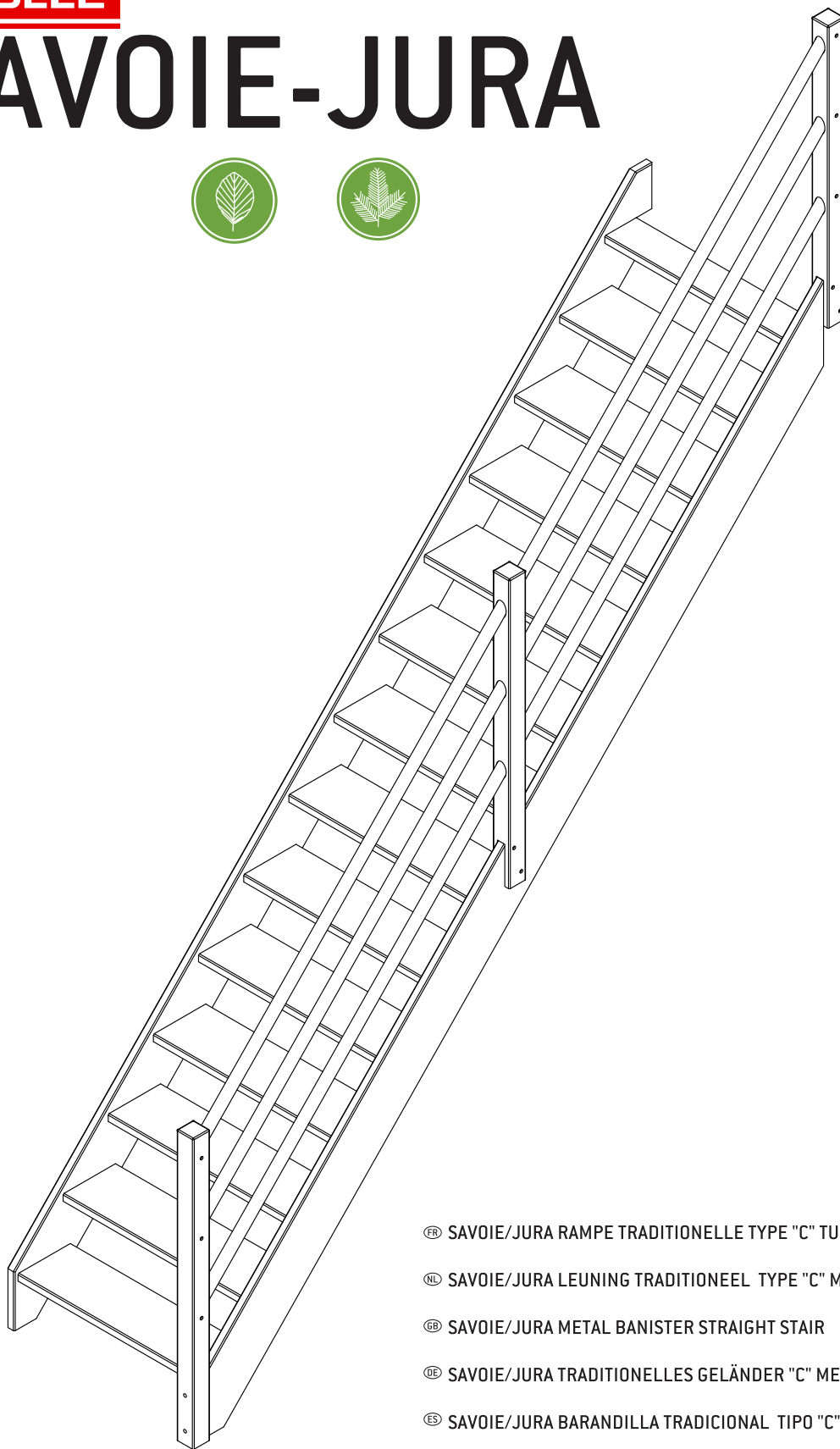
- Ⓡ SAVOIE/JURA 14 MARCHES
- Ⓡ SAVOIE/JURA 14 TREDEN
- Ⓡ SAVOIE/JURA 14 STEPS
- Ⓡ SAVOIE/JURA 14 STUFEN
- Ⓡ SAVOIE/JURA 14 PELDAÑOS
- Ⓡ SAVOIE/JURA 14 TREPTE
- Ⓡ SAVOIE/JURA 14 PAKOPŲ TIESIEMS LAIPTAMS
- Ⓡ 14 STOPNI

**1** **2**



Producent: SOGEM Group, Rue Grimard, 39 B-6061 Montignies-Sur-Sambre (Charleroi) - Belgia  
 Dystrybutor: DOLLE Sp. z o.o., ul. Międzyrzecka 149, 43-382 Bielsko-Biała, Polska  
 Tel. 33 827-24-90, E-mail: biuro@dolle.com

# SAVOIE-JURA



FR SAVOIE/JURA RAMPE TRADITIONELLE TYPE "C" TUBES METAL ESC. DROIT

NL SAVOIE/JURA LEUNING TRADITIONEEL TYPE "C" METALEN BUIZEN RECHT

GB SAVOIE/JURA METAL BANISTER STRAIGHT STAIR

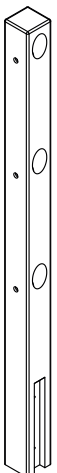





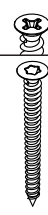
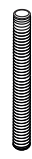




DE SAVOIE/JURA TRADITIONELLES GELÄNDER "C" METALLRÖHRE GERADE TREPPE

ES SAVOIE/JURA BARANDILLA TRADICIONAL TIPO "C" TUBOS METAL ESC. RECTA

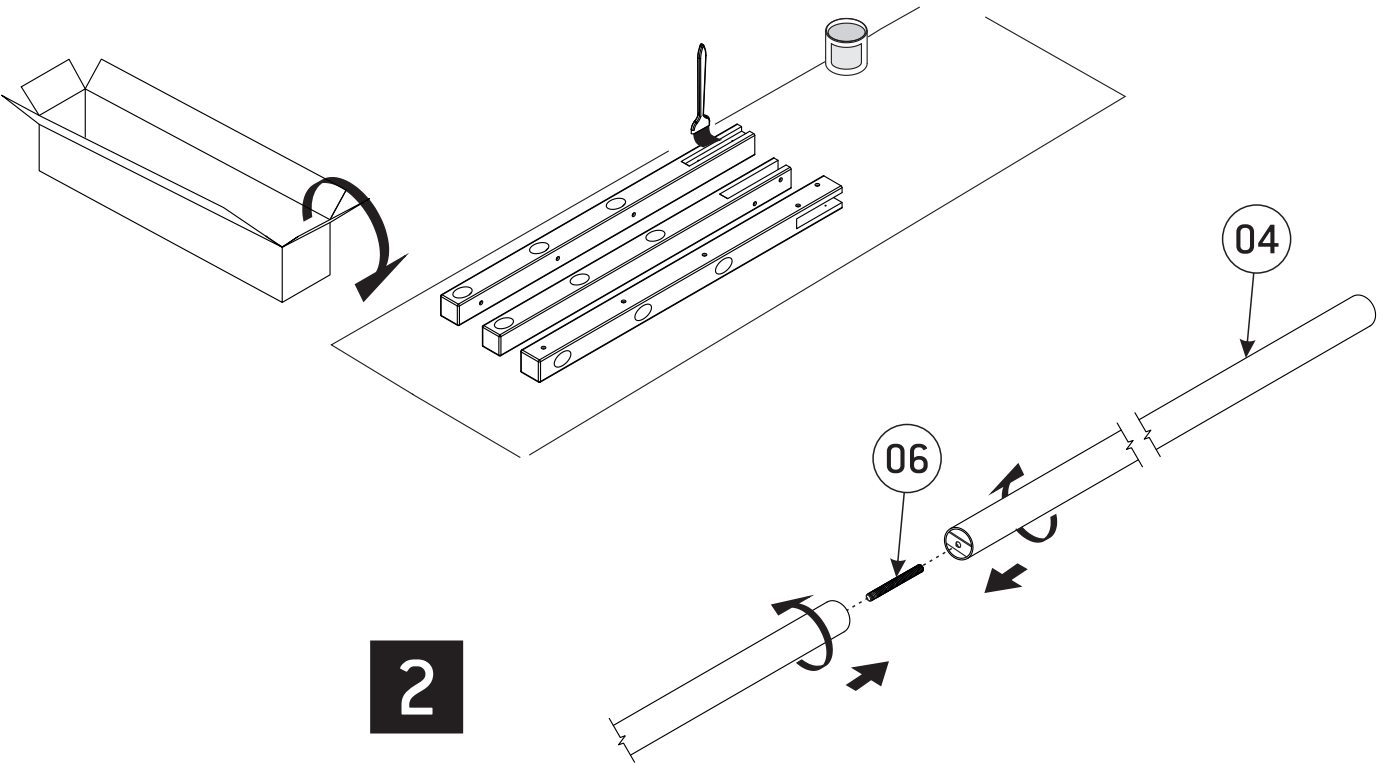
RO SAVOIE/JURA RAMPA METAL SCARA DREAPTA

LT SAVOIE/JURA TURĖKLAS "C" TIESIEMS LAIPTAMS PL SAVOIE/JURA BALUSTRADA TYP C

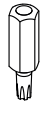
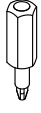


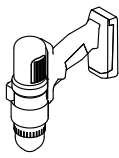

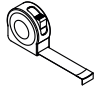





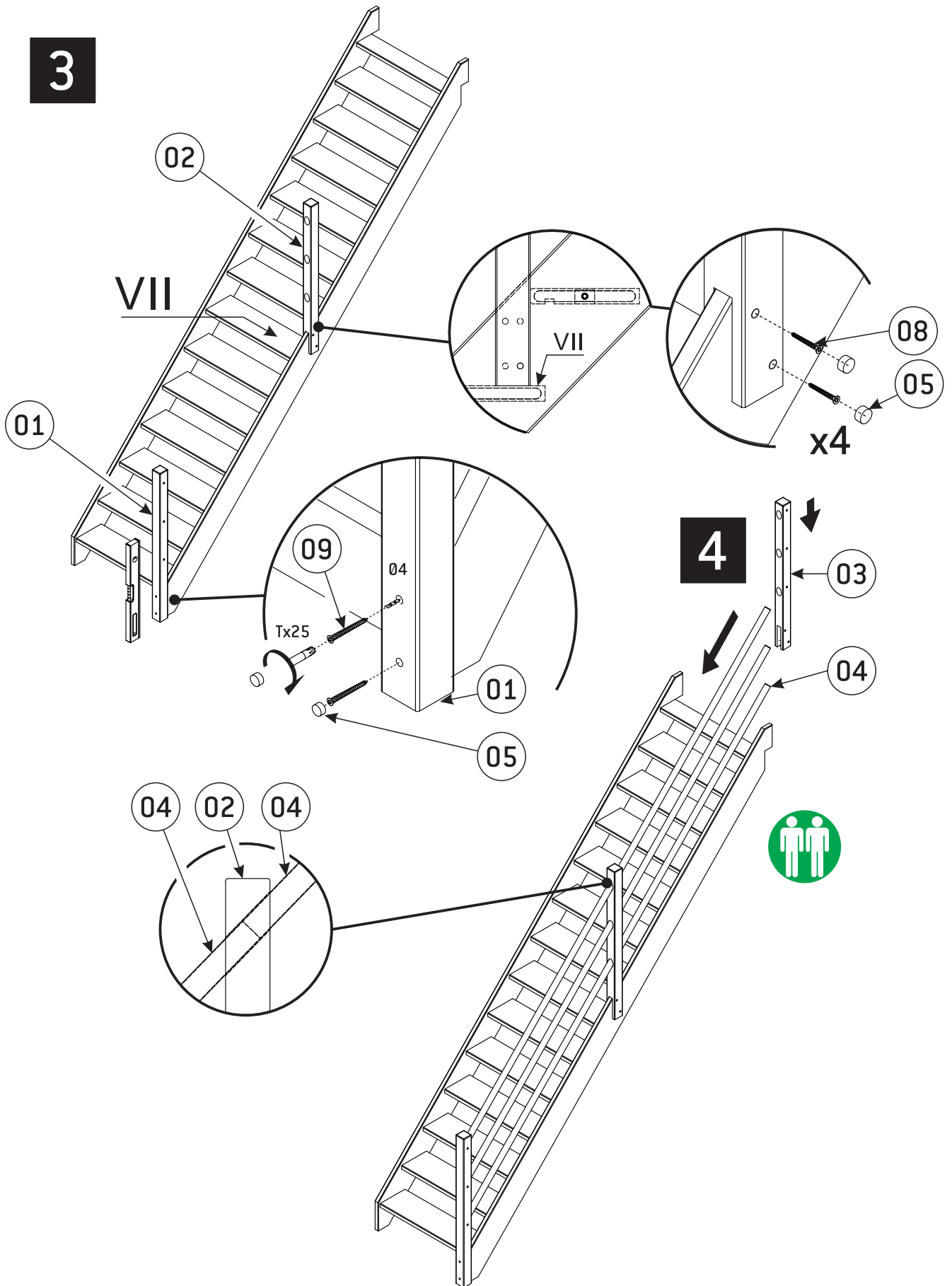
<b>01</b> 70x70x1132 mm x1 	<b>02</b> 70x70x1126 mm x1 	<b>03</b> 70x70x1100 mm x1 	<b>04</b> Ø40x1925 mm x6 	<b>05</b> 12x6 mm x20 	<b>07</b> 4,2x50 mm x6 	<b>09</b> Ø5x60 mm x2 
				<b>06</b> M6x50 mm x3 	<b>08</b> Ø4x40 mm x8 	  

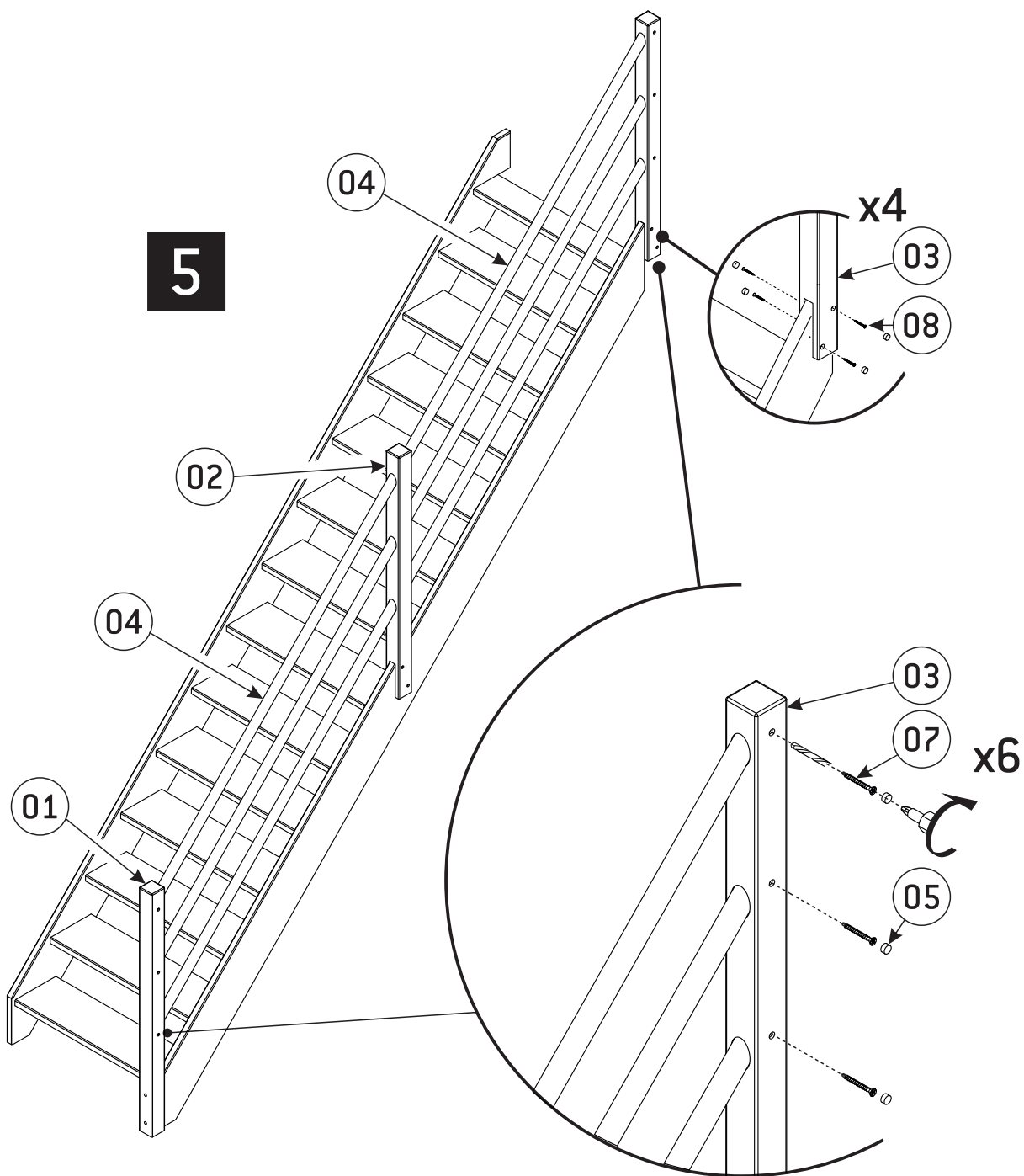
**1**



**2**

- |   |   |   |   |   |   |  |   |   |   |
|---|---|---|---|---|---|--|---|---|---|
|  |  |  |  |  |  |  |  |  |  |
| Tx10-30   | Ph2/3<br>Pz2/3  | Ø3  | Ø4<br>Ø12   |   |   |  |   |   |   |





Producent: SOGEM Group, Rue Grimard, 39 B-6061 Montignies-Sur-Sambre (Charleroi) - Belgia  
 Dystrybutor: DOLLE Sp. z o.o., ul. Międzyrzecka 149, 43-382 Bielsko-Biała, Polska  
 Tel. 33 827-24-90, E-mail: [biuro@dolle.com](mailto:biuro@dolle.com)